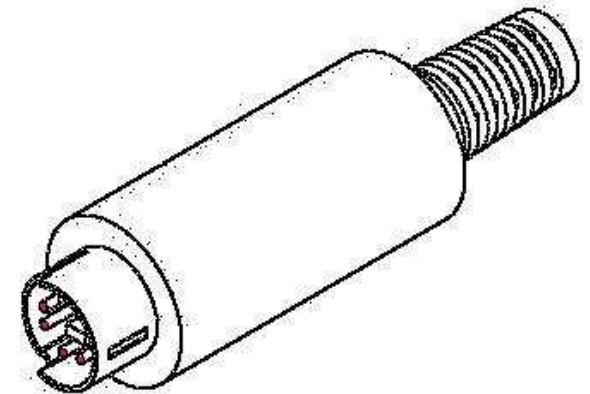
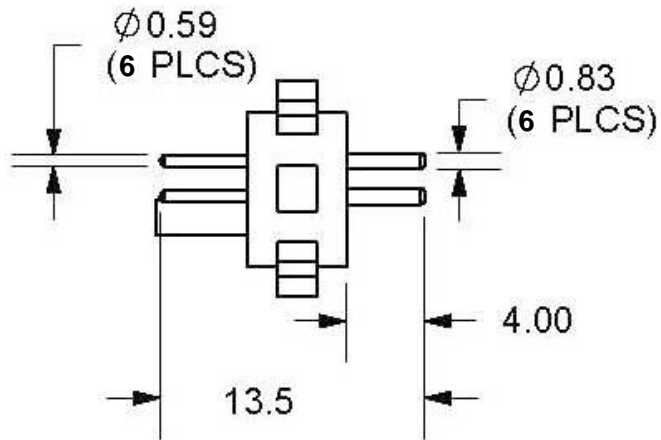


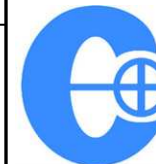
PIN DETAILS



REV	DESCRIPTION	DATE	BY
A			
B			

PART NO.	MINIDIN(6PIN)
DATE	02.14.12
APPROVAL	EB
UNIT	mm
REV	0

PART TITLE	MALE 6 PIN MINI-DIN
------------	---------------------



CONDOR ELECTRONICS, INC.
 T: 408-745-7141 F: 408-745-0439
 780 Montague Expy. Ste. 406
 San Jose, CA 95131 USA
sales@condorelectronics.net