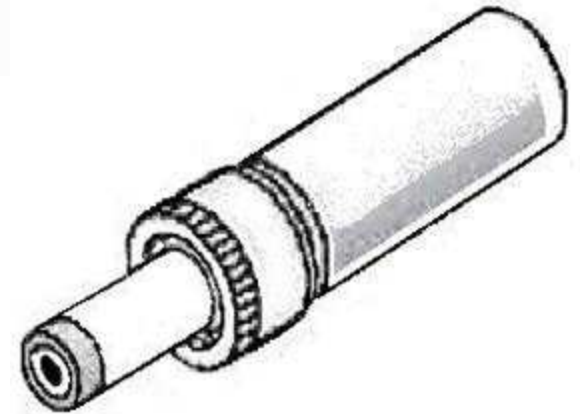
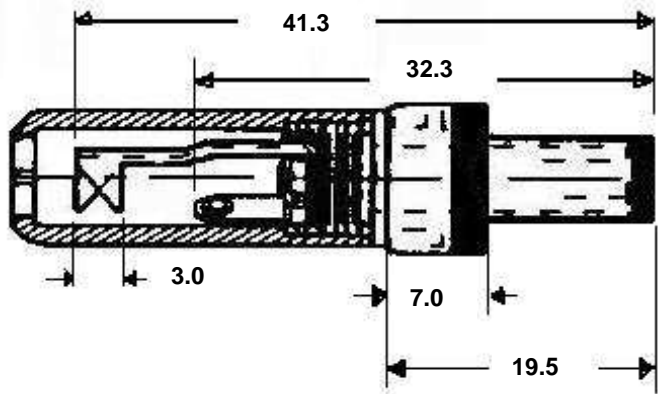


Tolerance is
± .3MM
unless
otherwise
specified.



REV	DESCRIPTION	DATE	BY
A			
B			

PART NO.	S761K
DATE	02.14.12
APPROVAL	EB
UNIT	mm
REV	0

PART I.D.	DC Locking Plug, 2.1 x 5.5 x 12mm, Hard Plastic
-----------	---



CONDOR ELECTRONICS, INC.
T: 408-745-7141 F: 408-745-0439
780 Montague Expy. Ste. 406
San Jose, CA 95131 USA
sales@condorelectronics.net