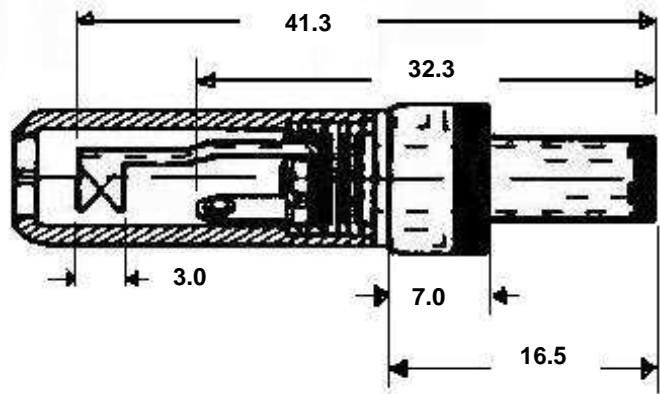
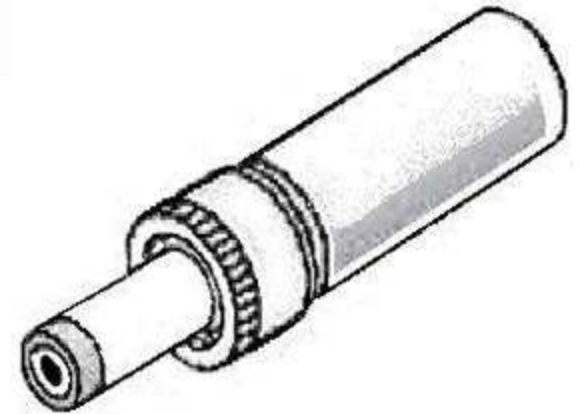


Tolerance is
± .3MM
unless
otherwise
specified.



1111111



REV	DESCRIPTION	DATE	BY
A			
B			

PART NO.	760K
DATE	02.14.12
APPROVAL	EB
UNIT	mm
REV	∅

PART I.D.	DC Locking Plug 2.5 x 5.5 x 9.5mm, Hard Plastic
-----------	--



CONDOR ELECTRONICS, INC.
T: 408-745-7141 F: 408-745-0439
780 Montague Expy. Ste. 406
San Jose, CA 95131 USA
sales@condorelectronics.net