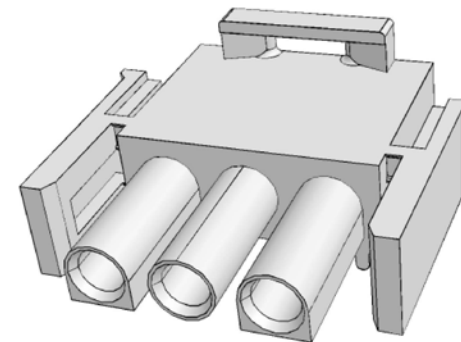
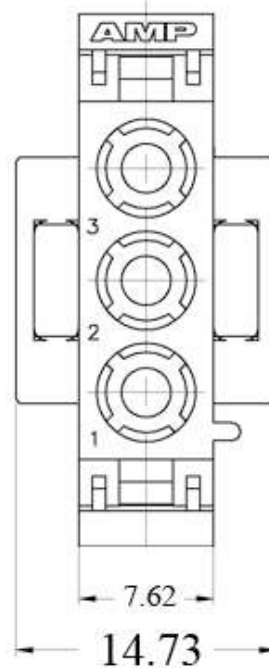
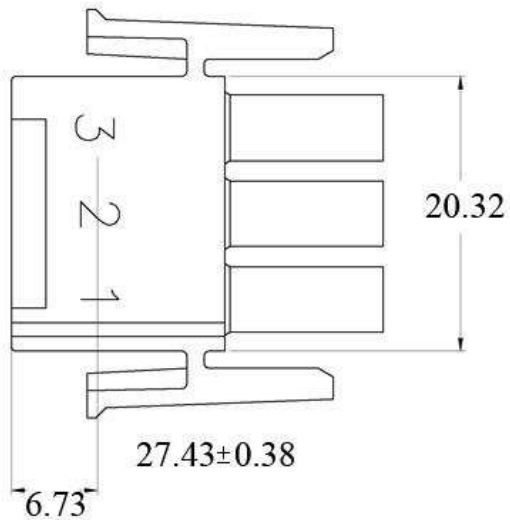




Tolerance is
± .13MM
unless
otherwise
specified.



REV	DESCRIPTION	DATE	BY
A			
B			

PART NO.	AMP : 1-480700-0
DATE	02.14.12
APPROVAL	EB
UNIT	mm
REV	0

PART TITLE	3 Pin Amp Plug, Universal MATE-N-LOCK
	
CONDOR ELECTRONICS, INC. T: 408-745-7141 F: 408-745-0439 780 Montague Expy. Ste. 406 San Jose, CA 95131 USA sales@condorelectronics.net	