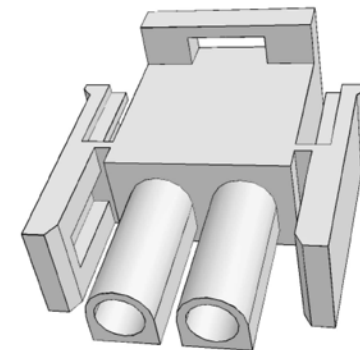
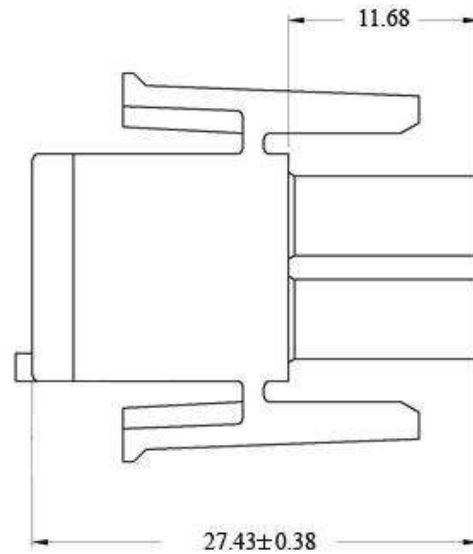
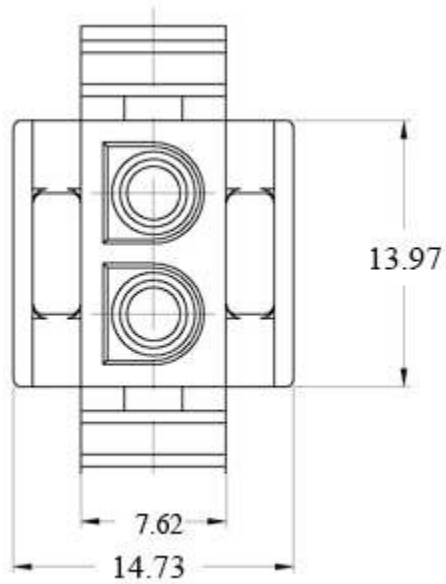




**Tolerance is
± .13MM
unless
otherwise
specified.**



REV	DESCRIPTION	DATE	BY
A			
B			

PART NO.	AMP : 1-480698-0
DATE	02.14.12
APPROVAL	EB
UNIT	mm
REV	∅

PART TITLE	2 Pin Amp Plug, (.250") Universal MATE-N-LOCK
------------	---



CONDOR ELECTRONICS, INC.
 T: 408-745-7141 F: 408-745-0439
 780 Montague Expy. Ste. 406
 San Jose, CA 95131 USA
sales@condorelectronics.net