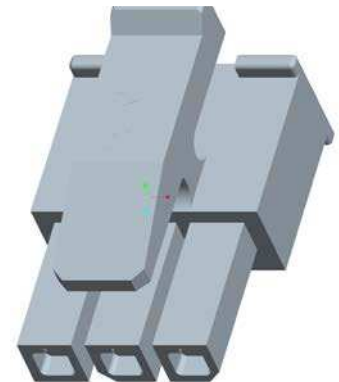
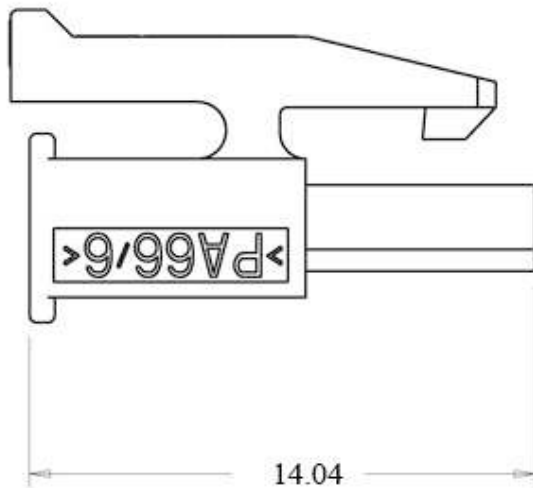


Tolerance is  $\pm .13\text{MM}$  unless otherwise specified.



| REV | DESCRIPTION | DATE | BY |
|-----|-------------|------|----|
| A   |             |      |    |
| B   |             |      |    |

|          |                |
|----------|----------------|
| PART NO. | AMP: 1445022-3 |
| DATE     | 02.14.12       |
| APPROVAL | EB             |
| UNIT     | mm             |
| REV      | 0              |

|            |   |
|------------|---|
| PART TITLE | 3 Pin Amp Receptacle, Black, Single Row |
|------------|---|



**CONDOR ELECTRONICS, INC.**  
 T: 408-745-7141 F: 408-745-0439  
 780 Montague Expy. Ste. 406  
 San Jose, CA 95131 USA  
[sales@condorelectronics.net](mailto:sales@condorelectronics.net)