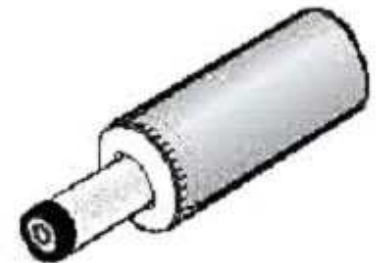
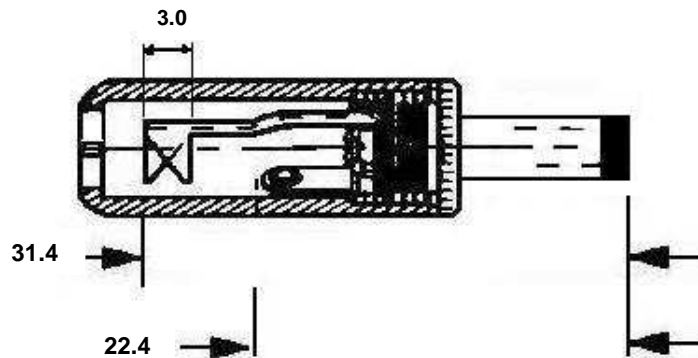
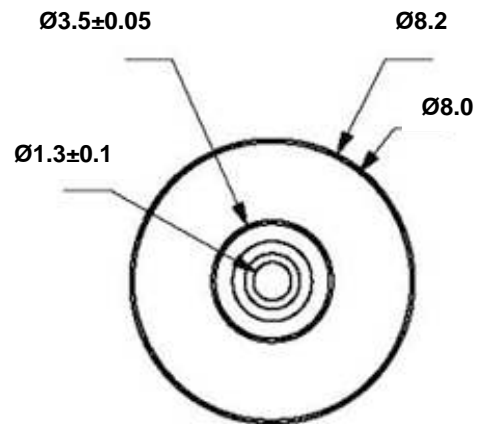
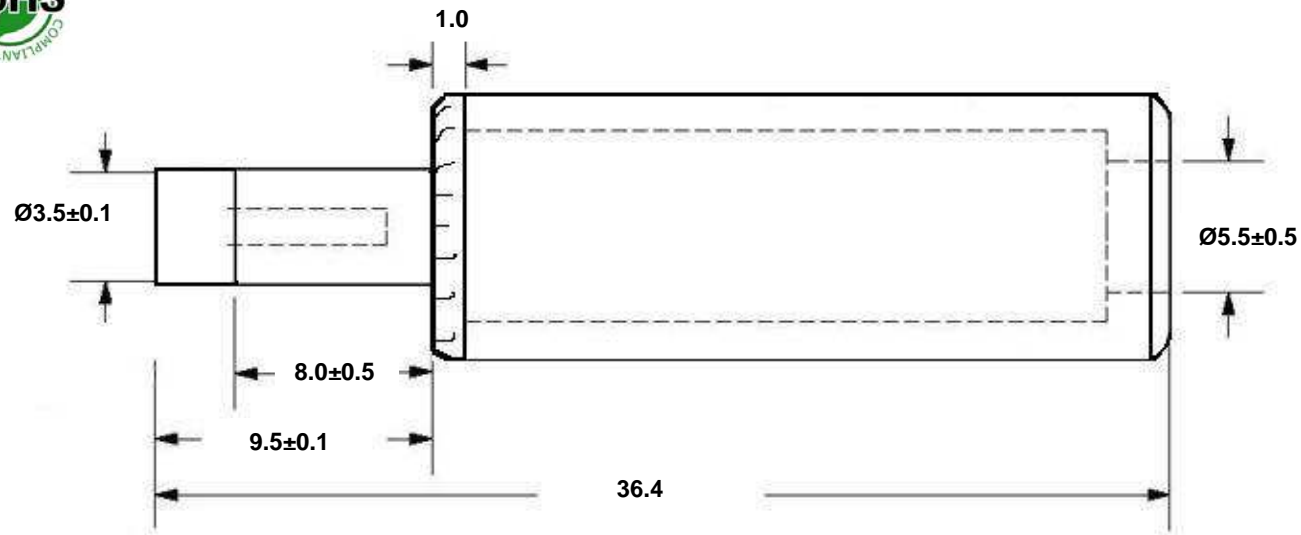




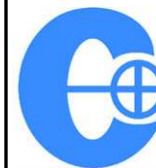
Tolerance is  
± .2MM  
unless  
otherwise  
specified.



| REV | DESCRIPTION | DATE | BY |
|-----|-------------|------|----|
| A   |             |      |    |
| B   |             |      |    |

|          |          |
|----------|----------|
| PART NO. | 860      |
| DATE     | 02.14.12 |
| APPROVAL | EB       |
| UNIT     | mm       |
| REV      | Ø        |

|           |  |
|-----------|--|
| PART I.D. | DC Plug, 1.3 x 3.5 x 9.5mm, Hard Plastic |
|-----------|--|



**CONDOR ELECTRONICS, INC.**  
T: 408-745-7141 F: 408-745-0439  
780 Montague Expy. Ste. 406  
San Jose, CA 95131 USA  
sales@condorelectronics.net