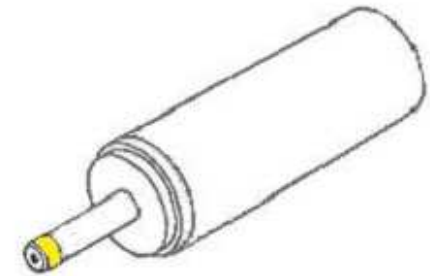
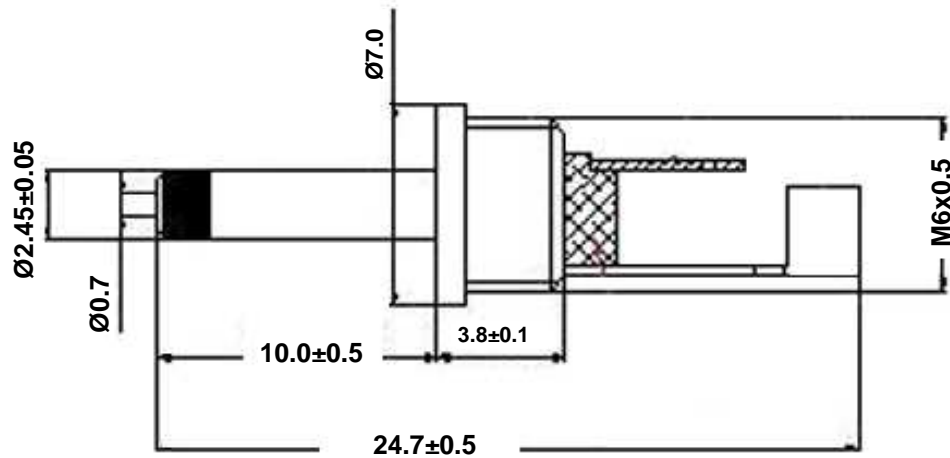
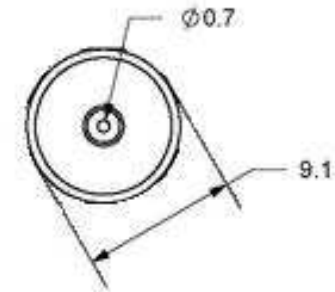
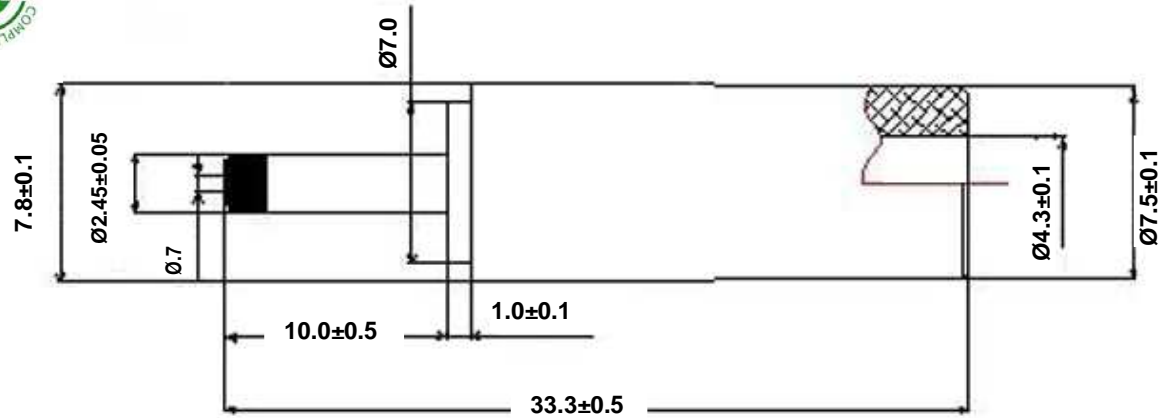




Tolerance is
 X.X± .0.2MM
 X.XX±0.1MM
 X.XXX±0.05
 unless otherwise
 specified.



REV	DESCRIPTION	DATE	BY
A			
B			

PART NO.	.725HP
DATE	02.14.12
APPROVAL	EB
UNIT	mm
REV	Ø

PART I.D.	DC Plug, 0.7 x 2.5 x 9.5mm, Hard Plastic
-----------	---



CONDOR ELECTRONICS, INC.
 T: 408-745-7141 F: 408-745-0439
 780 Montague Expy. Ste. 406
 San Jose, CA 95131 USA
sales@condorelectronics.net