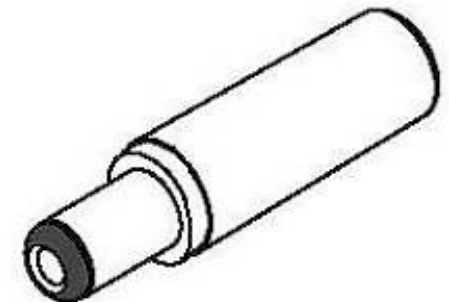
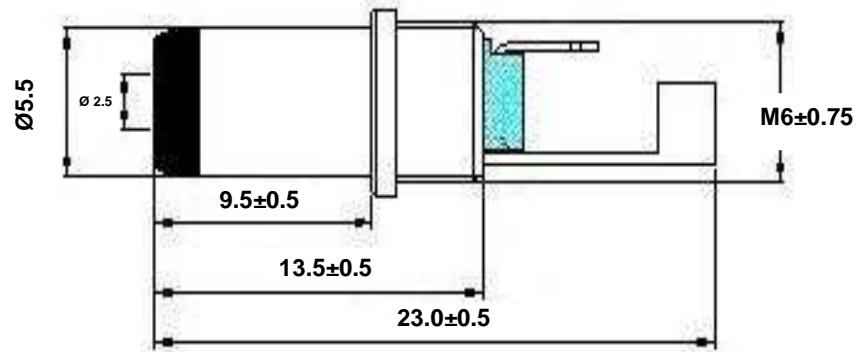
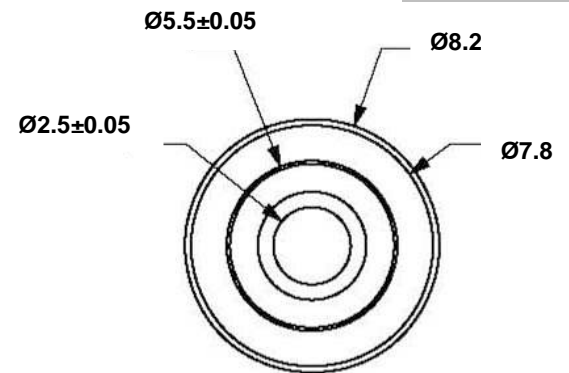
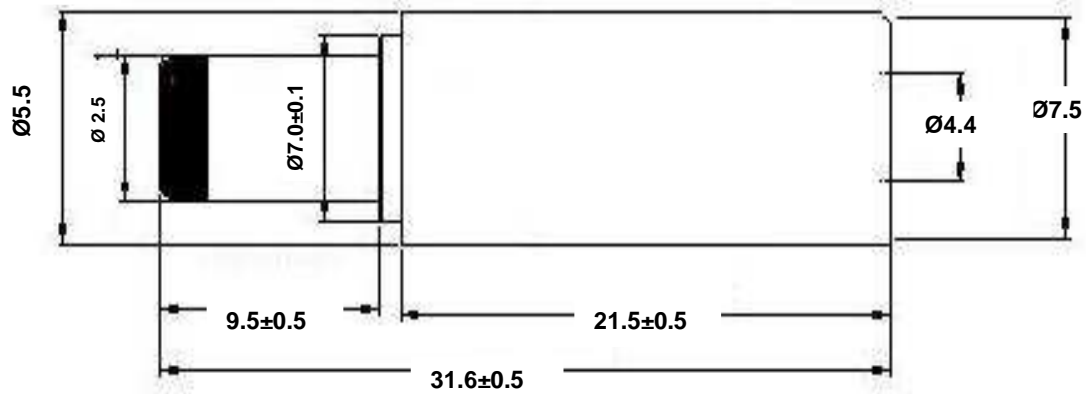




Tolerance is
± .2MM
unless
otherwise
specified.



REV	DESCRIPTION	DATE	BY
A			
B			

PART NO.	206HP
DATE	02.14.12
APPROVAL	EB
UNIT	mm
REV	Ø

PART I.D.	DC Plug, 2.5 x 5.5 x 9.5mm, Hard Plastic
	
CONDOR ELECTRONICS, INC. T: 408-745-7141 F: 408-745-0439 780 Montague Expy. Ste. 406 San Jose, CA 95131 USA sales@condorelectronics.net	