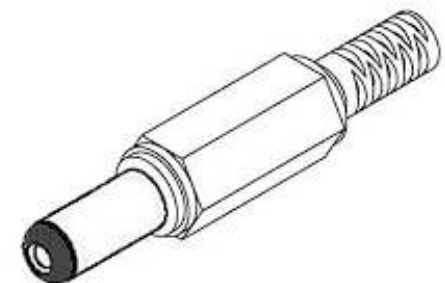
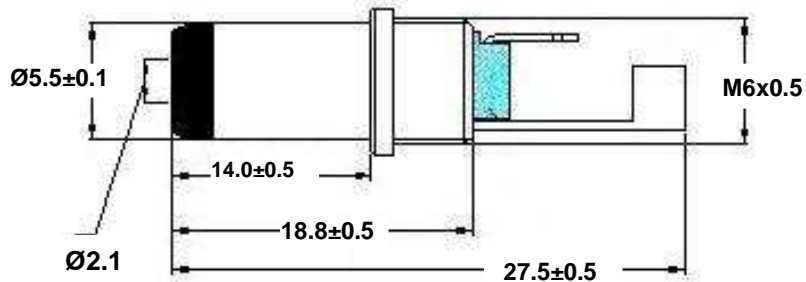
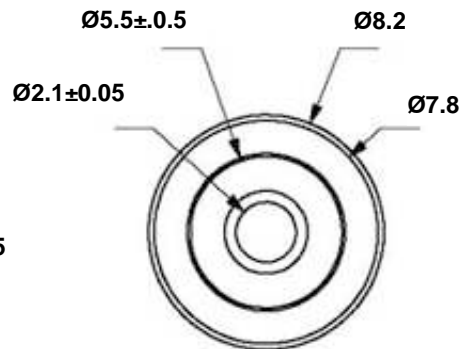
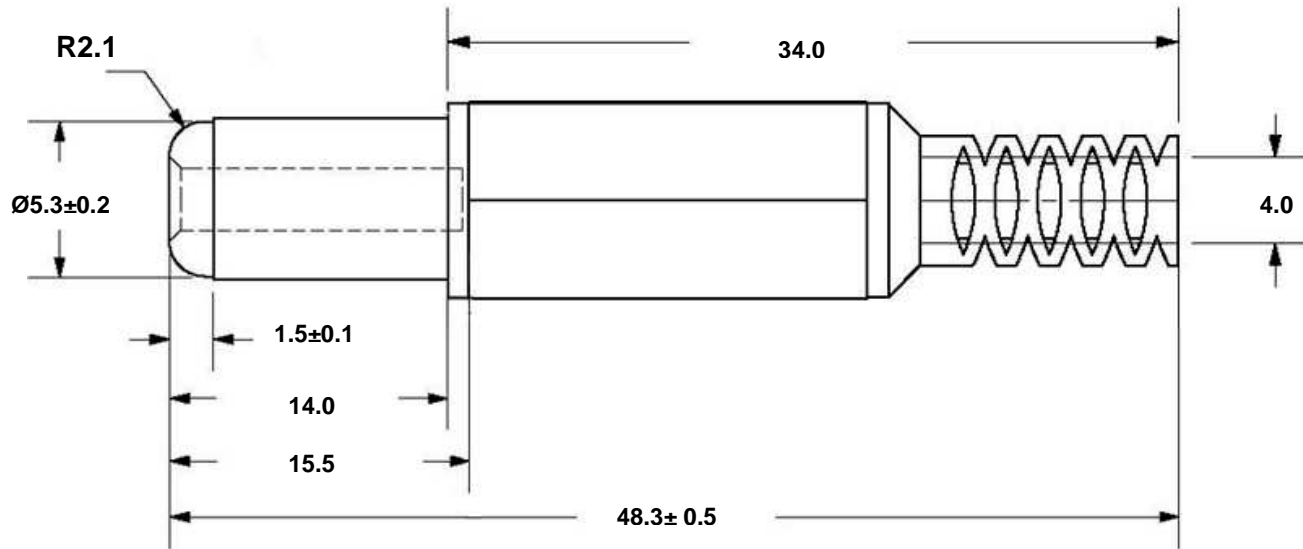




Tolerance is
± .2MM
unless
otherwise
specified.



REV	DESCRIPTION	DATE	BY
A			
B			

PART NO.	205A
DATE	02.15.12
APPROVAL	EB
UNIT	mm
REV	Ø

PART I.D.	DC Plug 2.1 x 5.5 x 14.0mm, Octangle
-----------	--------------------------------------



CONDOR ELECTRONICS, INC.
T: 408-745-7141 F: 408-745-0439
780 Montague Expy. Ste. 406
San Jose, CA 95131 USA
sales@condorelectronics.net