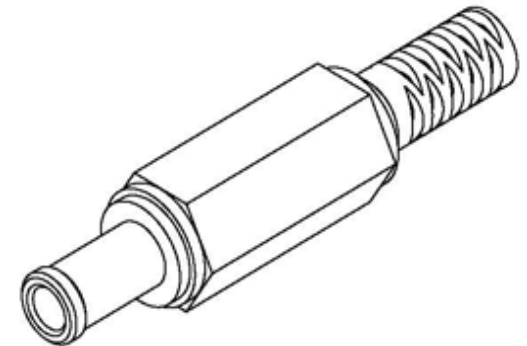
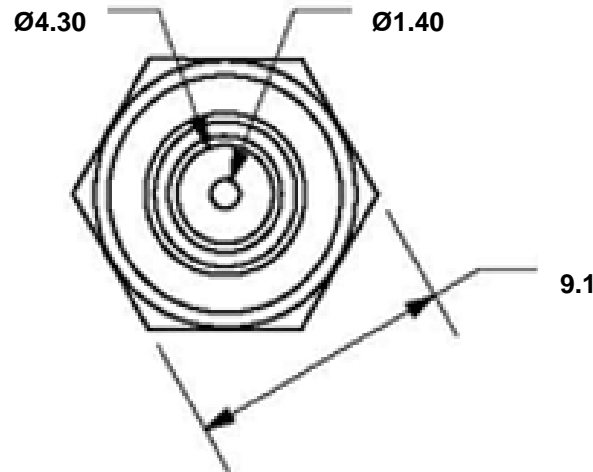
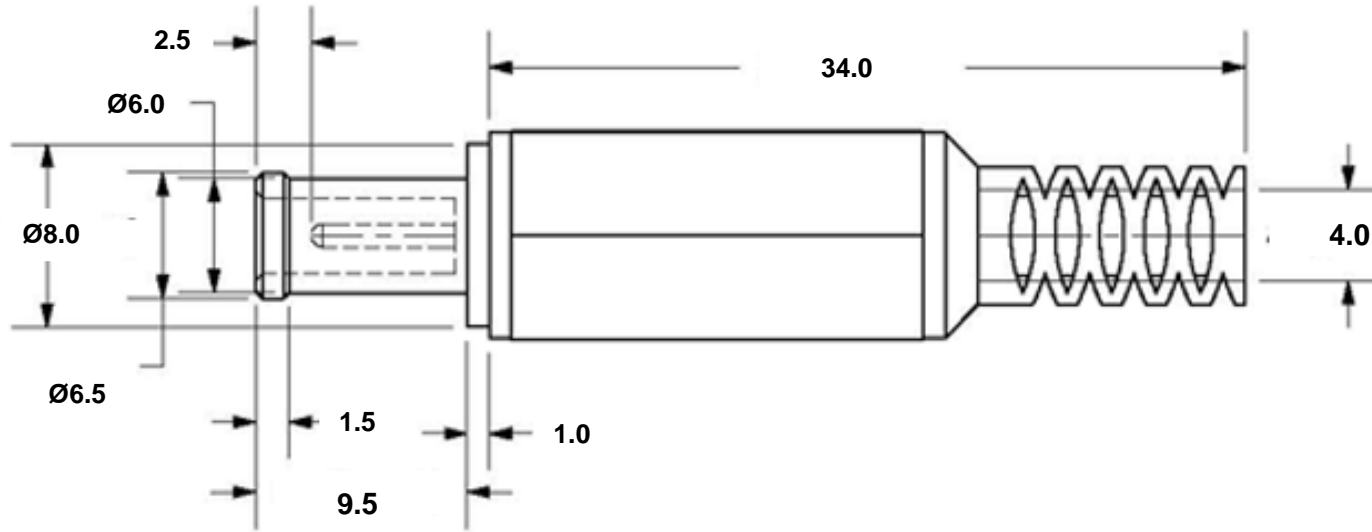




Tolerance is
± .2MM
unless
otherwise
specified.



PART	DC Plug, 1.4 x 4.3 x 6.5mm,
I.D.	Octangle

PART NO	109 (EIAJ-5)
DATE	02.15.12
APPROVAL	EB
UNIT	mm
REV	Ø



CONDOR ELECTRONICS, INC.
T: 408-745-7141 F: 408-745-0439
780 Montague Expy. Ste. 406
San Jose, CA 95131 USA
sales@condorelectronics.net

REV	DESCRIPTION	DATE	BY
A			
B			