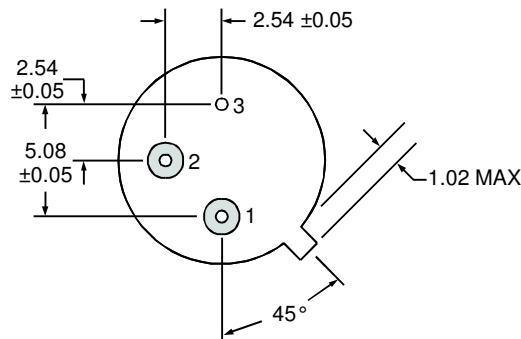
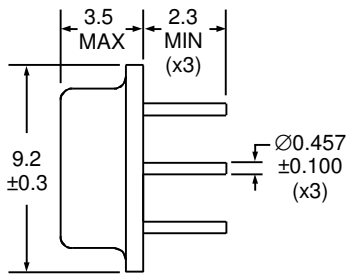


STANDARD SPECIFICATIONS

| Parameter | Condition | Minimum | Typical | Maximum |
|--|-----------|---------|---------|---------|
| Center Frequency (MHz): | - | 639.900 | 640.000 | 640.100 |
| Insertion Loss (dB): | at 640MHz | - | 5.00 | 10.00 |
| Temperature Coefficient of Frequency (ppm/°C ²): | - | 0.027 | 0.032 | 0.037 |
| Turnover Temperature (°C): | - | 11 | 26 | 41 |
| Frequency Aging (ppm/yr): | - | - | - | 10 |
| DC Insulation Resistance (MΩ): | - | 1.0 | - | - |
| Operating Temperature Range (°C): | - | 0 | 25 | 70 |
| Storage Temperature Range (°C): | - | -40 | 25 | 85 |
| DC Voltage (Vdc): | - | - | - | 10.0 |
| AC Voltage (Vdd): | - | - | - | 10.0 |

Comments: Unless otherwise specified, all of the above specifications are under the following conditions:
Operating Temperature = 25°C

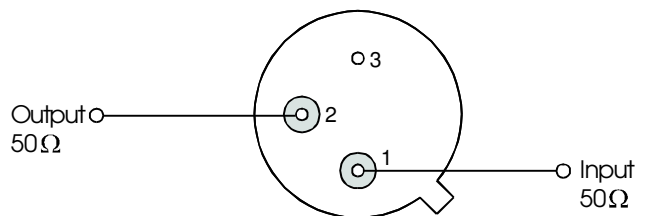
MECHANICAL DIMENSIONS



| Pin | Function |
|-----|----------|
| 1 | Input |
| 2 | Output |
| 3 | Ground |

ALL DIMENSIONS
IN MILLIMETERS

MATCHING NETWORK CONFIGURATION



MARKING GUIDE

(Line #1) **ARE**
(Line #2) **E00FF**



Part Number: AREE00FF

3545-B Cadillac Avenue • Costa Mesa, CA 92626-1401 • (714) 918-4752 • Fax (714) 918-4760