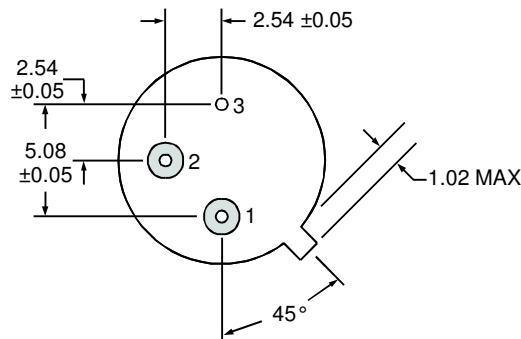
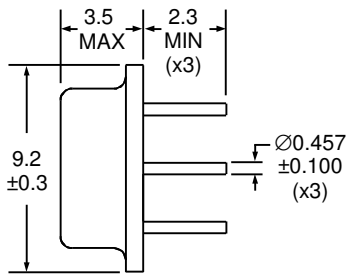


## STANDARD SPECIFICATIONS

Parameter	Minimum	Typical	Maximum
Center Frequency (MHz):	499.925	500.000	500.075
Insertion Loss (dB):	-	1.50	2.50
Temperature Coefficient of Frequency (ppm/°C <sup>2</sup> ):	-	0.032	-
Turnover Temperature (°C):	-	39	-
Frequency Aging (ppm/yr):	-	-	10
DC Insulation Resistance (MΩ):	1.0	-	-
Operating Temperature Range (°C):	-40	25	85
Storage Temperature Range (°C):	-45	25	85
DC Voltage (Vdc):	-	-	10.0
AC Voltage (Vdd):	-	-	10.0

**Comments:** Unless otherwise specified, all of the above specifications are under the following conditions:  
Operating Temperature = 25 °C

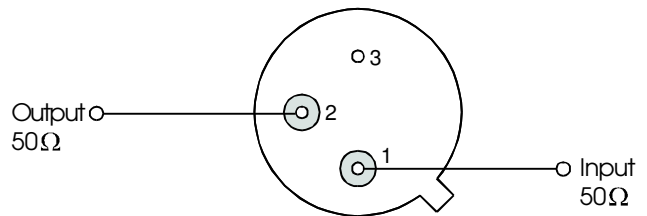
## MECHANICAL DIMENSIONS



Pin	Function
1	Input
2	Output
3	Ground

ALL DIMENSIONS  
IN MILLIMETERS

## MATCHING NETWORK CONFIGURATION



## MARKING GUIDE

(Line #1) **ARE**  
(Line #2) **E00E2**



**Part Number:** AREE00E2

3545-B Cadillac Avenue • Costa Mesa, CA 92626-1401 • (714) 918-4752 • Fax (714) 918-4760