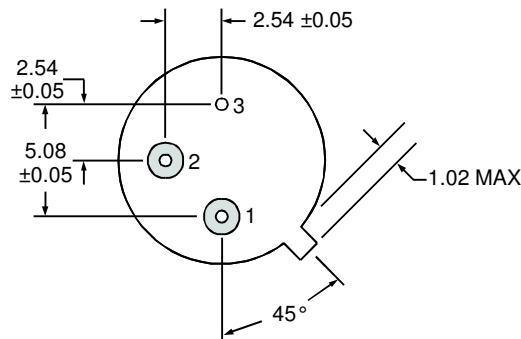
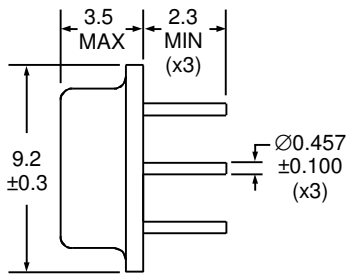


STANDARD SPECIFICATIONS

Parameter	Condition	Minimum	Typical	Maximum
Center Frequency (MHz):	-	313.175	313.250	313.325
Insertion Loss (dB):	-	-	1.7	2.5
Temperature Coefficient of Frequency (ppm/°C ²):	-	-	0.032	-
Turnover Temperature (°C):	-	-	25	-
Frequency Aging (ppm/yr):	-	-	-	10.0
DC Insulation Resistance (MΩ):	-	1.0	-	-
Operating Temperature Range (°C):	-	-40	25	85
Storage Temperature Range (°C):	-	-45	25	85
DC Voltage (Vdc):	-	-	-	10.0
AC Voltage (Vpp):	-	-	-	10.0

Comments: Unless otherwise specified, all of the above specifications are under the following conditions:
Operating Temperature = 25°C

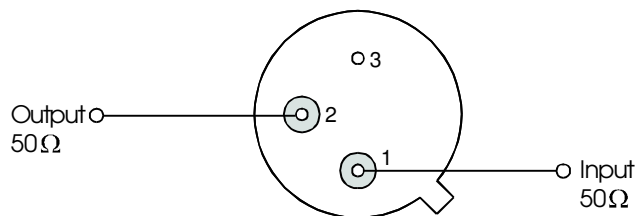
MECHANICAL DIMENSIONS



Pin	Function
1	Input
2	Output
3	Ground

ALL DIMENSIONS
IN MILLIMETERS

MATCHING NETWORK CONFIGURATION



MARKING GUIDE

(Line #1) **ARE**
(Line #2) **E0087**



Part Number: AREE0087

3545-B Cadillac Avenue • Costa Mesa, CA 92626-1401 • (714) 918-4752 • Fax (714) 918-4760