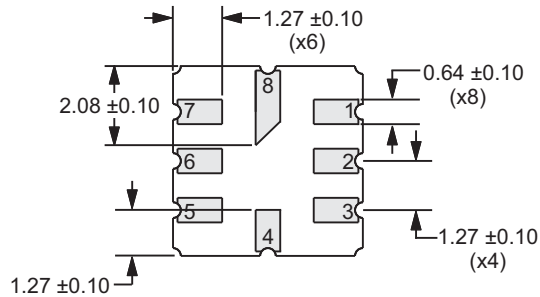
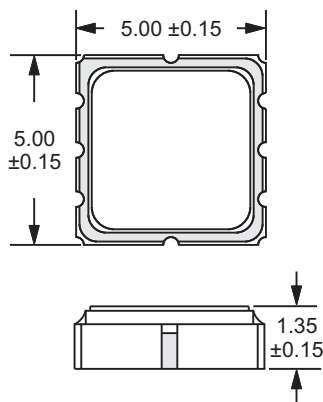


STANDARD SPECIFICATIONS

Parameter	Condition	Minimum	Typical	Maximum
Center Frequency (MHz):	-	-	190.00	-
Insertion Loss (dB):	189MHz - 192MHz	-	2.00	4.00
Passband Ripple (dB):	189MHz - 192MHz	-	1.00	2.00
Attenuation (dB):	Fo-100MHz to Fo-50MHz Fo+50MHz to Fo+100MHz	40.00 40.00	50.00 50.00	- -
Operating Temperature Range (°C):	-	-10	25	70
Storage Temperature Range (°C):	-	-40	25	85
Input Power (in Passband)(dBm):	-	-	-	10.0
DC Voltage (Vdc):	-	-	-	10.0
Termination Source Impedance (Ohms):	-	-	50	-
Termination Load Impedance (Ohms):	-	-	50	-

Comments: Unless otherwise specified, all of the above specifications are under the following conditions:
Operating Temperature = -10°C to +70°C

MECHANICAL DIMENSIONS



Pin	Function
1	To Be Grounded
2	Input/Output
3	To Be Grounded
4	Case Ground
5	To Be Grounded
6	Output/Input
7	To Be Grounded
8	Case Ground

ALL DIMENSIONS
IN MILLIMETERS

MATCHING NETWORK DIAGRAM



MARKING GUIDE

Line 1: ABFF
Line 2: 077B

NOTE: RoHS Compliant (Pb-free)



Part Number: ABFF077B

3545-B Cadillac Avenue • Costa Mesa, CA 92626-1401 • (714) 918-4752 • Fax (714) 918-4760