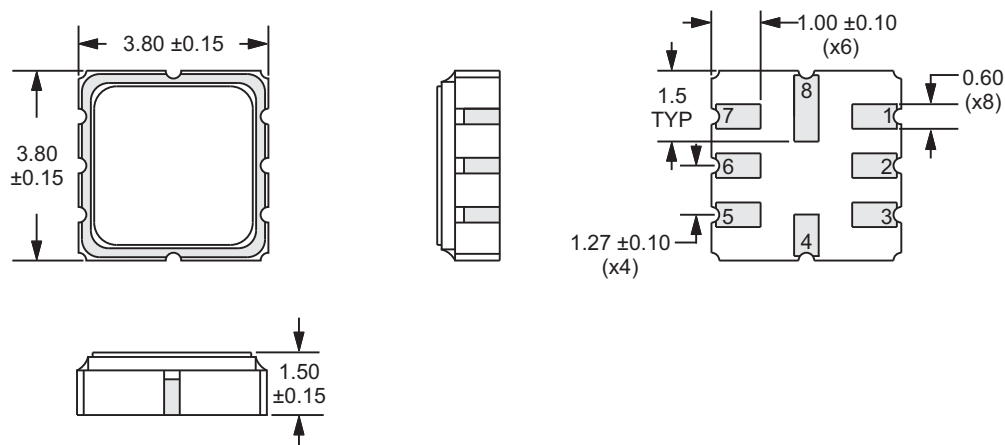


STANDARD SPECIFICATIONS

Parameter	Condition	Minimum	Typical	Maximum
Center Frequency (MHz):	-	-	433.42	-
Insertion Loss (dB):	433.30MHz - 433.62MHz	-	2.00	4.50
Passband Ripple (dB):	433.26MHz - 433.66MHz	-	1.00	2.00
Relative Attenuation (dB):	10.00MHz to 414.00MHz	45.00	50.00	-
	414.00MHz to 428.00MHz	40.00	45.00	-
	428.00MHz to 432.42MHz	15.00	20.00	-
	434.42MHz to 442.00MHz	10.00	15.00	-
	442.00MHz to 550.00MHz	35.00	40.00	-
	550.00MHz to 1000.00MHz	45.00	50.00	-
Operating Temperature Range (°C):	-	-40	25	85
Storage Temperature Range (°C):	-	-45	25	85
Temperature Coefficient (ppm/°C ²):	-	-	-0.030	-
Input Power (in Passband)(dBm):	-	-	-	10.0
DC Voltage (Vdc):	-	-	-	10.0
Termination Source Impedance (Ohms):	-	-	50	-
Termination Load Impedance (Ohms):	-	-	50	-

Comments: Unless otherwise specified, all of the above specifications are under the following conditions:
 Operating Temperature = -40°C to +85°C

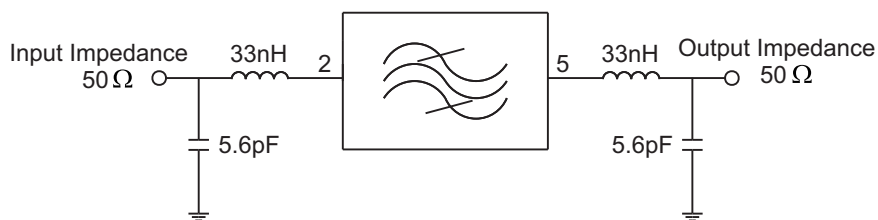
MECHANICAL DIMENSIONS



Pin	Function
1	Input Ground
2	Input
3	Ground
4	Case Ground
5	Output
6	Output Ground
7	Ground
8	Case Ground

ALL DIMENSIONS
IN MILLIMETERS

CONNECTION DIAGRAM



MARKING GUIDE

(Line #1) **ABFF**
 (Line #2) **04B1**

Note: RoHS Compliant (Pb-free)



Part Number: ABFF04B1

3545-B Cadillac Avenue • Costa Mesa, CA 92626-1401 • (714) 918-4752 • Fax (714) 918-4760