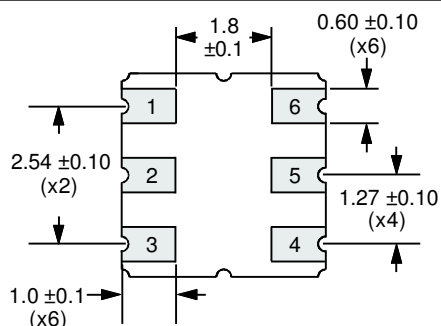
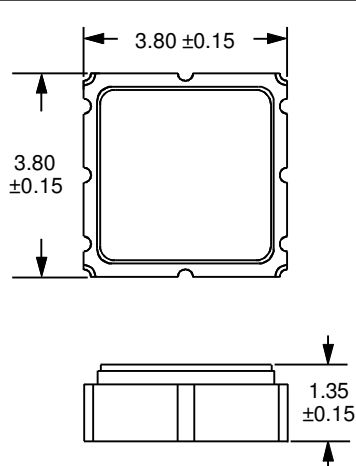


STANDARD SPECIFICATIONS

Parameter	Condition	Minimum	Typical	Maximum
Center Frequency (MHz):	-	-	454.00	-
Passband Width (MHz):	-	-	±3.00	-
Insertion Loss (dB):	451.0MHz - 457.0MHz	-	3.50	4.50
Passband Ripple (dB):	451.0MHz - 457.0MHz	-	1.80	2.50
Attenuation (dB):	Fo-100.0MHz to Fo-45.8MHz	50.00	55.00	-
	Fo+45.8MHz to Fo+100.0MHz	50.00	53.00	-
Operating Temperature Range (°C):	-	-	25	-
Storage Temperature Range (°C):	-	-30	25	80
Input Power (in Passband)(dBm):	-	-	-	10.0
DC Voltage (Vdc):	-	-	-	10.0
Termination Source Impedance (Ohms):	-	-	50	-
Termination Load Impedance (Ohms):	-	-	50	-

Comments: Unless otherwise specified, all of the above specifications are under the following conditions:
Operating Temperature = at 25°C

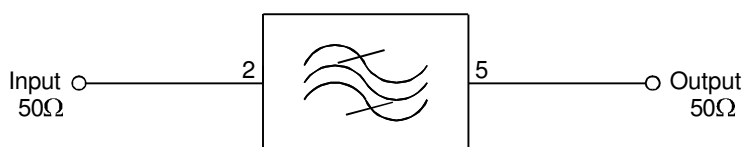
MECHANICAL DIMENSIONS



Pin	Function
1	Ground
2	Input
3-4	Ground
5	Output
6	Ground

ALL DIMENSIONS
IN MILLIMETERS

MATCHING NETWORK DIAGRAM



MARKING GUIDE

Line 1: ABFF
Line 2: 04A5

NOTE: RoHS Compliant (Pb-free)



Part Number: ABFF04A5

3545-B Cadillac Avenue • Costa Mesa, CA 92626-1401 • (714) 918-4752 • Fax (714) 918-4760