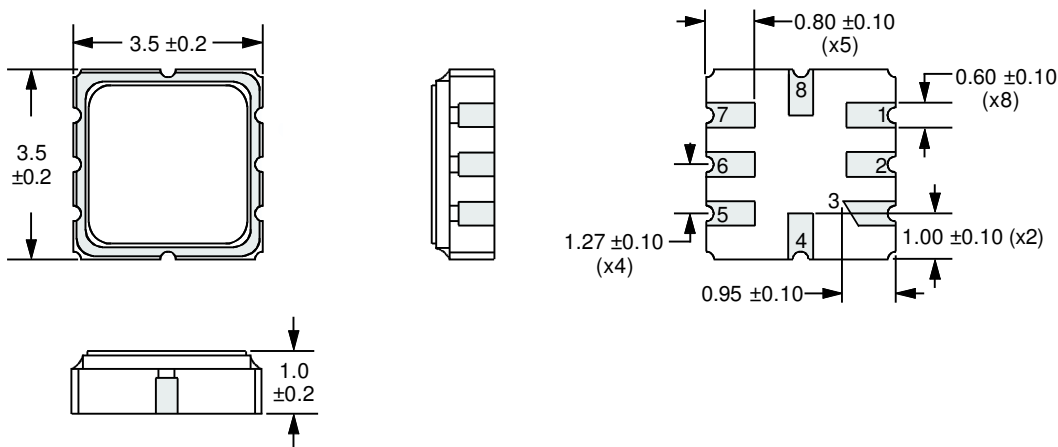


## STANDARD SPECIFICATIONS

Parameter	Condition	Minimum	Typical	Maximum
Center Frequency (MHz):	-	-	1575.42	-
Insertion Loss (dB):	1574.42MHz - 1576.42MHz	-	2.80	3.50
Passband Ripple (dB):	1574.42MHz - 1576.42MHz	-	0.50	1.50
VSWR:	1574.42MHz - 1576.42MHz	-	1.80	2.50
Relative Attenuation (dB):	1475.42MHz	40.00	50.00	-
	1535.42MHz	30.00	45.00	-
	1615.42MHz	20.00	40.00	-
	1675.42MHz	40.00	50.00	-
Operating Temperature Range (°C):	-	-40	25	+85
Storage Temperature Range (°C):	-	-50	25	+100
Input Power (in Passband)(dBm):	-	-	-	20.0
DC Voltage (Vdc):	-	-	-	7.5
Terminating Source Impedance (Ohms):	-	-	50	-
Termination Load Impedance (Ohms):	-	-	50	-

**Comments:** Unless otherwise specified, all of the above specifications are under the following conditions:  
 Operating Temperature = -40 °C to +85 °C

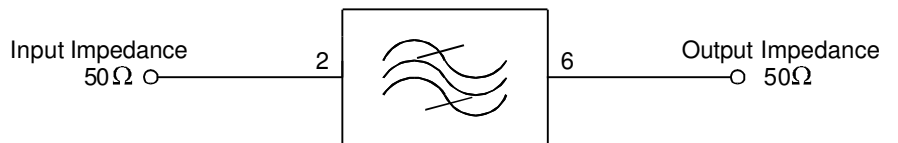
## MECHANICAL DIMENSIONS



Pin	Function
1	Ground
2	Input/Output
3-5	Ground
6	Output/Input
7-8	Ground

ALL DIMENSIONS  
IN MILLIMETERS

## CONNECTION DIAGRAM



## MARKING GUIDE

Line 1: X Y Z

- └─ Month of the Year  
(Oct=X, Nov=Y, Dec=Z)
- └─ Last Digit of the Year
- └─ Amplitronix Manufacturing Code  
(Per TEN52-001-000)

Line 2: S 2



**Part Number:** ABFF0471

3545-B Cadillac Avenue • Costa Mesa, CA 92626-1401 • (714) 918-4752 • Fax (714) 918-4760