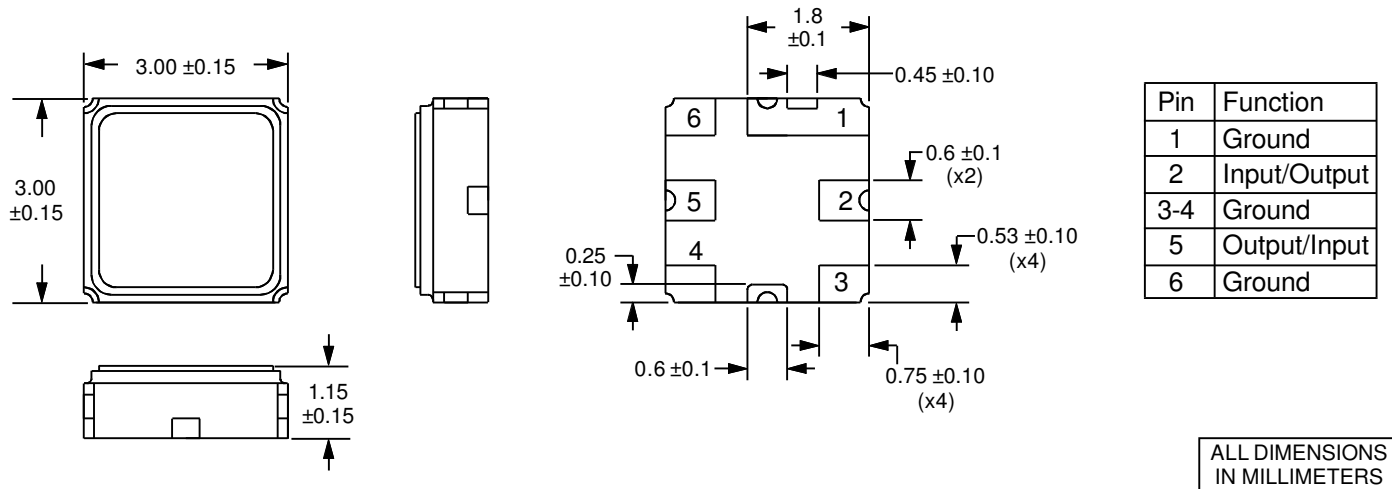


STANDARD SPECIFICATIONS

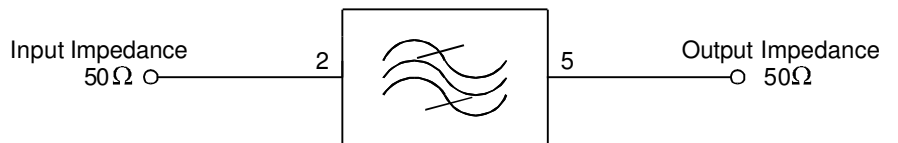
Parameter	Condition	Minimum	Typical	Maximum
Center Frequency (MHz):	-	-	1575.42	-
Insertion Loss (dB):	1574.42MHz - 1576.42MHz	-	2.80	3.50
Passband Ripple (dB):	1574.42MHz - 1576.42MHz	-	1.00	1.50
VSWR:	1574.42MHz - 1576.42MHz	-	1.80	2.50
Relative Attenuation (dB):	1475.42MHz	35.0	40.0	-
	1535.42MHz	30.0	35.0	-
	1615.42MHz	30.0	40.0	-
	1675.42MHz	40.0	45.0	-
Operating Temperature Range (°C):	-	-40	25	+85
Storage Temperature Range (°C):	-	-50	25	+100
Input Power (in Passband)(dBm):	-	-	-	20.0
DC Voltage (Vdc):	-	-	-	7.5
Terminating Source Impedance (Ohms):	-	-	50	-
Termination Load Impedance (Ohms):	-	-	50	-

Comments: Unless otherwise specified, all of the above specifications are under the following conditions:
 Operating Temperature = -40°C to +85°C

MECHANICAL DIMENSIONS



CONNECTION DIAGRAM



MARKING GUIDE

Line 1: X GS

Amplitronix Manufacturing Code
 (Per TEN52-001-000)

Line 2: Y M

Month of the Year
 (Oct=X, Nov=Y, Dec=Z)
 Last Digit of the Year



Part Number: ABFF0470

3545-B Cadillac Avenue • Costa Mesa, CA 92626-1401 • (714) 918-4752 • Fax (714) 918-4760