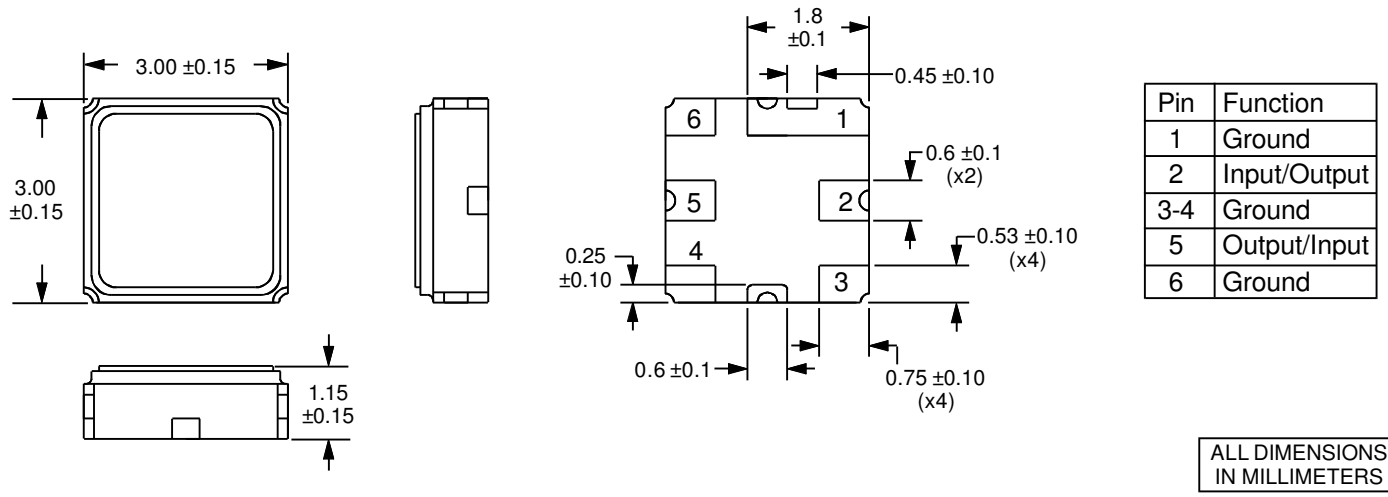


STANDARD SPECIFICATIONS

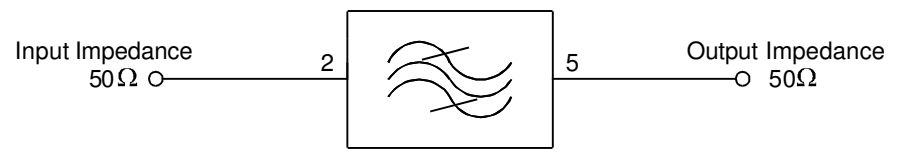
Parameter	Condition	Minimum	Typical	Maximum
Center Frequency (MHz):	-	-	836.50	-
Insertion Loss (dB):	824MHz - 849MHz	-	2.80	3.50
Passband Ripple (dB):	824MHz - 849MHz	-	1.00	2.00
VSWR:	824MHz - 849MHz	-	1.70	2.50
Attenuation (dB):	869MHz - 894MHz	25.00	27.00	-
Operating Temperature Range (°C):	-	-30	25	70
Storage Temperature Range (°C):	-	-40	25	100
Input Power (in Passband)(dBm):	-	-	-	20.0
DC Voltage (Vdc):	-	-	-	7.5
Terminating Source Impedance (Ohms):	-	-	50	-
Termination Load Impedance (Ohms):	-	-	50	-

Comments: Unless otherwise specified, all of the above specifications are under the following conditions:
 Operating Temperature = -30°C to +85°C

MECHANICAL DIMENSIONS



CONNECTION DIAGRAM



MARKING GUIDE

- Line 1: X AK**
 — Amplitronix Manufacturing Code
 (Per TEN52-001-000)
- Line 2: Y M**
 — Month of the Year
 (Oct=X, Nov=Y, Dec=Z)
 — Last Digit of the Year



Part Number: ABFF046F
 3545-B Cadillac Avenue • Costa Mesa, CA 92626-1401 • (714) 918-4752 • Fax (714) 918-4760