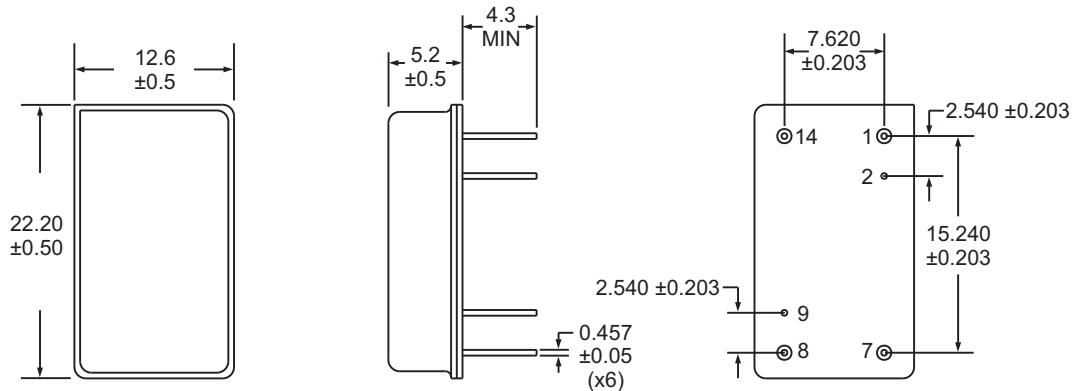


STANDARD SPECIFICATIONS

Parameter	Minimum	Typical	Maximum
Center Frequency (MHz):	139.80	140.00	140.20
Insertion Loss (dB):	-	22.00	24.00
Passband Ripple (dB):	-	0.45	0.70
-1dB Bandwidth (MHz):	13.20	13.40	-
-3dB Bandwidth (MHz):	14.00	14.165	-
-40dB Bandwidth (MHz):	-	17.12	17.60
-50dB Bandwidth (MHz):	-	17.44	18.00
Phase Linearity (degrees):	-	4.00	6.00
Group Delay Variation (nSec):	-	30.00	90.00
Absolute Delay (µsec):	-	1.67	-
Ultimate Rejection (dB):	50.00	58.00	-
Operating Temperature Range (°C):	-	25	-
Substrate Material:	-	YZ LiNbO ₃	-
Termination Source Impedance (Ohms):	-	50	-
Termination Load Impedance (Ohms):	-	50	-

Comments: Unless otherwise specified, all of the above specifications are under the following conditions:
Operating Temperature = 25°C

MECHANICAL DIMENSIONS



Pin	Function
1	Ground
2	Ground
7	Ground
8	Output (+)
9	Ground
14	Input (+)

ALL DIMENSIONS
IN MILLIMETERS

MATCHING NETWORK DIAGRAM

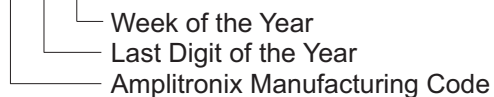


MARKING GUIDE

(Line #1) **AMPLITRONIX**

(Line #2) **ABFF05B6**

(Line #3) **XX Y ZZ**



Part Number: ABFF05B6

3545-B Cadillac Avenue • Costa Mesa, CA 92626-1401 • (714) 918-4752 • Fax (714) 918-4760