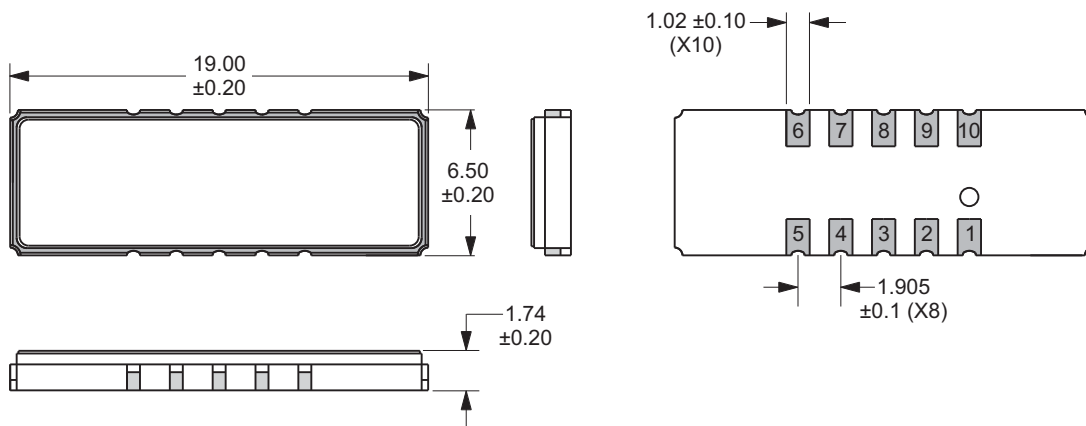


STANDARD SPECIFICATIONS

Parameter	Condition	Minimum	Typical	Maximum
Center Frequency (MHz):	-	114.95	115.00	115.05
Insertion Loss (dB):	-	-	8.30	10.00
Passband Ripple (dB):	-	-	0.40	1.00
-1dB Bandwidth (MHz):	-	-	1.24	-
-3dB Bandwidth (MHz):	-	1.50	1.70	-
-40dB Bandwidth (MHz):	-	-	3.38	4.00
Absolute Delay (µsec):	-	-	1.60	-
Ultimate Rejection (dB):	-	40.00	42.00	-
Operating Temperature Range (°C):	-	-	25	-
Temperature Coefficient (kHz/°C):	-	-	-2.07	-
Termination Source Impedance (Ohms):	-	-	50	-
Termination Load Impedance (Ohms):	-	-	50	-

Comments: Unless otherwise specified, all of the above specifications are under the following conditions:
Operating Temperature = 25°C

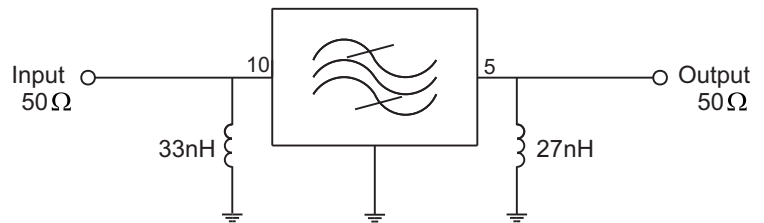
MECHANICAL DIMENSIONS



Pin	Function
1-4	Ground
5	Output (+)
6-9	Ground
10	Input (+)

ALL DIMENSIONS
IN MILLIMETERS

MATCHING NETWORK DIAGRAM

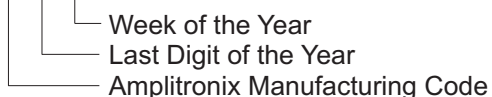


MARKING GUIDE

(Line #1) **AMPLITRONIX**

(Line #2) **ABFF0574**

(Line #3) **XX Y ZZ**



Note: RoHS Compliant (Pb-free)



Part Number: ABFF0574

3545-B Cadillac Avenue • Costa Mesa, CA 92626-1401 • (714) 918-4752 • Fax (714) 918-4760