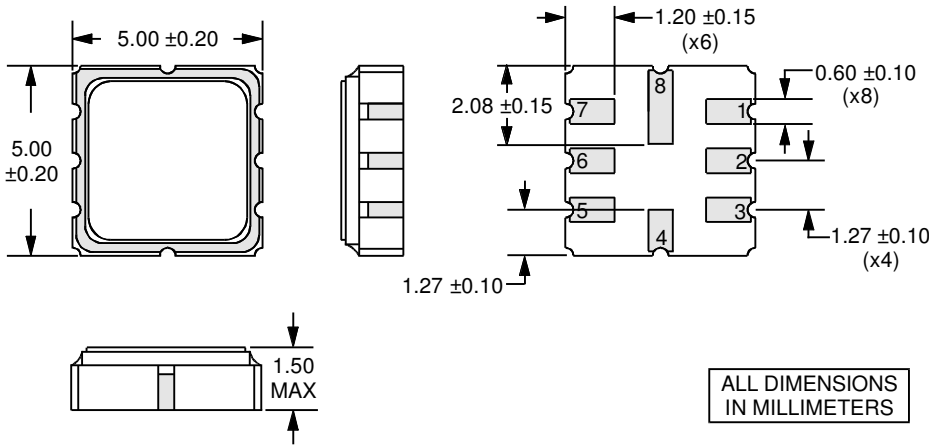


## STANDARD SPECIFICATIONS

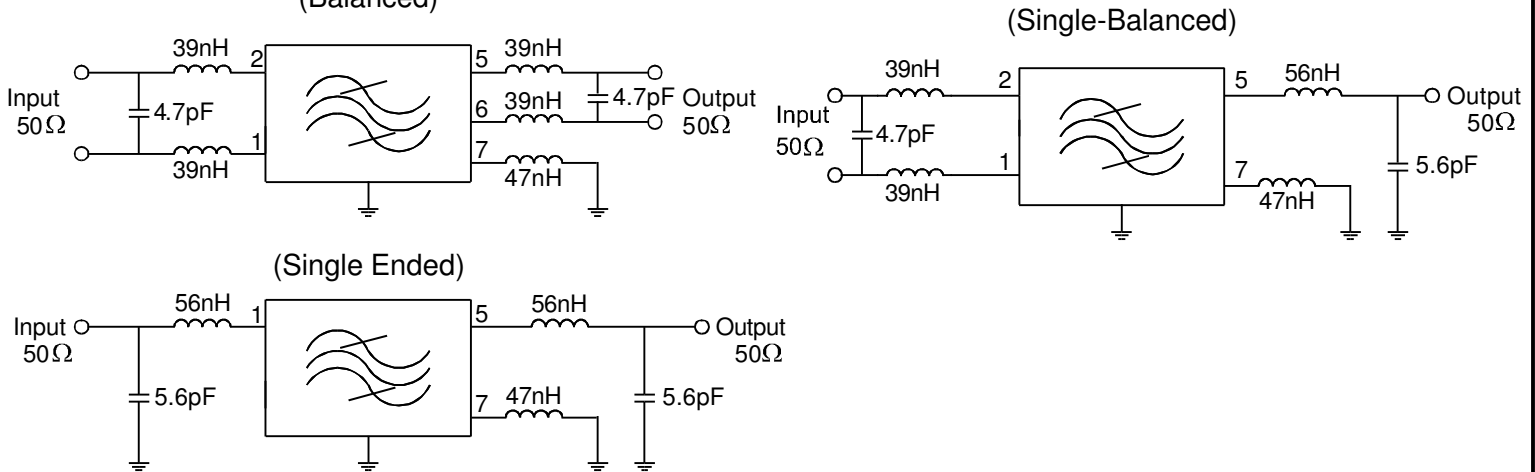
Parameter	Range (MHz)	Minimum	Typical	Maximum
Center Frequency (MHz):	-	-	400.0	-
Insertion Loss (dB):	Fc ±83kHz	-	-	6.0
Passband Ripple (dB):	Fc ±83kHz	-	-	2.0
Group Delay Variation (µSec):	Fc ±83kHz	-	-	1.0
Attenuation (dB):	50.0 - 398.5	35.0	-	-
	398.5 - 399.2	20.0	-	-
	399.2 - 399.4	10.0	-	-
	399.4 - 399.6	7.0	-	-
	400.4 - 400.6	7.0	-	-
	400.6 - 400.8	10.0	-	-
	400.8 - 401.5	20.0	-	-
	401.5 - 500.0	35.0	-	-
Input Power (dBm):	-	-	-	10.0
DC Voltage (Vdc):	-	-	-	15.0
Operating Temperature Range (°C):	-	-10	25	60
Storage Temperature Range (°C):	-	-25	25	70
Terminating Load Impedance (Ohms):	-	-	50	-
Terminating Source Impedance (Ohms):	-	-	50	-

## MECHANICAL DIMENSIONS



	Balanced	Single Balanced	Single Ended
Pin	Function	Function	Function
1	Input -	Input -	Input
2	Input +	Input +	Ground
3-4	Ground	Ground	Ground
5	Output +	Output	Output
6	Output -	Ground	Ground
7	Coupling	Coupling	Coupling
8	Ground	Ground	Ground

## MATCHING NETWORK CONFIGURATION



## MARKING GUIDE

(Line #1) **ABFF**  
 (Line #2) **0125**

**Note: RoHS Compliant (Pb-free)**



**Part Number:** ABFF0125

3545-B Cadillac Avenue • Costa Mesa, CA 92626-1401 • (714) 918-4752 • Fax (714) 918-4760