

#### ● FEATURES

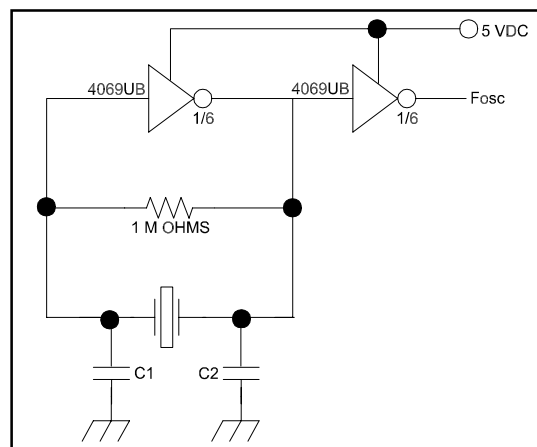
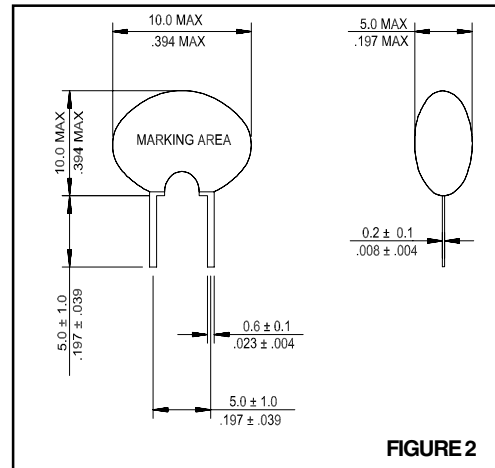
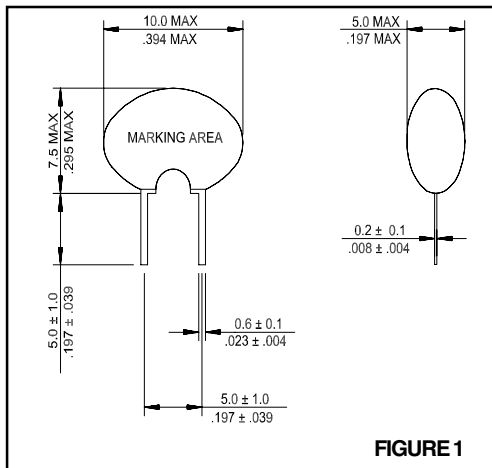
- SMALL AND LIGHT
- HIGH DURABILITY
- EXCELLENT TEMPERATURE STABILITY
- LOW COST

#### ● SPECIFICATIONS

FREQUENCY RANGE	1.80-6.00 MHz	6.01-13.00 MHz	13.01-50.00 MHz
DIMENSIONS	FIGURE 1	FIGURE 2	
EXTERNAL CAPACITANCE	C1	30 pF	
	C2	30 pF	
FREQUENCY TOLERANCE AT 25 C	-0.5%		
RESONANT RESISTANCE	30 OHMS	25 OHMS	30 OHMS
FREQUENCY STABILITY OVER TEMPERATURE	-0.3%		
OPERATING TEMPERATURE RANGE	-20 C TO +80 C		
FREQUENCY AGING (10 YEARS)	-0.3%		
STORAGE TEMPERATURE RANGE	-35 C TO +85 C		



#### ● OUTLINE DRAWINGS



#### ● PART NUMBERING SYSTEM

SERIES	-	FREQUENCY
POI		IN MHz