

#### ● FEATURES

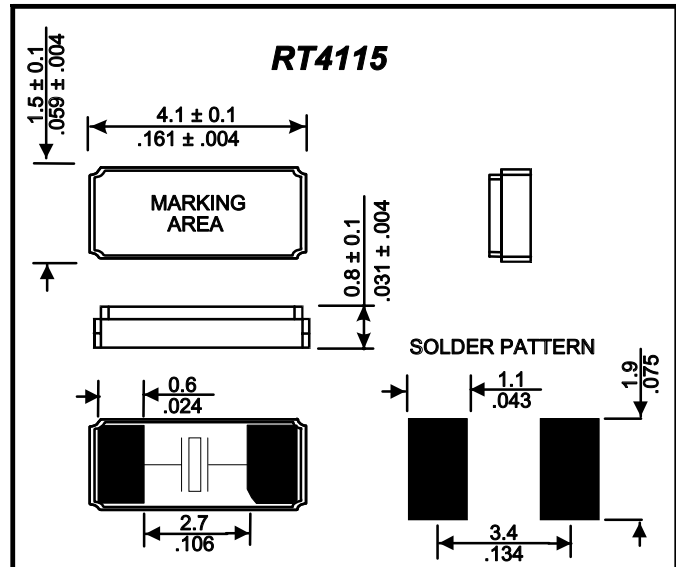
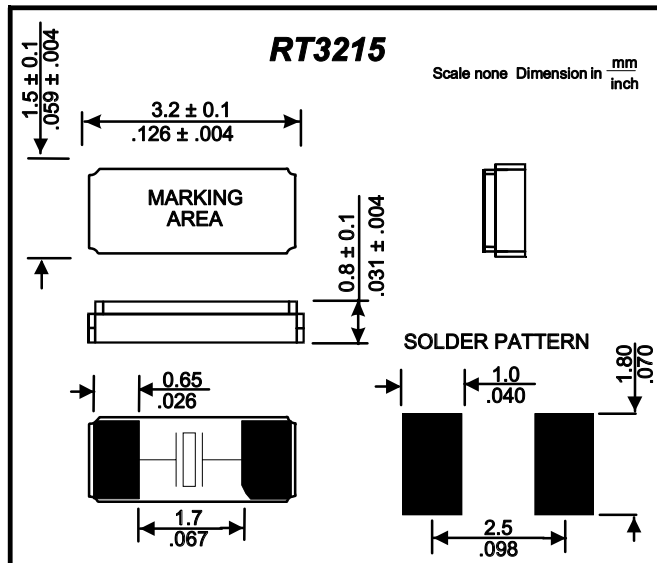
- SUITABLE FOR TIME OF DAY CLOCKS
- IDEAL FOR HIGH DENSITY PACKAGING APPLICATION
- SMALL AND COMPACT PACKAGE
- RoHS COMPLIANT /LEAD FREE

#### ● SPECIFICATIONS

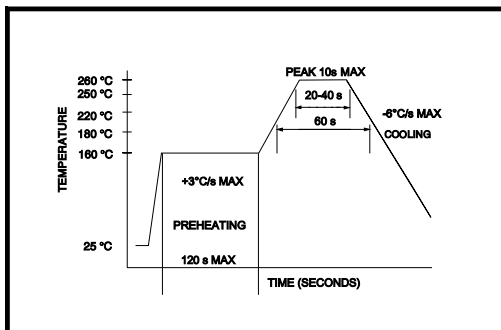
NOMINAL FREQUENCY	RT3215	RT4115
NOMINAL FREQUENCY	32.768 KHz	
FREQUENCY TOLERANCE	±20 PPM MAX AT +25°C	
TURNOVER TEMPERATURE	+25 ±5°C	
TEMPERATURE COEFFICIENT	-0.04 X 10 <sup>-6</sup> / °C <sup>2</sup> MAX	
SHUNT CAPACITANCE	1.5pF TYP	
LOAD CAPACITANCE	12.5pF(STANDARD), 9pF	
EQUIVALENT SERIES RESISTANCE (ESR)	80 K OHM MAX	65 K OHM MAX
DRIVE LEVEL	1.0 μW MAXIMUM	
OPERATING TEMPERATURE RANGE	-40°C TO +85°C	
STORAGE TEMPERATURE RANGE	-40°C TO +85°C	
INSULATION RESISTANCE	500 M OHMS MIN	
AGING	±3 PPM PER YEAR	



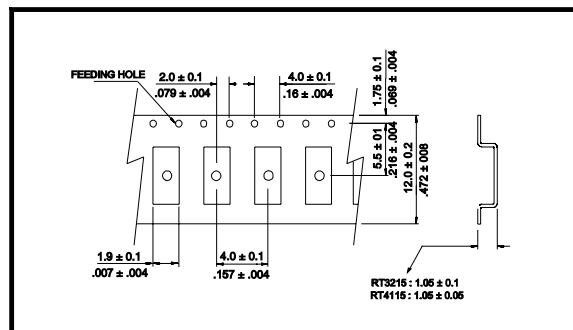
#### ● OUTLINE DRAWINGS



#### ● REFLOW SOLDERING PROFILE



#### ● TAPE DIMENSIONS



#### ● PART NUMBERING

EX: RT4115-32.768-12.5-TR, RT3215-32.768-9-TR

#### ● PACKAGING

3,000 PCS PER REEL; 180 +0/-3.0 mm REEL DIAMETER, 9.0 ± 0.3 mm TAPE WIDTH, 4.0 ± 0.1 mm PITCH