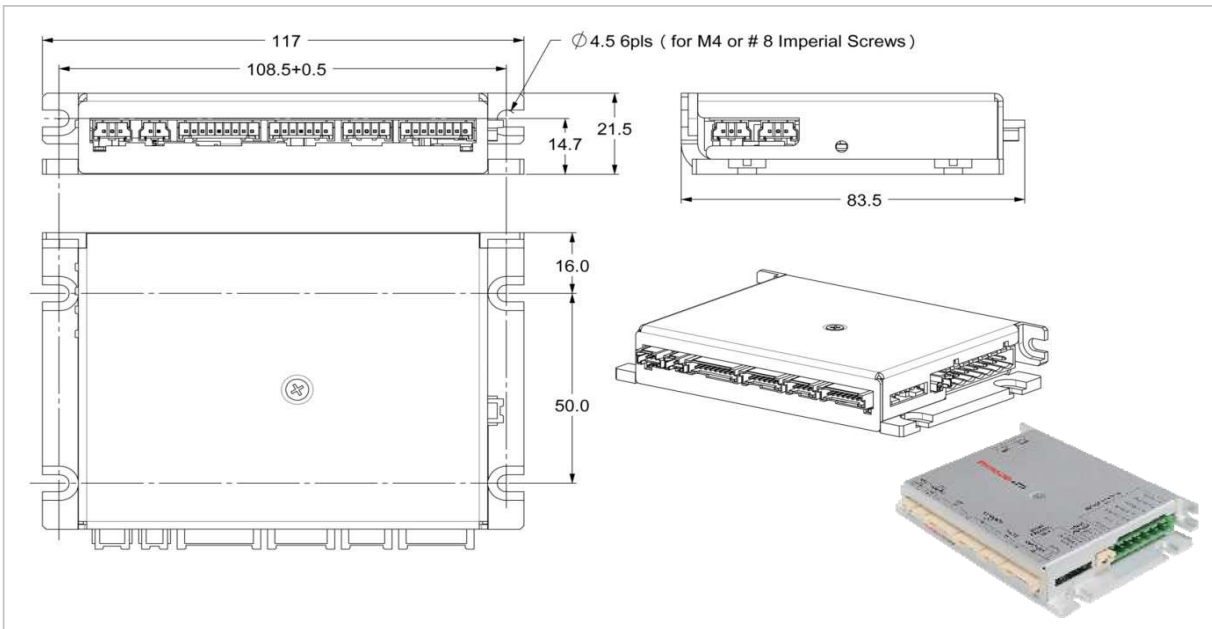


**LVD - Low Voltage Drive**  
**High Performances CANopen Servo Drive for DC and BLDC motors**

The LVD is a High Performance servo drive, digital amplifier for driving small and large Brushed or Brushless DC motors. Communication is via RS-232 or CANopen and can be operated in Current, Velocity or Position mode. The LVD supports the DS402 CANopen® device profile.



**Specifications**

**Electrical Characteristics:**

Logic Input	10-36VDC
Power supply	12-48VDC
Continuous current output	7A RMS
Peak current	12A RMS

**Mechanical Characteristics**

Size	117X83.5X21.5mm
Weight	250g

**Command**

CANOpen
RS232
Analog Input (+/- 10V)

**Feedback**

Incremental encoder with or without hall	TTL or RS422 differential
Halls only (optional)	

**Standard I/O**

Number of Opto Isolated digital inputs	6
Number of Opto Isolated digital output	2
Number of Analog Input (+/- 10V)	2
Remote Enable Opto Isolated digital inputs	1
Encoder Strobe	TTL or RS422 differential

**Protection**

Short circuit
Over temperature
Over current
Over voltage
Feedback loss
Under voltage

**Conformances**

CE and RoHS
-------------