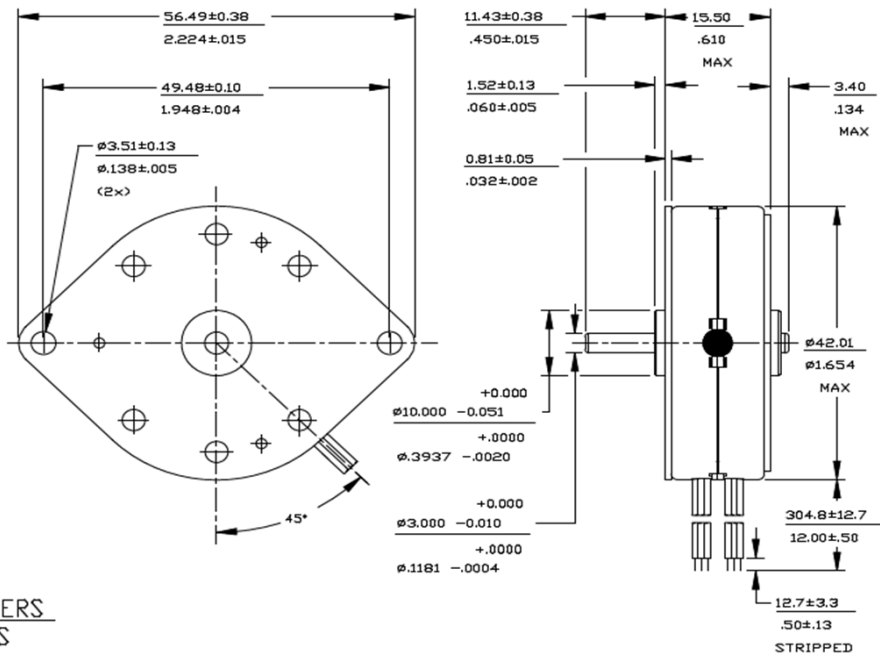


42S100D

RoHS Compliant

Ø42mm

7.5 mNm



DIMENSIONS: MILLIMETERS
INCHES

42S100D

Electrical Data	42S100D1U Unipolar	42S100D2U Unipolar	42S100D1B Bipolar	42S100D2B Bipolar	
1 Operating Voltage	5	12	5	12	VDC
2 Resistance per Phase, ± 10%	12.5	75.0	12.5	75.0	Ohms
3 Inductance per Phase, typ	6.4	36.7	10.8	60.7	mH
4 Rated Current per Phase *	0.40	0.16	0.40	0.16	A
Coil independent parameters					
5 Holding Torque, MIN *	49.4 (7)	49.4 (7)	53 (7.5)	53 (7.5)	mNm (oz-in)
6 Detent Torque, Max	11.3 (1.6)	11.3 (1.6)	11.3 (1.6)	11.3 (1.6)	mNm (oz-in)
7 Rotor inertia	9.5 (0.0519)	9.5 (0.0519)	9.5 (0.0519)	9.5 (0.0519)	(gcm ²) (oz-in-s ²)
8 Step Angle	3.6	3.6	3.6	3.6	Degree
9 Absolute accuracy 2 ph. On, Full step	± .4	± .4	± .4	± .4	Degree
10 Steps per Revolution	100	100	100	100	
11 Ambient Temp Range (operating)	-20 to +70 (-4 to +158)	-20 to +70 (-4 to +158)	-20 to +70 (-4 to +158)	-20 to +70 (-4 to +158)	°C (°F)
12 Maximum Coil Temperature	130 (266)	130 (266)	130 (266)	130 (266)	°C (°F)
13 Bearing Type	Sintered Bronze Sleeve	Sintered Bronze Sleeve	Sintered Bronze Sleeve	Sintered Bronze Sleeve	
14 Insulation Resistance at 500 VDC	100	100	100	100	Mohms
15 Dielectric Withstanding Voltage	650 for 2 seconds	650 for 2 seconds	650 for 2 seconds	650 for 2 seconds	VAC
16 Weight	88 (3.1)	88 (3.1)	88 (3.1)	88 (3.1)	g (oz)
17 Leadwire	AWG 28, UL 3265	AWG 28, UL 3265	AWG 28, UL 3265	AWG 28, UL 3265	

All Motor Data Values at 20°C Unless Otherwise Specified

* Energize at Rated Current, 2 Phase On

