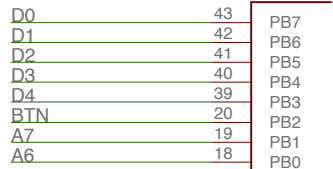
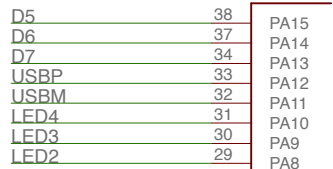




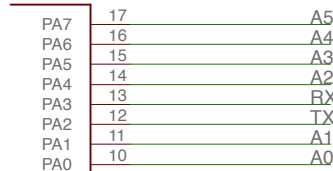
U2PORTB_F



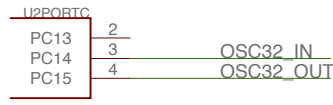
U2PORTB_L



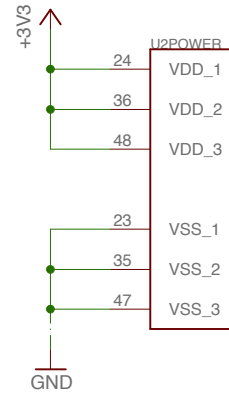
U2PORTA_R



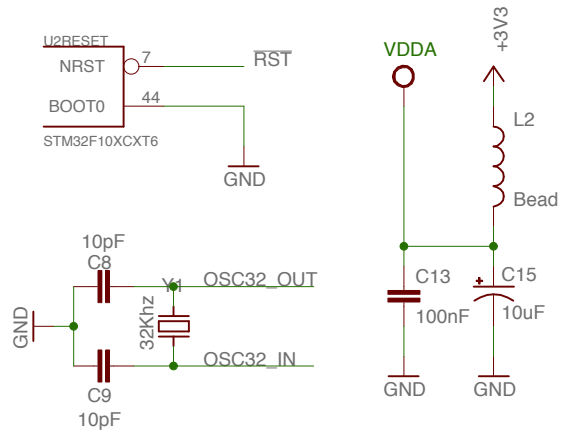
U2PORTA_L



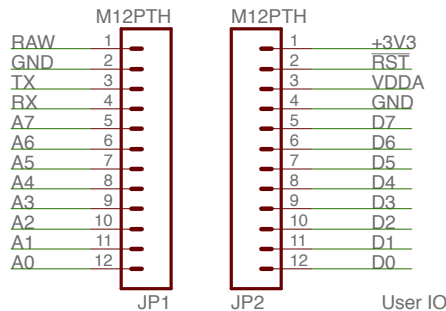
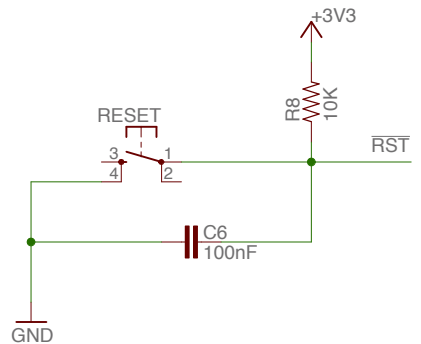
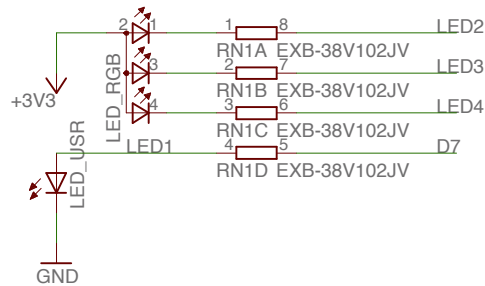
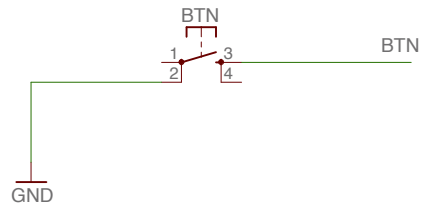
STM32 GPIO



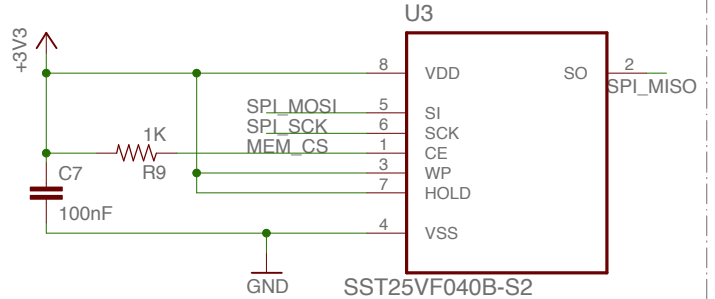
STM32 Power



STM32 Decoupling, Reset, Crystal, & Boot



User IO



External FLASH

Spark Core

TITLE: core

Document Number:

REV:

Date: 9/6/13 6:30 PM

Sheet: 1/1