

SDA-ASI

Serial Digital distribution amplifier

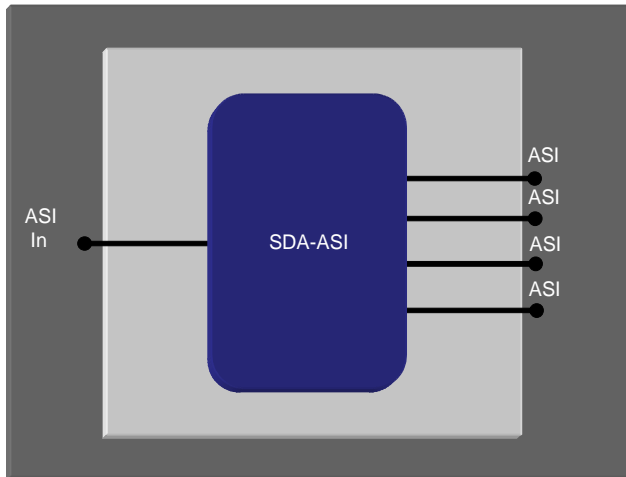
INSERTERS

SWITCHES

CONVERSION

KEYERS

MIXERS



Reclocked outputs

Support for ASI-DVB

Up to four outputs



As part of the Series 200 range, Microvideo offer basic distribution amp modules. These are reclocking distribution amps. They have equalisation for up to 300M of high quality co-ax cable. The SDA-ASI module has been produced to support both Serial digital video (as per SMPTE 259M) and ASI-DVB data at 270Mb/s. These cards are part of the Series 200 and can be mixed in our 1U or 3U frames with other cards in the range.

MicroVideo

Copley Hill Farm
Babraham
Cambridge
England, CB22 3GN
t: +44 (0) 1223 834119
f: +44 (0) 1223 834471
w: www.microvideo.co.uk

SDA-ASI

Technical Information

INSERTERS

SWITCHES

CONVERSION

KEYERS

MIXERS

Inputs:	1 x ASI-DVB.
Outputs:	Equalised and reclocked outputs. Output Level: 800mV pp into 75R, DC offset <500mV. Additive jitter: <250pS.
Control:	None needed for setup or maintenance. On board links allow for manual setting of the data rate frequency. This overrides the auto detection feature. Alarm outputs are available when EDH calculation is specified.
Physical:	Eurocard size module for mounting in our 1U or 3U frames.
Power usage:	<2W.
Frames:	Up to 6 modules will fit in a Microvideo 1U frame and 15 in a 3U frame. They may be mixed with other Microvideo Series 200 boards in the same frame.
Ordering:	SDA-ASI SDA-ASI DA module, 4 reclocked digital outputs FR1U-20 1U rack mounting frame for series 200 cards (dual PSU) FR3U-10 3U rack mounting frame for series 200 cards (single PSU) FR3U-20 3U rack mounting frame for series 200 cards (dual PSU) -CB Control Bus wiring for 3U frame

MicroVideo

Copley Hill Farm
Babraham
Cambridge
England, CB22 3GN
t: +44 (0) 1223 834119
f: +44 (0) 1223 834471
w: www.microvideo.co.uk