

# FRS200

## Frame Synchroniser

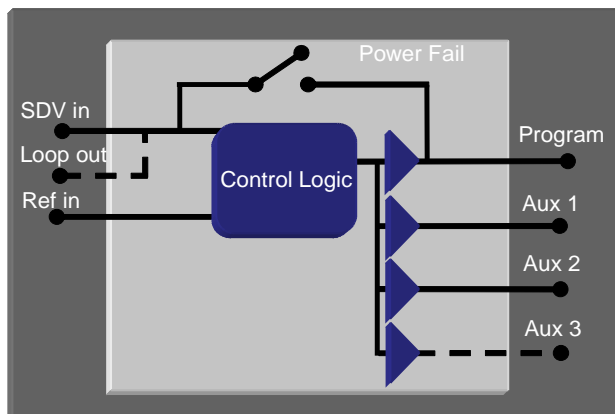
INSERTERS

SWITCHES

CONVERSION

KEYERS

MIXERS



Synchronises SDV to analogue ref

Pass or blank ancillary data

Freeze/black out on input loss

Power-fail bypass

The FS200 Frame Synchroniser is a single eurocard size module that fits in the Series 200 1U or 3U rack mounting Frames. It is designed to synchronise a Serial Digital Video signal to an analogue timing reference. The input video may be completely non-synchronous or may simply need a timing adjustment.

**Inputs:** 1 x SDV, Serial Digital Video (270Mb/s) to EBU Tech. 3267-E (SMPTE259M)  
1 x Analogue Video (Reference)  
Analogue into 75R on BNC. Can be syncs only or Composite with syncs.  
Can be internally terminated or passive loop through

**Outputs:** Up to 4 SDV (Power bypass relay connects SDV in to main 'PGM' out)  
Loop out/Aux 3 use the same BNC (function is link selectable)  
Serial Digital Video (270Mb/s) to EBU Tech. 3267-E (SMPTE259M)

**User Controls:** H adjustment up to full line width (64uS) V adjustment of +/-7 lines  
Freeze or go to Black screen on loss of input Disable Freeze/Black autoswitching  
PAL(625) / NTSC (525) operation Auto PAL detect on/off  
Pass / Blank VBI data Pass / Blank ancillary data

**User Controls:** The following control signals may be wired to the common D type on the frame  
Loss of input video alarm signal, Delay tracking pulse output, Freeze control input

**Physical:** Eurocard size module for mounting in our 1U or 3U frames.

**Power usage:** 10W

**Frames:** Up to 6 modules will fit in a Microvideo 1U frame and 14 in a 3U frame.

**Ordering:** FRS200 Frame synchroniser for SDV  
FR1U-20 1U rack mounting frame for series 200 cards (dual PSU)  
FR3U-10 3U rack mounting frame for series 200 cards (single PSU)  
FR3U-20 3U rack mounting frame for series 200 cards (dual PSU)  
-CB Control Bus wiring for 3U frame

# MicroVideo

Copley Hill Farm  
Babraham  
Cambridge  
England, CB22 3GN  
t: +44 (0) 1223 834119  
f: +44 (0) 1223 834471  
w: [www.microvideo.co.uk](http://www.microvideo.co.uk)