

NPROC-1

Serial Digital Gamut Corrector

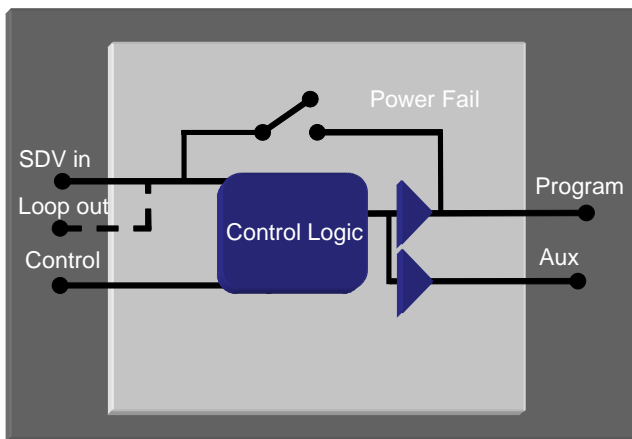
INSERTERS

SWITCHES

CONVERSION

KEYERS

MIXERS



Corrects out of gamut pixels

Split screen mode

Highlights out of gamut pixels

No user set-up required

GPI control inputs



The NPROC-1 digital gamut corrector provides an inexpensive means of legalising levels in a digital video environment. It processes the incoming video to ensure that it always remains within the valid RGB colour gamut. This ensures when the signal is then coded to PAL or NTSC it will remain legal.

MicroVideo

Copley Hill Farm
Babraham
Cambridge
England, CB22 3GN
t: +44 (0) 1223 834119
f: +44 (0) 1223 834471
w: www.microvideo.co.uk

NPROC-1

Technical Information

INSERTERS

SWITCHES

CONVERSION

KEYERS

MIXERS

- Inputs:** Serial Digital Video (270Mb/s) to EBU Tech. 3267-E, (SMPTE 259M).
- Outputs:** 3 x Serial Digital Video (270Mb/s) to EBU Tech. 3267-E, (SMPTE 259M).
'Program', 'Auxiliary' and 'Loop'.
SDV input connects directly to 'PGM' output upon loss of power, 'Loop' is a copy of the input, 'Aux' is a copy of the program output.
- Control:** Dip switches allow the unit to be configured with GPI's allowing remote control.
- Functions:**
- Display illegal: This colours the out of range pixels bright pink so that it is immediately clear what areas of the screen are illegal.
 - Correct illegal: When enabled, a processing engine looks at each pixel and decides if it is out of gamut. If it is, a calculation is made of how much correction should be applied to bring the colour back into the RGB colour space. This means that when the signal is coded to PAL or NTSC it will always remain legal.
 - Split Screen: Shows a horizontal split of the picture, with legal picture in one half and illegal (original source) in other.
 - Y/C Limit: Restricting the luma (Y) to digital values between 16 and 235 and Chroma (C) to -112 to +112, clipping of below black and above white spikes.
 - Blanking: Applies blanking that equals the 14:9 (or 4:3) area of a 16:9 picture. This enables a quick check to be made of where the picture edges might be once put through an ARC.
- Physical:** 1U rack mounting frame.
- Power usage:** 60W.
- Ordering:** NPROC-1 Gamut corrector for serial digital video
-DM Optional dual mains inlet and transformer

MicroVideo

Copley Hill Farm
Babraham
Cambridge
England, CB22 3GN
t: +44 (0) 1223 834119
f: +44 (0) 1223 834471
w: www.microvideo.co.uk