

SCA200

SDI to PAL converter with audio demux

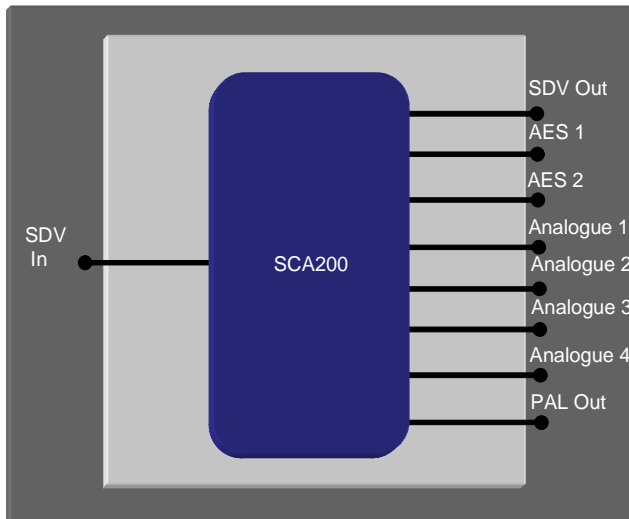
INSERTERS

SWITCHES

CONVERSION

KEYERS

MIXERS



AES and analogue audio out

PAL out

Selectable group demultiplexing

Power-fail bypass

Converts VBI data



The SCA200 is a Series 200 format card that can be fitted into our standard 1U and 3U frames and can be used stand alone, or with a CPU for increased functionality and remote control operation. Designed to demultiplex embedded audio (1 group) from a Serial Digital Video input, and output 2 channels of AES and 4 channels of analogue audio, a headphone monitor output is also provided. The SDV signal is converted to an analogue composite PAL output, a selectable internal 100% colour bar test pattern is provided on the PAL output. VBI data can be blanked or passed. Remote monitoring is available when frame has controller CPU.

MicroVideo

Copley Hill Farm
Babraham
Cambridge
England, CB22 3GN
t: +44 (0) 1223 834119
f: +44 (0) 1223 834471
w: www.microvideo.co.uk

SCA200

Technical Information

INSERTERS

SWITCHES

CONVERSION

KEYERS

MIXERS

Inputs:	1 x SDV (power fail bypass to re-clocked SDV out)
Outputs:	1 x Re-clocked SDV 1 x PAL AES (2 channel) Analogue audio (4 channel) Headphone socket for monitoring
Control:	Selectable Group de-multiplexing (one group per card) Selectable 100% colour bars on PAL output Selectable VBI blanking/pass AES audio group present status LED's
Physical:	Eurocard size module for mounting in our 1U or 3U frames
Power usage:	8W
Frames:	Up to 6 modules will fit in a Microvideo 1U frame and 15 in a 3U frame
Ordering:	SCA200 SDV in, analogue & AES audio out, PAL out FR1U-20 1U rack mounting frame for series 200 cards (dual PSU) FR3U-10 3U rack mounting frame for series 200 cards (single PSU) FR3U-20 3U rack mounting frame for series 200 cards (dual PSU)

MicroVideo

Copley Hill Farm
Babraham
Cambridge
England, CB22 3GN
t: +44 (0) 1223 834119
f: +44 (0) 1223 834471
w: www.microvideo.co.uk