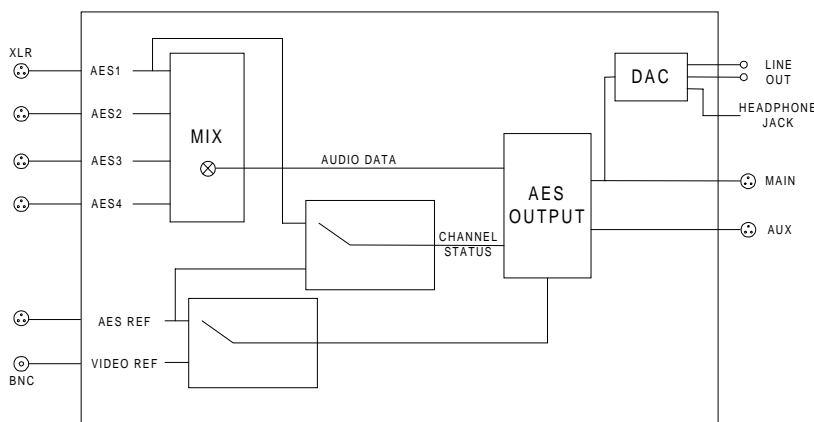


Four Input Digital Audio Mixer

- Mix four channels of AES digital audio
- AES or analogue video reference
- Power-fail bypass relay
- Internal test tone / silence



The AMX4 mixes four channels of AES audio. Each input may have independent gain control of both left and right channels. An internally generated silence/test tone can be enabled for any channel. Reference can be taken from an AES source, analogue video or directly from AES input 1. Four GPI outputs indicate if a fader is 'off'.

The mixer has two digital outputs, MAIN and AUX. Differential analogue line out is also available. A 3.5mm headphone output is also provided on the rear panel for monitoring purposes. Control is achieved via a slider panel, standard remote control panel or an LCD front panel on the frame containing the module.

The AMX4 is supplied in a 1U frame with optional LCD control panel.

Specifications

- Audio Inputs:** 4 x AES/EBU digital audio as described in EBU Tech 3250-E (or AES-3-1992) on XLR connector, 75R or 110R termination (link selectable).
- Ref Input (Audio):** 1 x AES/EBU digital audio on XLR connector, 75R or 110R termination (link selectable).
- Ref Input (Video):** Analogue video with sync. 525 or 625 line (75R termination).
- Audio Outputs:** 2 x AES/EBU digital audio (AUX and MAIN, MAIN is linked directly to input 1 when in relay bypass).
- Control:** Slider Panel (illustrated below), standard remote control panel or LCD front panel on the frame.



- Ordering:**
- | | | |
|----------|---|----------------------------|
| AMX4 | - | Four input AES mixer |
| -FP | - | Optional local front panel |
| REM-AMX4 | - | Slider panel for AMX4 |

Microvideo Ltd, The Old Farm Offices, Copley Hill Farm, Babraham, Cambridge, ENGLAND CB2 4AF

Tel: +44 (0) 1223 834119 Fax: +44 (0)1223 834471 email: sales@microvideo.co.uk

Data sheet ref - amx4-2.dtp (Sept 03)