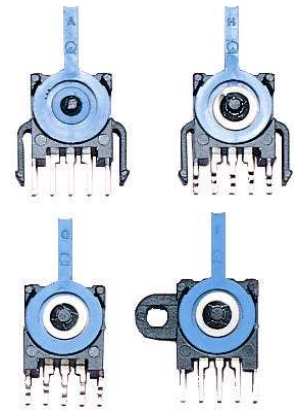
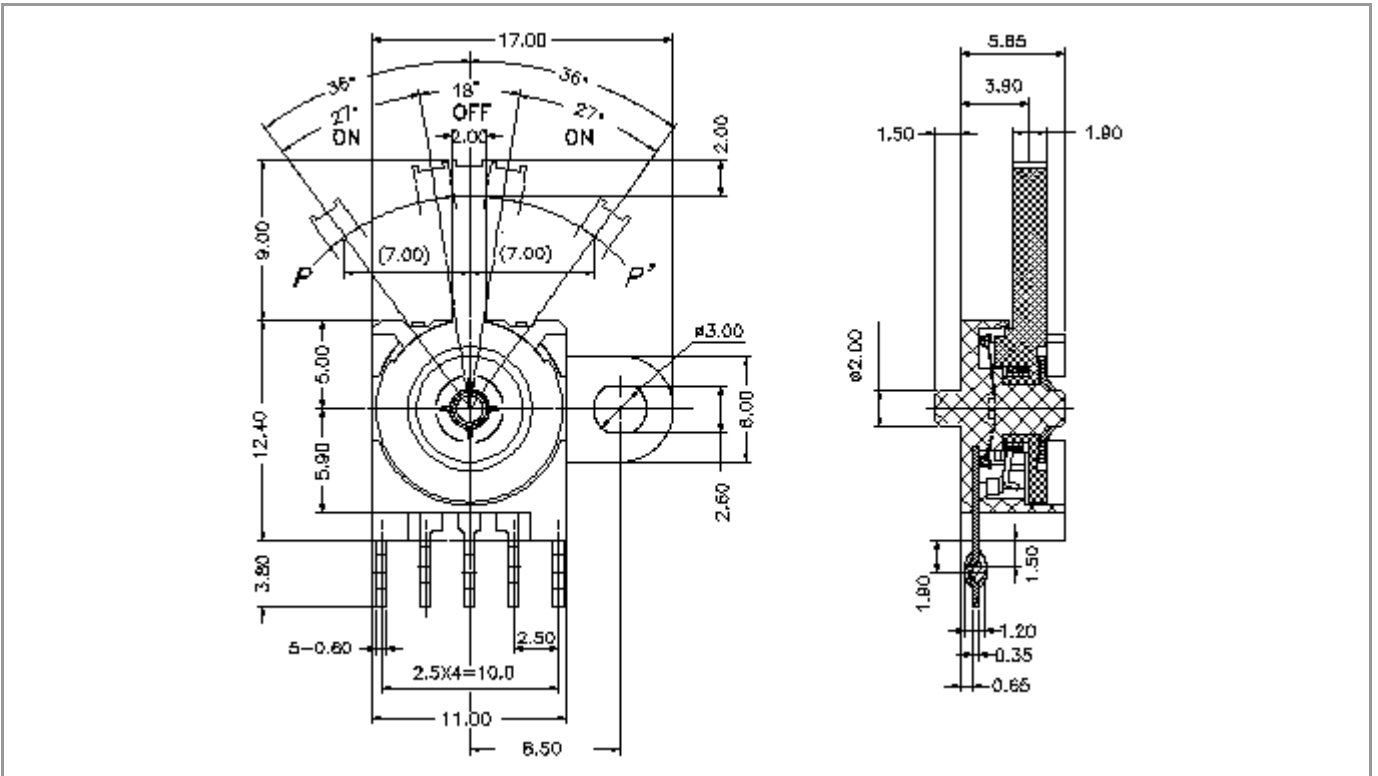


**Specifications**

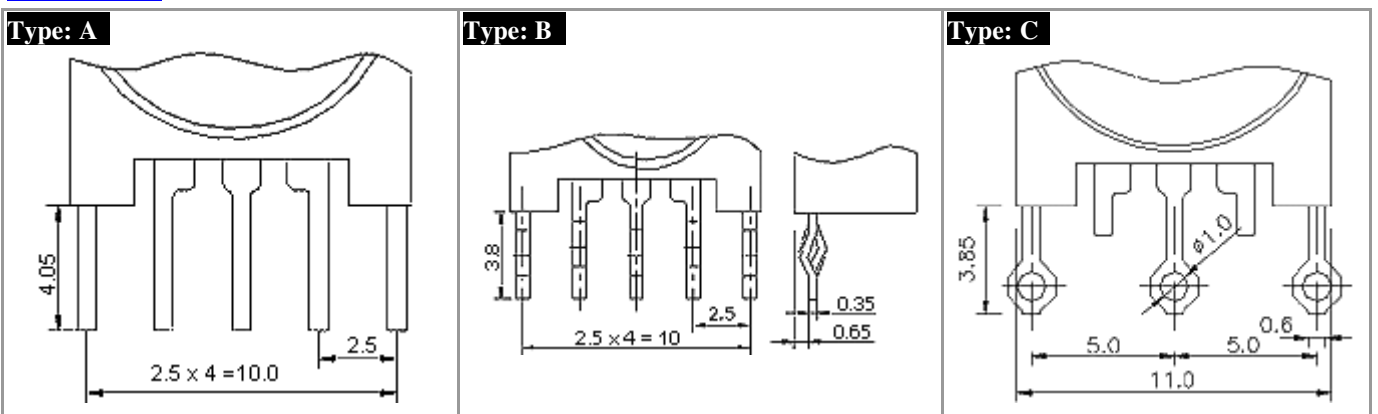
Rating	0.1A/12VDC
Electrical Life:	50,000 cycles min.
Mechanical Life:	100,000 cycles min.
Operating Temp:	-10° C ~ +60° C
Contact Resistance:	100mΩ max. initial
Insulation Resistance:	100 MΩ min.
Dielectric Strength:	100VAC for 60 +/- 5 sec
Operating Force:	70gf max.



**Basic Switch Dimensions**

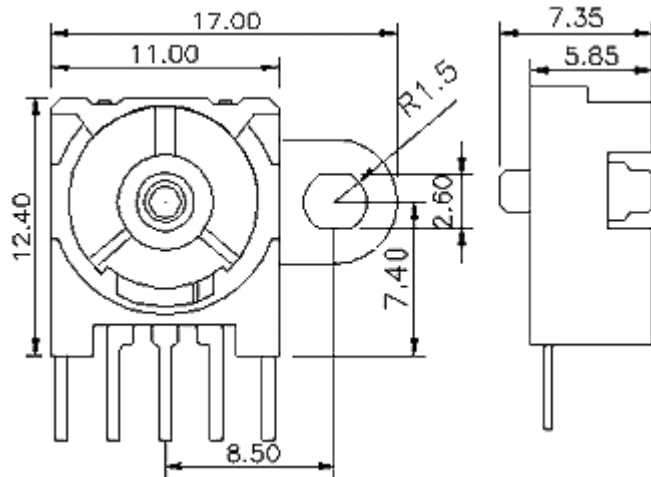


**Terminals**

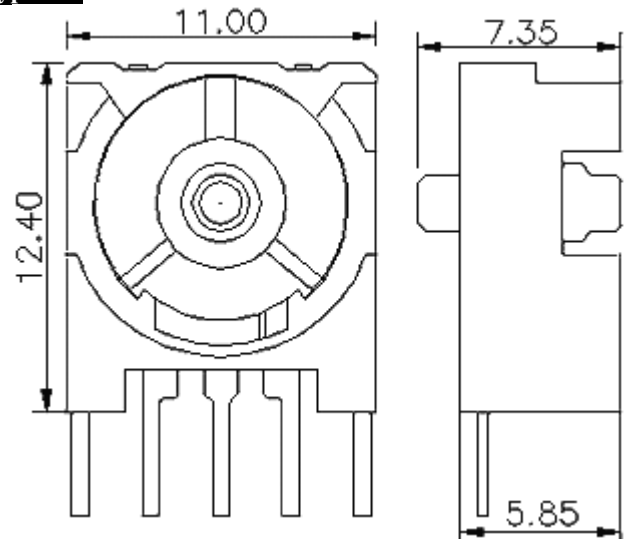


## Switch Base and Mounting Methods

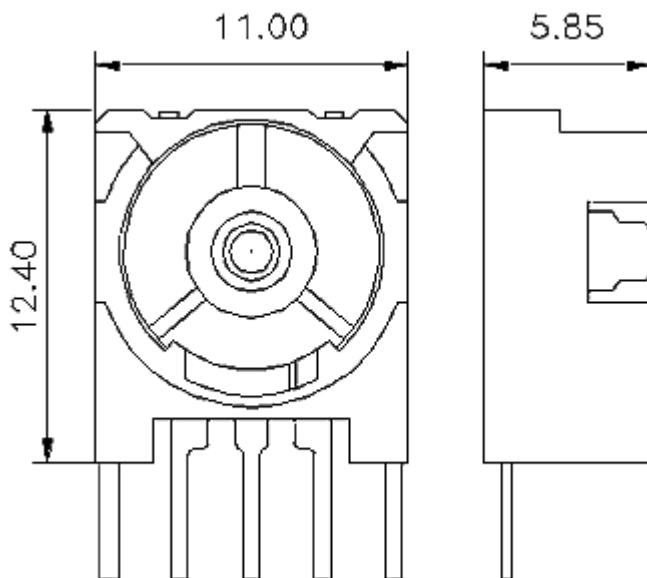
**Type: A**



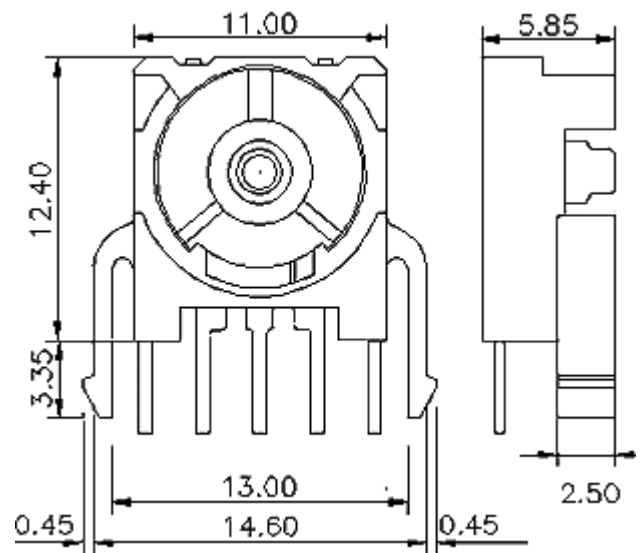
**Type: B**



**Type: C**

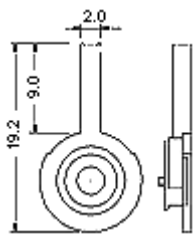


**Type: D**

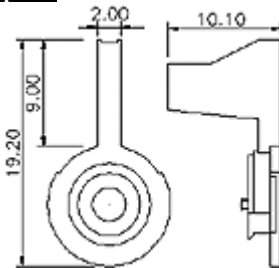


## Actuators

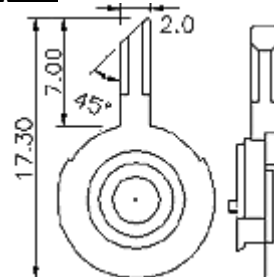
**Type: 1**



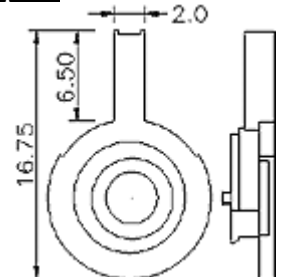
**Type: 2**



**Type: 3**



**Type: 4**



## Ordering Switch:

DS2 - Base Terminal Actuator

Example: DS2 - AB1