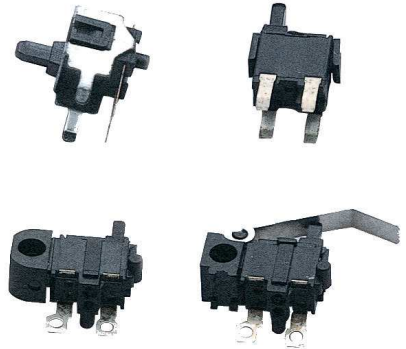


Specifications

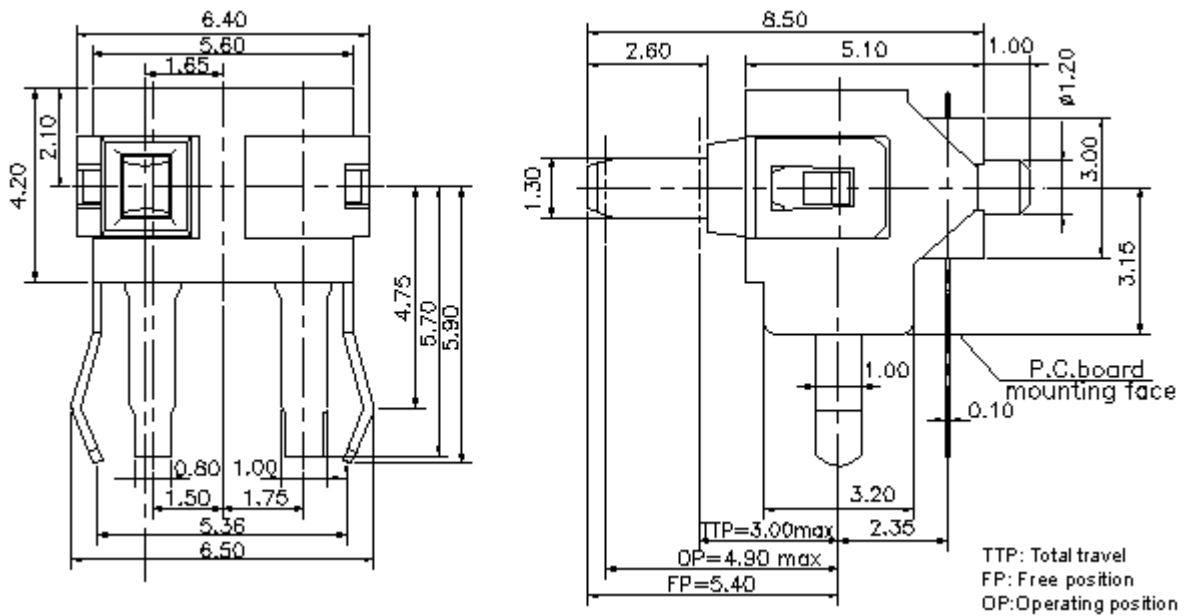
| | |
|------------------------|-------------------------|
| Rating | 0.1A/30VDC |
| Electrical Life: | 50,000 cycles min. |
| Mechanical Life: | 100,000 cycles min. |
| Operating Temp: | -10°C ~ +60°C |
| Contact Resistance: | 500mΩ max. initial |
| Insulation Resistance: | 100 MΩ min. |
| Dielectric Strength: | 100VAC for 60 +/- 5 sec |
| Operating Force: | 36gf max. (at plunger) |



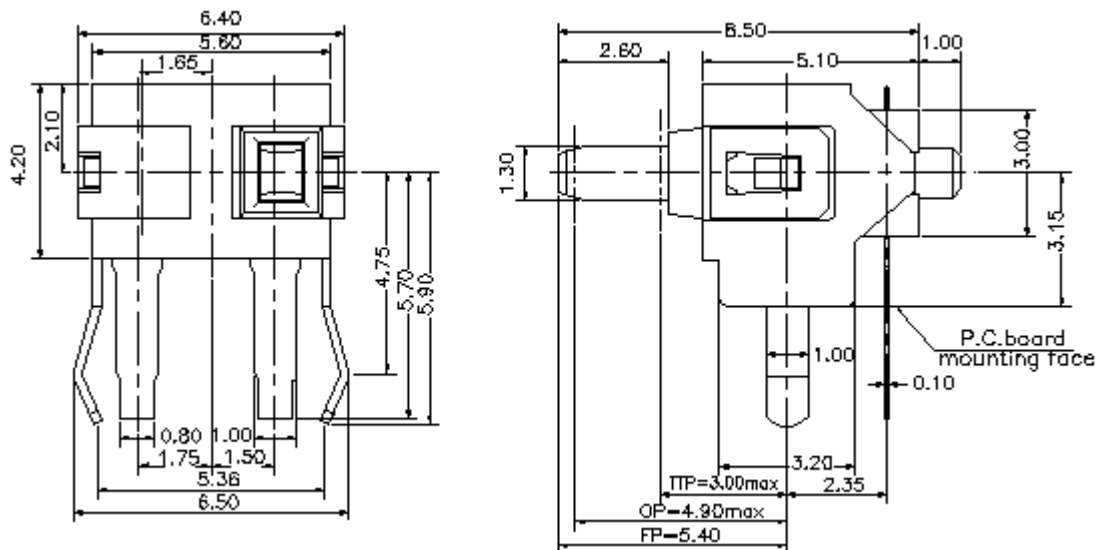
Ordering Qty: 1000pcs

Dimensions

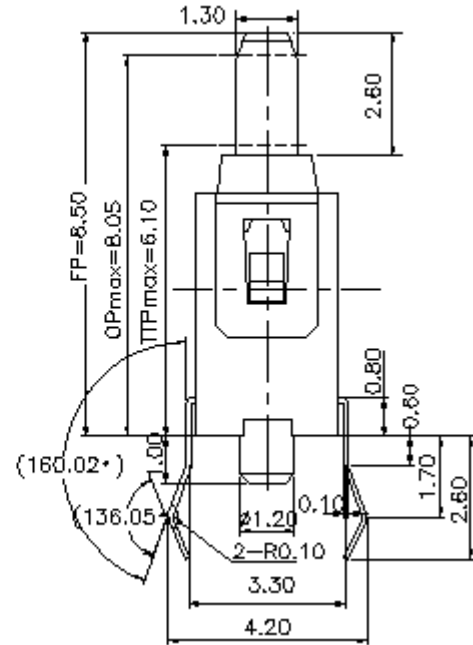
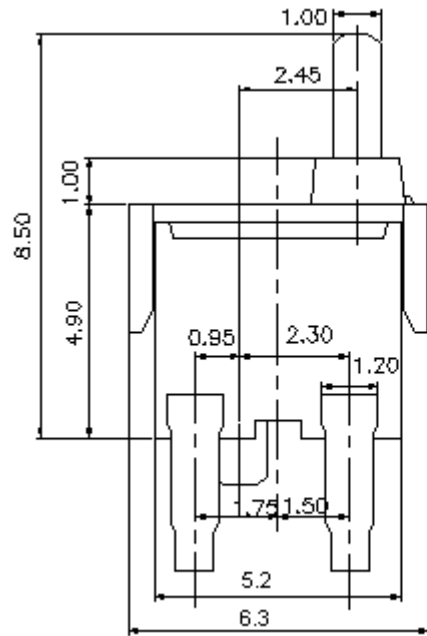
DS1-A-0001



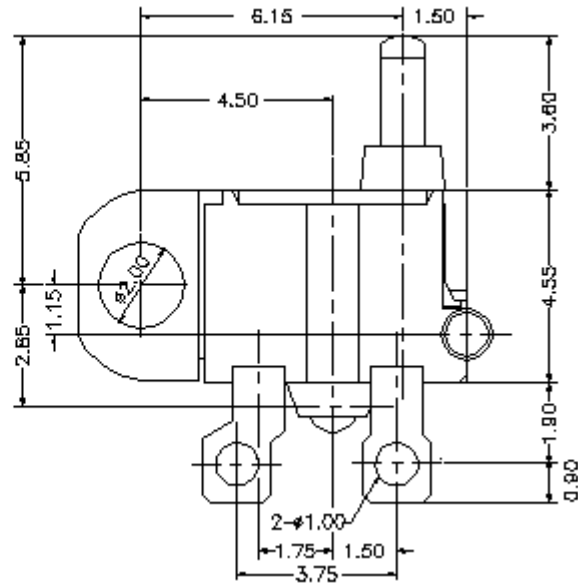
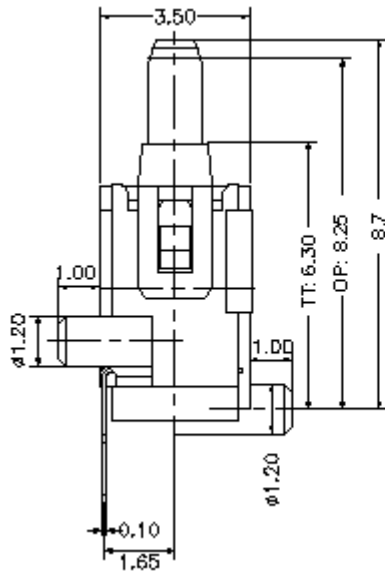
DS1-B-0002



DS1-C-0003



DS3-A-0001



DS3-B-0002

