

R35i Modular



The **R35i Modular** uses OPTO-ASIC technology to provide our highest level of performance in a modular encoder. This innovative technology minimizes components to increase product reliability in the smallest possible package. The R35i also provides optional brushless commutation outputs and the highest resolution data channels available in the industry. The enhanced slide lock mechanism automatically centers and gaps the encoder thus making installation simpler than ever before.

Features:

- Small size 35mm [1.38 inch]
- Patented slide lock for easy installation
- Line count up to 10,000
- 2 data channels in quadrature
- Once around index pulse
- 3 commutation channels (optional)
- CMOS ASIC technology
- 500 KHz frequency response

Environmental:

Operating Temp	-30° to 115°C
Excursion Limits:	
Storage Temp	-40° to 125°C
Shock	100 G's for 6mS duration
Vibration	25 to 2000 Hz @ 20 G's
Humidity	85%/85°C non-condensing
IP Rating	IP40 with closed cover

Mechanical:

Moment of Inertia	2.0g-cm ² [2.9 x 10 ⁻⁵ oz in sec ²] for 8mm hub with metal disk 2.625g-cm ² [3.7 x 10 ⁻⁵ oz in sec ²] for 8mm hub with glass disk
Weight	10 encoders with tray = 10 oz.
Disc Material	Metal 0.05mm THK TYP for 100-5000 resolutions Glass .7mm THK TYP for resolutions of 8000 & above
Hub Material	Stainless Steel
Shaft Max End Play	±0.254mm [± 0.010]
Shaft Run Out	0.025mm [.001"] TIR
Mounting Hardware	
C or H:	2 x M2.5 or #2-56 UNC screws with captive washer
C4 or H4:	2 x M2.5 or #4-40 UNC screws
CR or HR:	No hardware provided

Electrical:

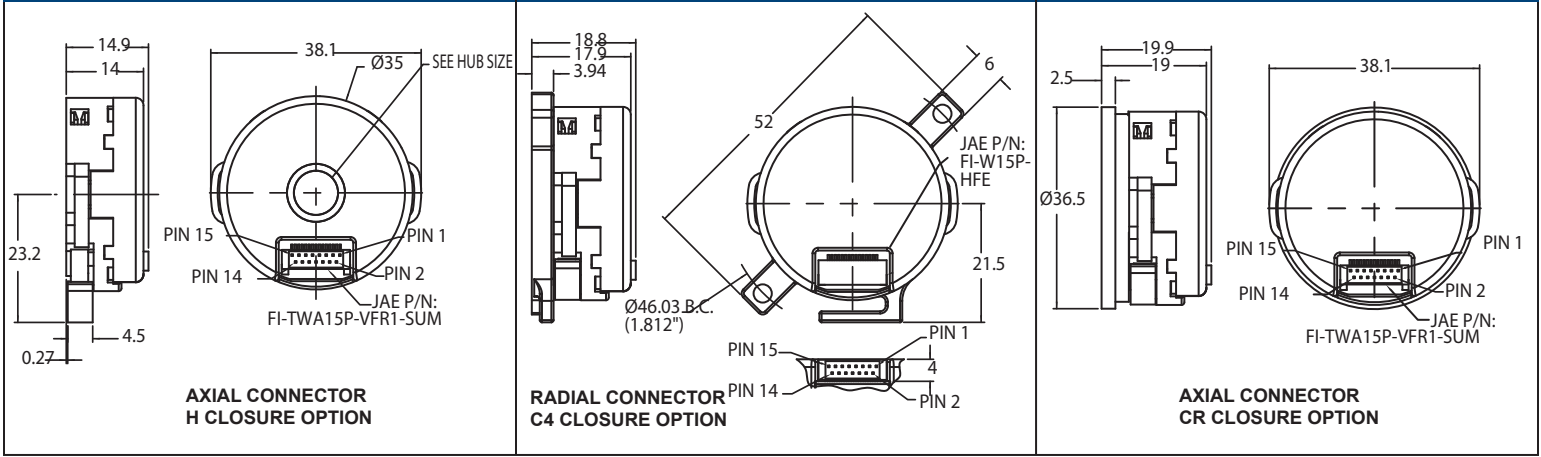
Signals	Incremental plus optional commutation
Input Voltage	5.0 VDC ± 10% Single or Dual Supply
Current	See Pin Functions Table on Page 2
Output Format	A/B in phase quadrature. INDEX width & location gated with respect to data
Output Type	LD = AM26C31 20 mA Source or Sink Max. PP = 4mA Max. Source or Sink VO = Open Collector 4 mA Sink Max.(Comm only)
Output Logic Levels	Logic 0 = 0.5 V Max, Logic 1 = 2.5 V Min.
Operating Frequency	To 500 KHz

Resolution:

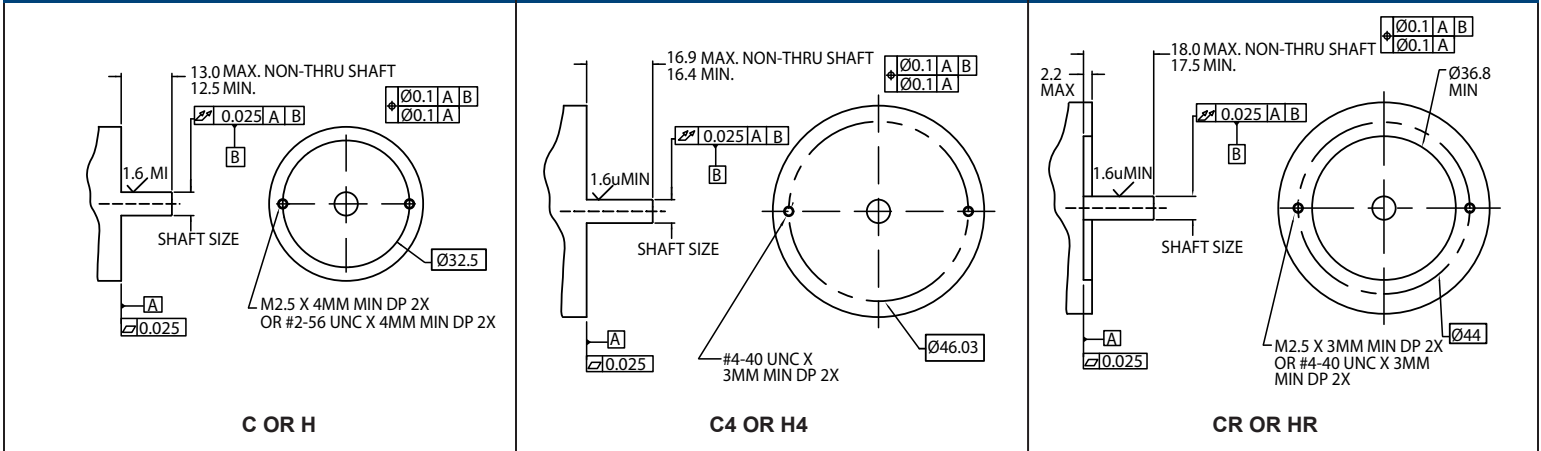
Line Count	100, 200, 250, 256, 400, 500, 512 , 625, 800, 1000, 1024 , 1250, 2000, 2048, 2500, 4000 , 4096, 5000, 8000, 8192 , 10000
Commutation	0, 2, 3, 4
Index Gating	1 = Index Gated with A & B, Index width 90°e ± 45°e 6 = Index Gated with A- & B-, Index width 90°e ± 45°e 7 = Centered on A & B, Index width 270°e ± 45°e 8 = Centered on A- & B-, Index width 270°e ± 45°e

Standard variants are listed in **BOLD**
(other versions upon request)

Mechanical Dimensions



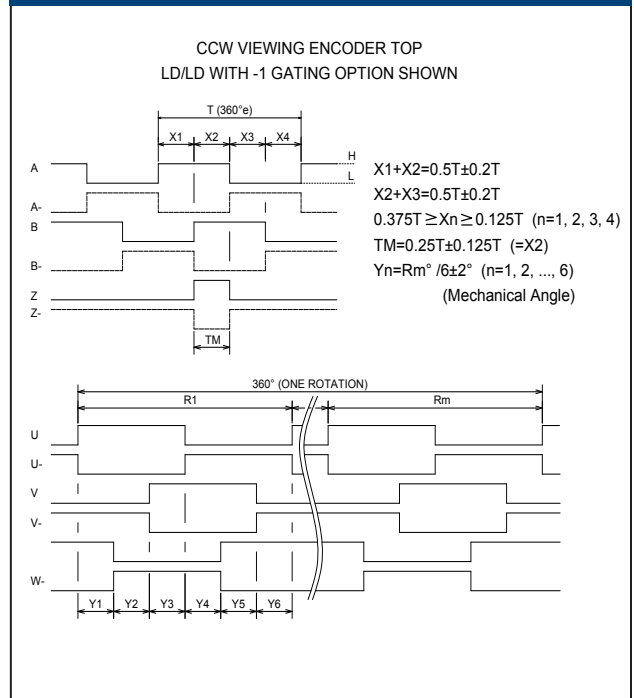
Mounting Requirements



Pin Functions

PIN NO.	5/0 LD/0	5/0 LD/LD	5/0 LD/PP	5/0 PP/0	5/0 PP/PP	5/5 LD/VO
1	A	A	A	A	A	A
2	A-	A-	A-	A	A	A-
3	B	B	B	B	B	B
4	B-	B-	B-	B	B	B-
5	Z	Z	Z	Z	Z	Z
6	Z-	Z-	Z-	Z	Z	Z-
7		U	U		U	U
8		U-				GND2
9		V	V		V	V
10		V-				+5V2
11		W	W		W	W
12		W-				
13	+5V	+5V	+5V	+5V	+5V	+5V
14	GND	GND	GND	GND	GND	GND
15						
CURRENT (mA)	100	160	108	48	56	108

Phase Quadrature



Hub Size

SPECIFY	HUB SIZE +0.01 -0	SHAFT SIZE +0 -0.013
1/8	3.17	3.167
1/8+	3.178	3.175
3/16	4.757	4.754
3/16+	4.765	4.762
1/4	6.345	6.342
1/4+	6.353	6.350
5/16	7.932	7.929
5/16+	7.94	7.937
3/8	9.52	9.517
3/8+	9.528	9.525
4mm	4	3.997
5mm	5	4.997
6mm	6	5.997
8mm	8	7.997

Output Format

VOLTAGE	DATA/COMM
5/0	LD/0 LD/LD LD/PP PP/0 PP/PP
5/5	LD/VO

Closure Option

SPECIFY	W/STRAIN RELIEF	CLOSURE OPTION
C	SC	Closed Cover
H	SH	Cover w/Hole
C4	SC4	46.02 Mtg. Closed Cover
H4	SH4	46.02 Mtg. Cover w/Hole
CR	SCR	Resolver Mtg. Closed Cover
HR	SHR	Resolver Mtg. Cover w/Hole

Connector

A = Axial
R = Radial

Ordering Information

R35i - _____ / _____ - _____ / _____ - **5/** _____ - _____ - _____ - _____
 RESOLUTION See Front Page COMMUTATION See Front Page HUB SIZE OUTPUT FORMAT VOLTAGE See Front Page GATING OPTION See Front Page CONNECTOR CLOSURE OPTION