

LD024D Series

| High Power Constant Current LED Driver | |
|--|------------------|
| Total Power | 24 Watts max. |
| Input Voltages | 110VAC or 230VAC |
| Number of Outputs | One |

Product Specifications

ANZ#: Z165e, December 20, 2010

SPECIAL FEATURES

- Compact size maximizes design flexibility.
- 85 (H) x 54 (W) x 32.5 (H) mm
- Fully potted, suitable for dry and damp location applications
- Phase dimmable, compatible with Standard Triac and Electronics Low Voltage Dimmers
- UL1310 Class 2 (110V) and CE (230V) compliant
- Wide selection of pre-adjusted C/C outputs

ENVIRONMENTAL

| | |
|----------------------------|--|
| Operating temperature: | -20 to +60 °C |
| Storage temperature: | -40 to +85 °C |
| Humidity (Non-Condensing): | 5% to 95% |
| Cooling: | Convection |
| Vibration Frequency: | 5 to 50 Hz |
| MTBF: | >100,000 Hours at full load and 25°C ambient conditions (MIL-217F) |



Picture shown above is not to scale

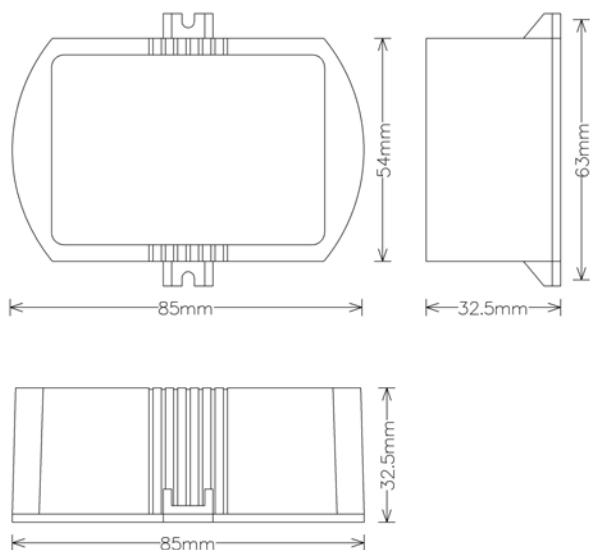
SPECIFICATIONS :

| | |
|---|--|
| Input Range : 110VAC or 220VAC / 0.3~0.15A /47~63Hz | Power Factor: > 0.92 at full load, 115VAC or 230VAC |
| DC Output Range : Refer to Model selection table | Operation Temp. : -20°C ~ +60°C , Tc : 85 °C |
| Efficiency : 82% Typical | Storage Temp. : -40°C ~ +85°C |
| Output Current Regulation : ±5% | MTBF(@25°C) : >100,000 Hours, MIL-217F |
| Protection : OCP, SCP, OVP – Auto Recovery | Regulation Compliance: UL1310 or EN61347, EN55015, EN61547 |
| Dimming : Phase dimmer, leading or trailing edge | Dimension: 85 (H) x 54 (W) x 32.5 (H) mm |

MODEL SELECTION : (110VAC only)

| Model Number (110VAC) | DC Output (Vf) | Max. Output (mA/Watts) | Model Number (230VAC) | DC Output (Vf) | Max. Output (mA/Watts) |
|-----------------------|----------------|------------------------|-----------------------|----------------|------------------------|
| LD024D-CA12020-15 | 10 ~ 20 VDC | 1200 / 24.0 | LD024D-CE12020-15 | 10 ~ 20 VDC | 1200 / 24.0 |
| LD024D-CA10024-15 | 10 ~ 24 VDC | 1000 / 24.0 | LD024D-CE10024-15 | 10 ~ 24 VDC | 1000 / 24.0 |
| LD024D-CA07036-15 | 18 ~ 36 VDC | 700 / 24.0 | LD024D-CE07036-15 | 18 ~ 36 VDC | 700 / 24.0 |
| LD024D-CA05048-15 | 24 ~ 48 VDC | 500 / 24.0 | LD024D-CE05048-15 | 24 ~ 48 VDC | 500 / 24.0 |

MECHANICAL



MODEL SELECTION : LDeed-Caxxyy-dd

LD = LED Driver
 eee = 024 Series
 D = Phase dimmable
 C = Constant Current Output
 a = A: 110VAC or E: 220VAC
 xxx = Output Current x 10
 yy = Output Voltage (VDC)
 dd = Case style