

LED Power Supply Product Specifications

LF2200 Series Switch-Mode LED Driver	
Total Power	200 Watts max.
Input Voltages	100-277 VAC
Number of Outputs	Dual

ANZ#: Z174a, January 16, 2013

SPECIAL FEATURES

- Dual outputs 200-watts max. (2 x 100W channels)
- In compliance to EN61000-3-2, -3-3 Class D
- High Vf support large number of LED in series
- Compatible with 0-10V dimming devices (current-source or current-drain)
- Available in Constant Current output only
- Suitable for dry and damp location applications
- OCP, SCP, OTP (Tc: 82°C) – Auto Recovery
OVP – Shut-down

ELECTRICAL SPECIFICATIONS

Input range	100 to 277 VAC/3.0-1.0A , Full range
Frequency	47 to 63 Hz
Power Factor	> 0.92 at 70%~100% load, 115 and 230VAC
THD	Less than 20%
Inrush current	< 35.0A/115Vac or <70A/230Vac, cold start, 25° C
Efficiency	>90% at 70-100% load at 115VAC ~ 305VAC
EMI filtering	47CFR, Part 2, Part 15 and Cispr PUB, 22 Class B
Maximum power	200 Watts
Line Regulation	5%
Load Regulation	±5%
Ripple Noise	10% typ.
Leakage Current	<0.75mA @ 230VAC
Surge Immunity	6K VAC
Protection	OCP, SCP, OTP (Tc: 82°C) – Auto Recovery OVP – Shut-down

ENVIRONMENTAL

Operating temperature:	-40 to 50 °C (De-rating : 2.5% per °C from 50°C~70°C)
Storage temperature:	-40 to 85 °C
Humidity (Non-Condensing):	5% to 95%
Cooling:	Convection
Vibration Frequency:	5 to 50 Hz
MTBF:	>100,000 Hours at full load and 50°C ambient conditions (MIL-217F)
EMC :	Compliant to 47CFR, Part 2, Part15 and Cispr PUB, 22 Class B
Acoustic Noise:	Less than 24db (20~20K Hz)

SAFETY COMPLIANT

UL/cUL	UL8750
CE	EN55015, EN61547, EN61347, EN61000-3-2 D

MODEL SELECTION

Model	Constant Current Mode / Forward Voltage			Max. Output Per Channe (W)	Max. Output (W)
	Output	Constant Crrrent (If)	Forward Voltage (Vf)		
LF2200-286286-FcSc	Fc	300 ~ 550mA	100 ~ 286VDC	100	200
	Sc	300 ~ 550mA	100 ~ 286VDC	100	200
LF2200-160160-FcSc	Fc	620-1000mA	50 ~ 160VDC	100	200
	Sc	620-1000mA	50 ~ 160VDC	100	200
LF2200-286160-FcSc	Fc	300 ~ 550mA	100 ~ 286VDC	100	200
	Sc	620-1000mA	50 ~ 160VDC	100	200

MODEL INFORMATION

Model Information – LF2200-XXXYYY-FcSc-DC (i.e. LF2200-286160-3562, 286V/350mA & 160V/620mA)

2200 = Dual outputs 200W total, 100W each channel

XXX = First Output Voltage

YYY = Second Output Voltage

FcSc = “Fc”: First output current rating ; “Sc”: second output current rating

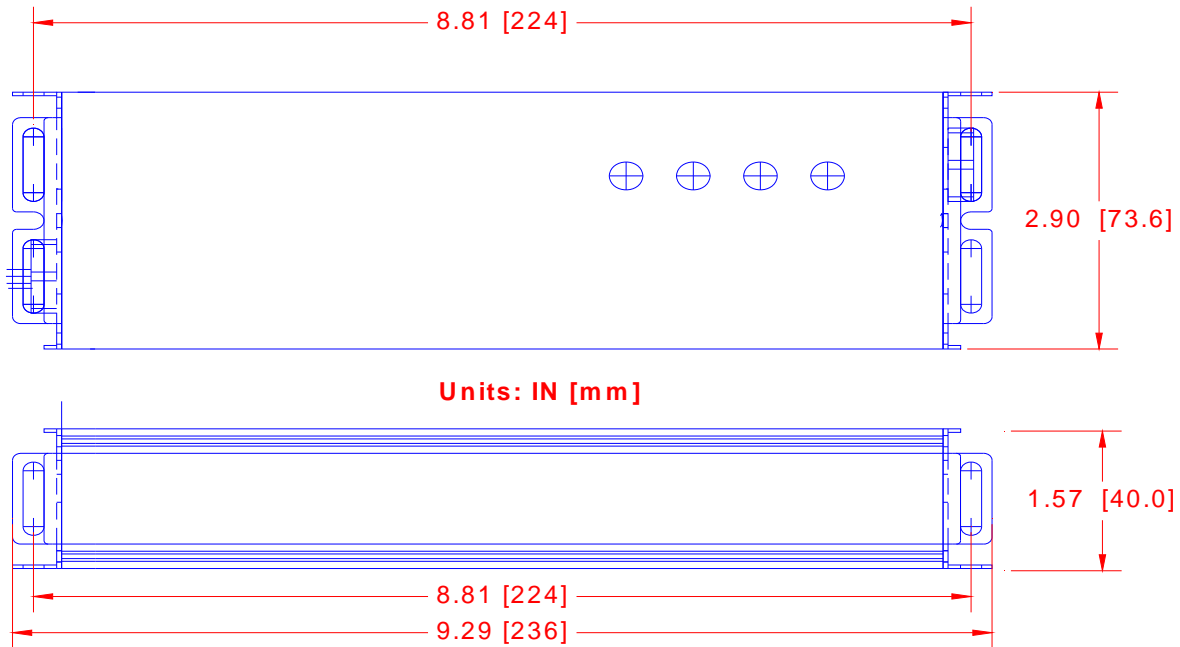
Available output Current Chart

Fc				Sc			
30	300mA / 143~286VDC	45	450mA / 111~222VDC	62	620mA / 80~160VDC	80	800mA / 62~125VDC
32	320mA / 143~286VDC	48	480mA / 104~208VDC	65	650mA / 77~154VDC	85	850mA / 59~118VDC
35	350mA / 143~286VDC	50	500mA / 100~200VDC	68	680mA / 73~147VDC	90	900mA / 55~111VDC
38	380mA / 132~263VDC	52	520mA / 100~192VDC	70	700mA / 71~143VAC	95	950mA / 52~105VDC
40	400mA / 125~250VDC	55	550mA / 100~182VAC	72	720mA / 70~138VDC	100	1000mA / 50~100VDC
42	420mA / 119~238VDC			75	750mA / 67~134VDC		

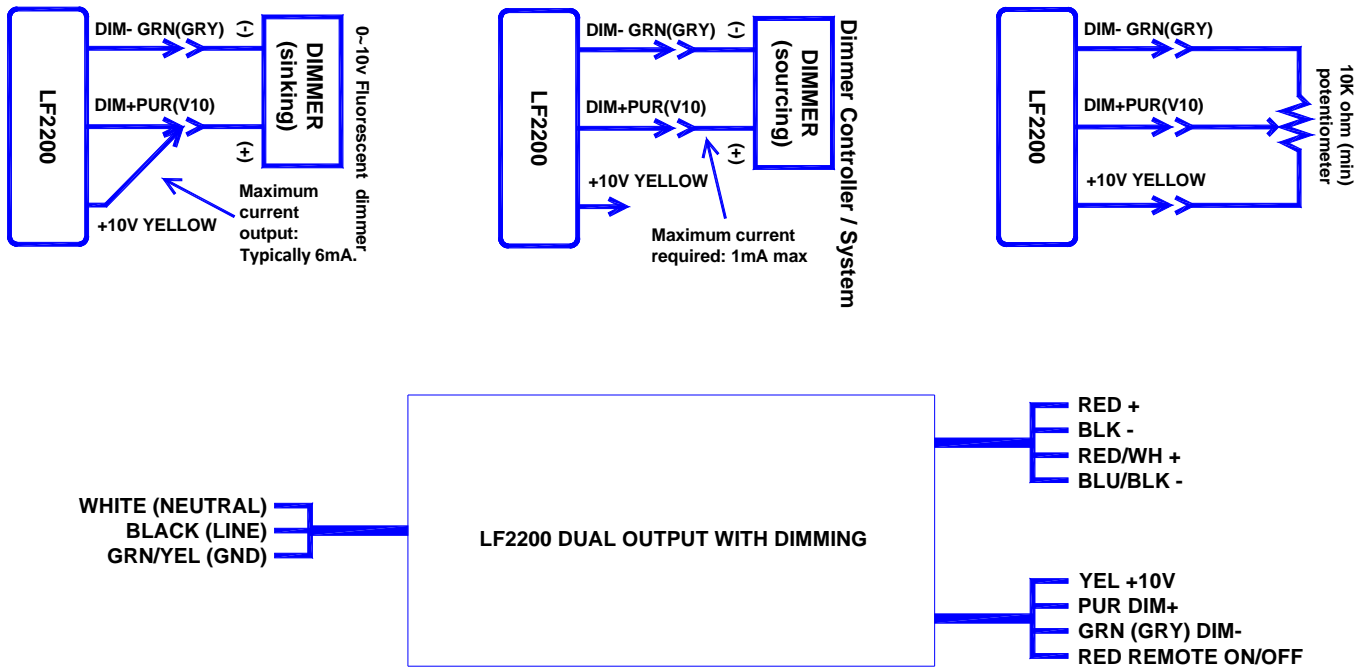
DM (Optional or Black) D = Dimming CTL (1-10VDC) ; M = C (Constant Current) step dimming mode

DM output wires: Gray (Dim-); Purple (Dim+); Yellow (10VDC)

MECHANICAL DRAWING



DIMMING CONTROL



Note: RED wire in dimming control cable must be grounded to turn on the driver.