

# Desktop Adapter

# Product Specifications

ANZ#: Z061C, March 19, 2003

10W, 15W, 36W, 42W, 50W and 60W Switch-Mode Power Supply	
Total Power	10 – 60Watts
Input Voltages	90-264 VAC
Number of Outputs	One

## ENVIRONMENTAL

Operating temperature:	0 to 40 ° C
Storage temperature:	-20 to 80 ° C
Humidity (Non-Condensing):	5% to 95%
Cooling:	Convection
Vibration Frequency:	5 to 50 Hz
MTBF:	>80,000 Hours at full load and 25°C ambient conditions

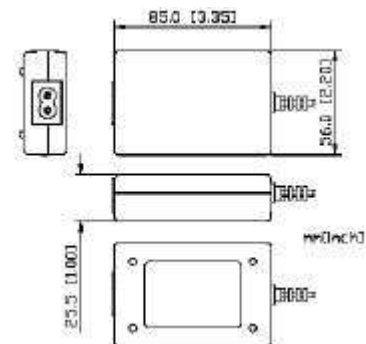
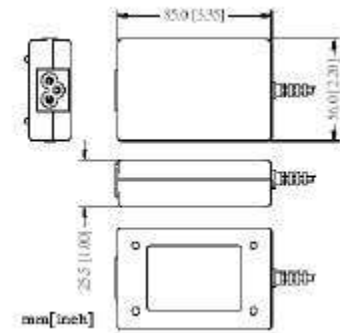
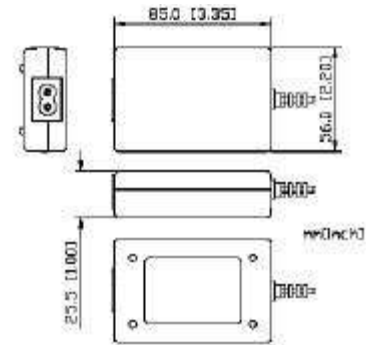
## ELECTRICAL SPECIFICATIONS

Input range	90 to 264 VAC, Full range
Frequency	47 to 63 Hz
Inrush current	40.0 Amps maximum at both 115/230VAC
Efficiency	80% typical at 120VAC and maximum load
EMI filtering	FCC class B, CISPR 22 class B, VCCI class B
Maximum power	Refer to table below
Voltage regulation	±5%
Ripple/Noise (p-p)	1% (20Mhz bandwidth)
Hold up time	12mS minimum at full load, 115VAC
Protection	Overload protection Short circuit and overload protection: output short circuit, auto recovery

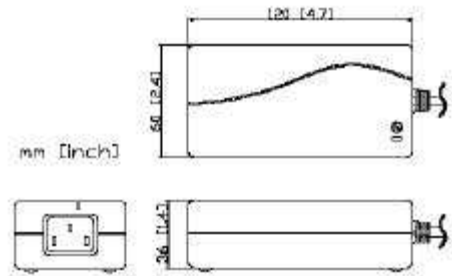
Model	Output Rating	UL	cUL	TUV	CE	BS
VE10B-050	+5.0VDC / 2.0A	◆	◆	◆	◆	◆
VE10B-060	+6.0VDC / 1.66A	◆	◆	◆	◆	◆
VE10B-075	+7.5VDC / 1.33A	◆	◆	◆	◆	◆
VE10B-090	+9.0VDC / 1.11A	◆	◆	◆	◆	◆
VE10B-120	+12.0VDC / 830mA	◆	◆	◆	◆	◆

Model	Output Rating	UL	cUL	TUV	CE	BS
VE15A-050	+5.0VDC / 3.0A	◆	◆	◆	◆	◆
VE15A-060	+6.0VDC / 2.5A	◆	◆	◆	◆	◆
VE15A-070	+7.0VDC / 2.15A	◆	◆	◆	◆	◆
VE15A-075	+7.5VDC / 2.0A	◆	◆	◆	◆	◆
VE15A-090	+9.0VDC / 1.67A	◆	◆	◆	◆	◆
VE15A-120	+12VDC/1.5A	◆	◆	◆	◆	◆
VE15A-150	+15VDC/1.0A	◆	◆	◆	◆	◆
VE15A-240	+24VDC/625mA	◆	◆	◆	◆	◆
VE15A-360	+36VDC/420mA	◆	◆	◆	◆	◆

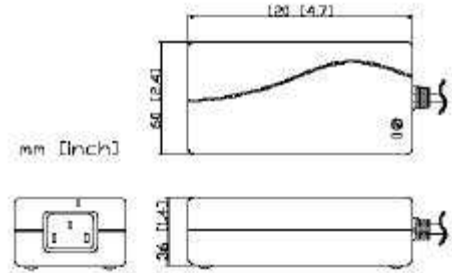
Model	Output Rating	UL	cUL	TUV	CE	BS
VE15B-050	+5.0VDC / 3.0A	◆	◆	◆	◆	◆
VE15B-060	+6.0VDC / 2.5A	◆	◆	◆	◆	◆
VE15B-070	+7.0VDC / 2.15A	◆	◆	◆	◆	◆
VE15B-075	+7.5VDC / 2.0A	◆	◆	◆	◆	◆
VE15B-090	+9.0VDC / 1.67A	◆	◆	◆	◆	◆
VE15B-120	+12VDC/1.5A	◆	◆	◆	◆	◆
VE15B-150	+15VDC/1.0A	◆	◆	◆	◆	◆
VE15B-240	+24VDC/625mA	◆	◆	◆	◆	◆



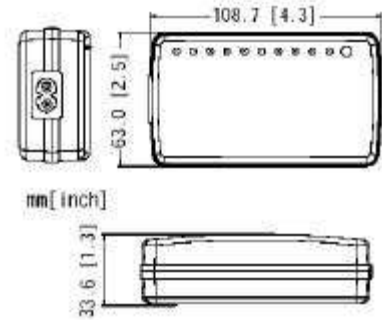
Model	Output Rating	UL	cUL	TUV	CE	BS
HPA-3612U	+12VDC / 3.0A	◆	◆	◆	◆	◆
HPA-3624U	+24VDC / 1.5A	◆	◆	◆	◆	◆
HPA-4214U	+14VDC / 3.0A	◆	◆	◆	◆	◆



Model	Output Rating	UL	cUL	TUV	CE	BS
VE50-1200	+12VDC / 4.0A	◆	◆	◆	◆	◆
VE50-1500	+15VDC / 3.4A	◆	◆	◆	◆	◆
VE50-2400	+24VDC / 2.0A	◆	◆	◆	◆	◆
VE50-050A	+5.1VDC / 6.0A	◆	◆	◆	◆	◆
VE50-150A	+15.0VDC / 2.5A	◆	◆	◆	◆	◆



Model	Output Rating	UL	cUL	TUV	CE	BS
VAN60-150C	+15VDC / 4.0A	◆	◆	◆	◆	◆
VAN60-160C	+16VDC / 3.75A	◆	◆	◆	◆	◆
VAN60-170C	+17VDC / 3.5A	◆	◆	◆	◆	◆
VAN60-180C	+18VDC / 3.35A	◆	◆	◆	◆	◆
VAN60-190C	+19VDC / 3.16A	◆	◆	◆	◆	◆
VAN60-200C	+20VDC / 3.0A	◆	◆	◆	◆	◆
VAN60-240C	+24VDC / 2.5A	◆	◆	◆	◆	◆



Unit: mm

Model	Output Rating	UL	cUL	TUV	CE	CCC
HPA-401234U	+12VDC / 3.40A	◆	◆	◆	◆	◆
HPA-501242U	+12VDC / 4.20A	◆	◆	◆	◆	◆
HPA-601250U	+12VDC / 5.00A	◆	◆	◆	◆	◆

