

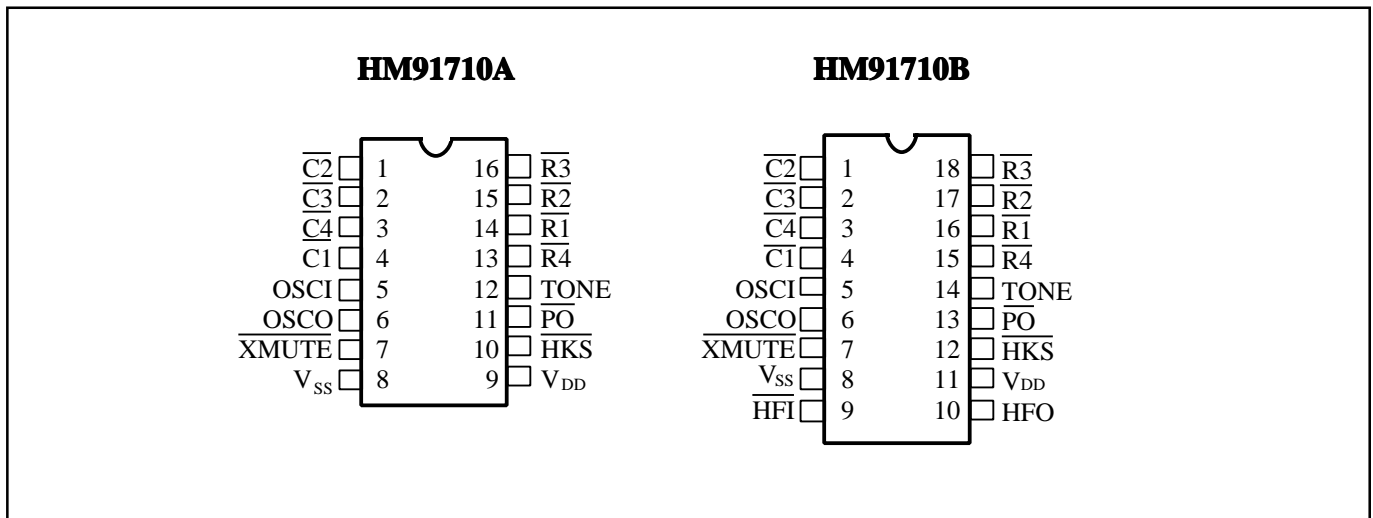
## GENERAL DESCRIPTION

The HM91710A/B are Tone/Pulse switchable dialer which are fabricated in CMOS technology with wide operating voltage for both tone and pulse mode, and consumes very low memory retention current in ON-HOOK state.

## FEATURES

- Tone/pulse switchable dialer.
- One 32-digit last number redial memory.
- Pulse to tone (P→T) is provided for PBX operation.
- Flash key is available.
- Minimum tone duration is 98ms or 83ms.
- Minimum intertone pause is 98ms or 83ms.
- Uses 3.579545 MHz crystal or ceramic resonator.
- Many options can be selected.  
Mode (10 PPS ; 20 PPS ; Tone)  
M/B ratio (40 : 60 ; 33 : 66)  
Pause time (3.6s)
- Flash function (RESET)  
P→T pause time (3.6s)  
Flash time (600ms; 300ms; 100ms; or 80ms).
- Mixed dialing.
- Handfree function is provided for speaker phone application.
- Power on reset circuit is provided.
- Package in DIP18 or DIP16.

## PIN ASSIGNMENTS

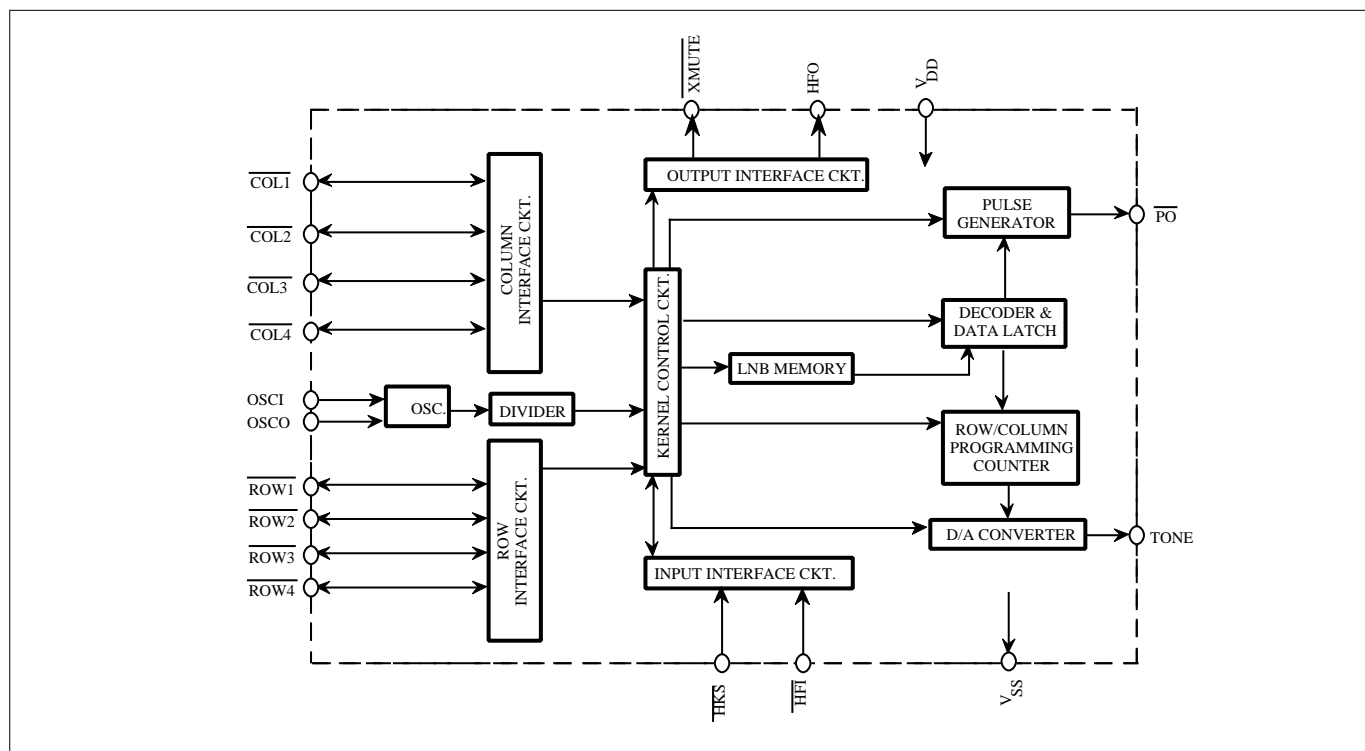


**KEYBOARD ASSIGNMENT**

	C1	C2	C3	C4
R1	1	2	3	P→T
R2	4	5	6	F
R3	7	8	9	P
R4	*	0	#	RD

- 1). P→T : In pulse mode, execute P→T function.
- 2). F : Flash key.
- 3). RD : Redial key.
- 4). P : Pause key.

**FUNCTIONAL BLOCK DIAGRAM**



**DIALING SIGNAL OPTION :**

a):Flash time:

Row3	Row4	flash time(ms)
NR	NR	600
NR	R	300
R	NR	100
R	R	80

b).

Row1	Row2	MODE	PULSE RATE	M/B
R	NR	TONE	—	—
R	R	TONE	—	—
NR	NR	PULSE	20PPS	40:60
NR	R	PULSE	20PPS	33:66
UR	NR	PULSE	10PPS	40:60
UR	R	PULSE	10PPS	33:66

c):Tone function:

Col1	Tone Duration	inter-Tone Pause
NR	98 ms	98 ms
R	83 ms	83 ms

Note: NR:no resistance.

R : A resistance connect to Vss (820KΩ typically)

UR: A resistance connect to V DD

**PIN DESCRIPTION**

Symbol	Function
$\overline{C1}$ $\overline{C2}$ $\overline{C3}$ $\overline{C4}$  $\overline{R1}$ $\overline{R2}$ $\overline{R3}$ $\overline{R4}$	<p>Provides keyboard scanning .</p> <p><b>a. Keyboard scanning:</b></p> <p>HKS pin is LOW, the column group stays in "HIGH" state and row group stays in "LOW" state.</p> <p>The key pad is compatible with the standard dual contact matrix keyboard (as Figure 1b.), the inexpensive single contact keyboard (as Figure 1a.), and electronic input (as Figure 1c.).</p> <p>When HKS is "low", a valid key entry is defined by related Row &amp; Column connection or by electronic input; (as show in Figure 1c).</p> <p>Activation of two or more keys will result in no response, except for single key.</p> <p>To avoid keyboard bouncing error, this chip provides built-in debounce circuit. (The debounce time = 20 ms.)</p> <div style="text-align: center;"> <p>Figure 1a : Single contact form keyboard configuration</p> </div> <div style="text-align: center;"> <p>Figure 1b : Dual contact form keyboard configuration</p> </div> <div style="text-align: center;"> <p>Figure 1c : Electronic signal input keyboard configuration</p> </div>
$\overline{OSCI}$ $\overline{OSCO}$	<p>Oscillator input &amp; Oscillator output pins.</p> <p>The 3.579545 MHz oscillator is formed by a built-in inverter inside of this chip and by connecting a 3.579545 MHz crystal or a ceramic resonator across the OSCI and OSCO pins. (built-in feedback resistor and capacitor)</p> <p>When HKS is low, a valid key-in may turn on this oscillator and generates a 3.579545 MHz clock.</p>
$\overline{XMUTE}$	<p>Mute output pins.</p> <p>NMOS open drain output structure.</p> <p>The output is in low state during dialing sequence (both Pulse and Tone mode) otherwise this pin is "high-impedance".</p> <p>Long (continue) Mute.</p>
$V_{SS}$	Negative power supply pin.
$V_{DD}$	Positive power supply pin.
$\overline{HKS}$	<p>Hook switch input pin.</p> <p>When the handset is in ON-HOOK state, this pin must be pulled "high" in order to disable the dialing operation and decrease the power consumption.</p> <p>When in OFF-HOOK state, the HKS pin must be pulled "low" state for all function operation.</p>
$\overline{PO}$	<p>Pulse output signal pin.</p> <p>NMOS open drain output structure.</p> <p>The output is "low" during pulse dialing and Flash operation, otherwise this output is "floating".</p>

Symbol	Function
TONE	<p>Dual Tone Multi-frequency output pin.</p> <p>In TONE mode, when a entry of digit key (include * , # key), this pin will sent out a corresponding DTMF signal.</p> <p>The TONE pin provides minimum tone duration (<math>t_{TD}</math>), &amp; minimum intertone pause time to support rapid key-in. If key-in time is less than <math>t_{TD}</math> , DTMF signal will last for <math>t_{TD}</math> , otherwise the tone duration will last as long as the key is pressed.</p>
HFI	<p>Handfree input control pin.</p> <p>Toggle input sturcture, falling edge trigger.</p> <p>It is used to enable and disable Handfree function.</p> <p>With waveshaped by a built-in Schmit trigger, the bounce of input can be eliminated by external R, C debounce circuit.</p> <p>A built-in pull up resistor is 200K typical.</p>
HFO	<p>Handfree output pin.</p> <p>Inverter output structure (normally "low", active "high").</p> <p>When a HFI pin is active, Handfree function will be enabled (HFO=1) or disabled (HFO=0).</p> <p>When the Handfree function is enable (HFO=1), after OFF-HOOK action, it can reset Handfree function and HFO pin return to "low" state.</p>

## FUNCTION DESCRIPTION

### Keyboard Operation

#### Symbol definitions:

- a).  $\uparrow$  : OFF-HOOK or enable Hand Free function.
- b).  $\downarrow$  : ON-HOOK or disable Hand Free function.
- c).  $D_1 \dots D_n$  : Digit key; 1,2,3,4,5,6,7,8,9,0,\*,# ( $C_1 \dots C_n$  is same as  $D_1 \dots D_n$ ).
- d).  $D_{p1} \dots D_{pn}$  : Pulse digit ; 1,2,3,4,5,6,7,8,9,0, ( $C_{p1} \dots C_{pn}$  is same as  $D_{p1} \dots D_{pn}$ ).
- e).  $D_{t1} \dots D_{tn}$  : Tone digit ; 1,2,3,4,5,6,7,8,9,0,\*, # ( $C_{t1} \dots C_{tn}$  is same as  $D_{t1} \dots D_{tn}$ ).
- f).  $t_F$  : Flash time.
- g).  $t_p$  : Pause time.
- h).  $t_{PT}$  : Pulse to Tone wait time.
- i).  $t_{FP}$  : Pause time for flash.
- j).  $t_{RP}$  : Pause time for redial.
- k). LNB : Last number redial buffer.

### A. Normal Dialing

#### 1. Digit Dialing

- Procedure :  $\uparrow D1, D2 \dots \dots \dots, Dn \downarrow$
- Dial out :  $Dt1, Dt2 \dots \dots \dots, Dtn$  in tone mode
- Dial out :  $Dp1, Dp2 \dots \dots \dots, Dpn$  in pulse mode
- LNB :  $D1, D2 \dots \dots \dots Dn$

**2. Dialing with flash key**

Procedure :  $\uparrow$  F,D1,D2 . . . . . , Dn $\downarrow$   
Dial out :  $t_p$ , Dt1,Dt1 . . . . . , Dtn in tone mode  
Dial out :  $t_p$ ,Dp1,Dp1 . . . . . , Dpn in pulse mode  
LNB : D1, D2 . . . . . Dn

**3. Dialing with P $\rightarrow$ T key**

Procedure :  $\uparrow$  D1, D2 . . . . . ,P $\rightarrow$ T, . . . . . , Dn $\downarrow$   
Dial out : Dp1, Dp2, . . . .  $t_{PT}$ , . . . . . , Dtn in pulse mode  
LNB : D1, D2 . . . . . ,P $\rightarrow$ T, . . . . Dn  
Note : If key in digit over maximum digit stored in LNB, then RD is inhibited even after on/off hook.

**B. Mixed dialing**

Procedure :  $\uparrow$  D1, D2 . . . . . ,P $\rightarrow$ T, D9,D10, . . . . . , Dn $\downarrow$   
Dial out : Dp1, Dp2, . . . .  $t_{PT}$ , Dt9,Dt10 . . . . . , Dtn  
LNB : D1, D2 . . . . . ,P $\rightarrow$ T, D9,D10 . . . . Dn

**C. Redial**

LNB : D1, D2 . . . . . Dn  
Procedure :  $\uparrow$  RD  $\downarrow$   
Dial out : Dt1, Dt2, . . . . Dtn in tone mode  
Dial out : Dp1, Dp2, . . . . Dpn in pulse mode  
Note : If key in digit over maximum digit stored in LNB, then RD is inhibited.

**D. Pause Function**

Procedure :  $\uparrow$  D1, D2, . . . .Dn, P, C1 . . . . .Cn $\downarrow$   
Dial out : Dt1, Dt2, . . . . Dtn ,  $t_p$ , Ct1 . . . . . Ctn in tone mode  
Dial out : Dp1, Dp2, . . . . Dpn, $t_p$ , Cp1 . . . . .Cpn in pulse mode  
LNB : D1, D2 . . . . . Dn, P, C1, C2 . . . . .Cn

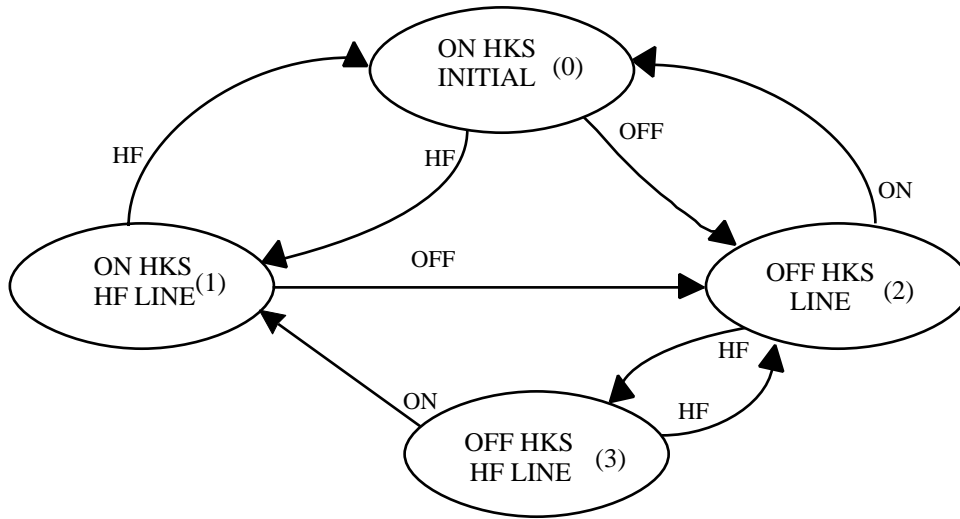
**E. Flash Function**

1. Reset  
Procedure :  $\uparrow$  D1, D2, . . . .Dn, F, C1 . . . . .Cn  $\downarrow$   
Dial out : Dt1, Dt2, . . . . Dtn ,  $t_p$ ,Ct1 . . . . . Ctn in tone mode  
Dial out : Dp1, Dp2, . . . . Dpn,  $t_p$ ,Cp1 . . . . .Cpn in pulse mode  
LNB : C1, C2 . . . . . Cn

**Handfree function operation:**

- A). To execute Handfree function : When HFO = "low",  $\overline{\text{HFI}}$  pin is active , the Handfree function will be enabled (HFO="HIGH").
- B). Reset Handfree function:
  - a. OFF-HOOK action.
  - b. When HFO="high", a  $\overline{\text{HFI}}$  pin is active again , the Handfree function will be reset (HFO="LOW").

**Operating flow chart of Handfree**

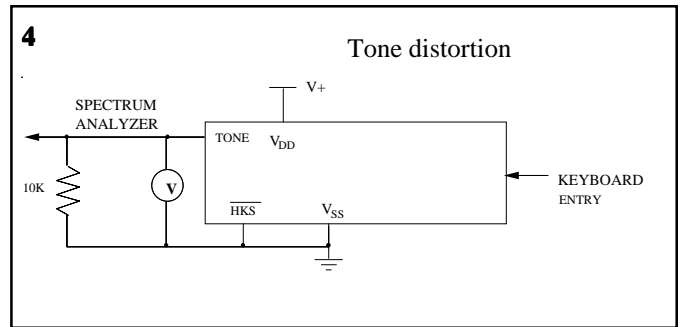
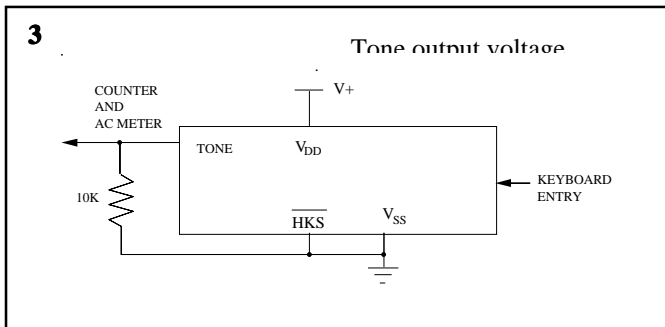
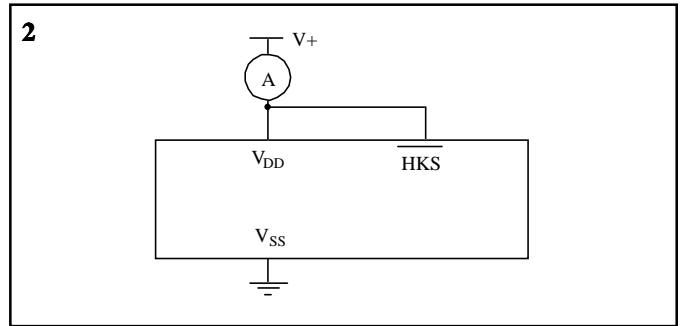
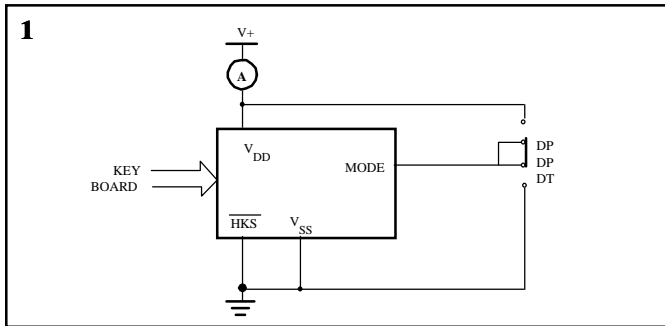


STATE NO.	$\overline{PO}$	$\overline{XMUTE}$	HFO
(0) INITIAL STATE	F	F	0
(1) ON HKS HF LINE	F	F	1
(2) OFF HKS LINE	F	F	0
(3) OFF HKS HF LINE	F	F	1

\* F : Floating (Hi-impedance)

\* Note :  
ON : ON HKS  
OFF : OFF HKS  
HF : Pressed HF key

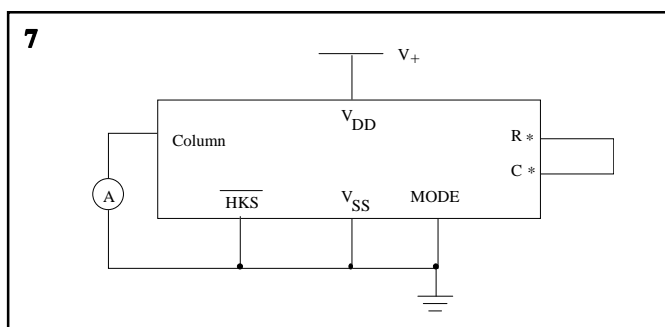
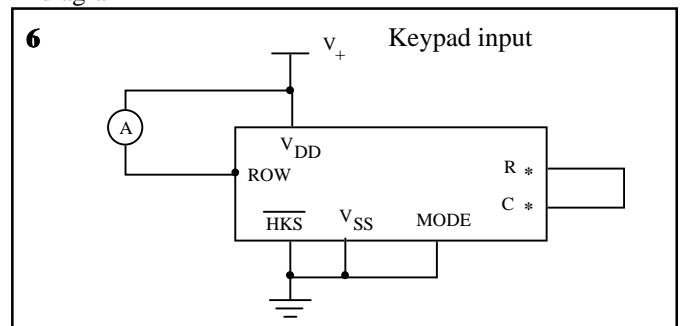
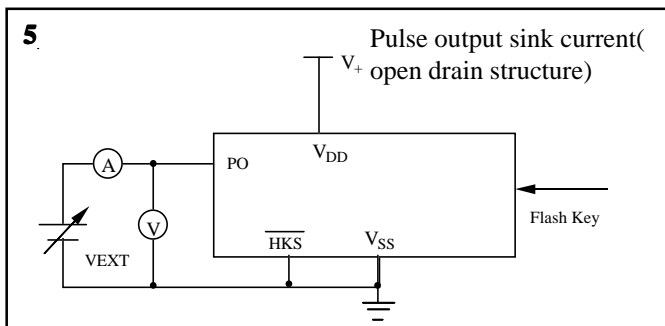
**TEST CIRCUIT**



\*\*

$$\text{DIST. (dB)} = 20 \log \frac{\sqrt{\tilde{A}(V1)^2 + (V2)^2 + \dots + (Vn)^2}}{\sqrt{\tilde{A}(VL)^2 + (VH)^2}}$$

- a. V1....Vn are extraneous frequencies (ie, inter modulation and harmonic) components in the 500Hz to 3400Hz band.
- b. VL, VH are the individual frequency components of the DTMF signal
- c. Whether keyboard is pushed refer to the TONE mode time diagram



$I_{\text{sink}} = I / (1 - \text{Duty Cycle})$  I is the net DC current measured from amper meter.

R\*, C\* mean others column and row.

**ABSOLUTE MAXIMUM RATINGS** (Ambient Temperature is 25°C, All voltage referenced to  $V_{SS}$ .)

Parameter	Sym.	Ratings	Unit
Power Supply Voltage	$V_{DD}$	6.0	V
Input Voltage Range	$V_{IN}$	$-0.3 \sim V_{DD} + 0.3$	V
Operating Temperature	$T_{OPR}$	0 ~ 50	°C
Storage Temperature	$T_{STO}$	-55 ~ 125	°C
Power Dissipation	$P_D$	500	mw

**ELECTRICAL CHARACTERISTICS** (I) (Ambient Temperature is 25°C, All voltage referenced to  $V_{SS}$ ,  $V_{DD} = 2.5V$ , unless otherwise noted.)

 (General purpose specification,  $f_{osc} = 3.579545$  MHz)

Parameter	Sym.	Conditions	Min.	Typ.	Max.	Unit
Operating Voltage	$V_{DD}$	Tone	2.5	-	5.5	
		Pulse	2.0	-	5.5	V
		Memory retention	1.0	-	5.5	
Operating Current	$I_{op}$	Tone	-	0.6	2	mA
		Pulse OFF-HOOK, Keypad entry	-	0.2	0.5	mA
Standby Current	$I_s$	ON-HOOK, No Keypad entry	-	0.1	1	$\mu A$
Memory retention current	$I_{mr}$	ON-HOOK, $V_{DD} = 1.0V$	-	0.1	0.2	$\mu A$
Control pin input voltage	$V_{il}$		$V_{SS}$	-	$0.3V_{DD}$	V
	$V_{ih}$		$0.7V_{DD}$	-	$V_{DD}$	V
$\overline{XMUTE}$ pin leakage current	$I_{mth}$	$\overline{V_{xmute}} = 2.5V$	-	-	1	$\mu A$
		$\overline{V_{xmute}} = 0.5V$	0.2	0.5	-	mA
$\overline{HKS}$ pin input current	$I_{hks}$	$V_{hks} = 2.5V$	-	-	0.1	$\mu A$
Keyboard scanning pin drive current	$I_{kbd}$	* $V_n = 0V$ ,	4	10	30	$\mu A$
		* $V_n = 2.5V$ ,	200	400	800	$\mu A$
sink current	$I_{kbs}$					
Key-in debounce time	$t_{DB}$		-	20	-	ms
$\overline{HFI}$ pin input resistor	$R_{hfi}$	$V_{hfi} = 0$	-	200	-	K $\Omega$
$\overline{HFO}$ pin drive current	$I_{hdoh}$	$V_{hfo} = 2.0V$	0.5	-	-	mA
		$V_{hfo} = 0.5V$	0.5	-	-	mA
sink current	$I_{hdol}$					

 \*  $V_n$  : Input voltage of any keyboard scanning pin (Row group, Column group).

**ELECTRICAL CHARACTERISTICS (II)** (Ambient Temperature is 25°C, All voltage referenced to  $V_{SS}$ ,  $V_{DD} = 2.5V$ , unless otherwise noted.)

(Pulse mode specification, fosc. = 3.579545 MHz)

Parameter	Sym.	Conditions	Min.	Typ.	Max.	Unit
Pulse output pin, SDO pin leakage current sink current	I <sub>poh</sub>	V <sub>po</sub> = 2.5V	-	-	0.1	uA
	I <sub>pol</sub>	V <sub>po</sub> = 0.5V	0.5	-	-	mA
Pulse rate	f <sub>pr</sub>		-	10	-	pps
			-	20	-	pps
Make/Break ratio	TM:TB		-	40:60	-	%
			-	33:66	-	%
Pre-digit Pause	t <sub>PDP</sub>	M/B ratio = 40:60	-	40	-	ms
		M/B ratio = 33:66	-	33	-	ms
Inter-digit Pause	t <sub>IDP</sub>	Pulse rate = 10pps	-	800	-	ms
		Pulse rate = 20pps	-	500	-	ms

**ELECTRICAL CHARACTERISTICS (III)** (Ambient Temperature is 25°C, All voltage referenced to  $V_{SS}$ ,  $V_{DD} = 2.5V$ , unless otherwise noted.)

(TONE mode specification, fosc. = 3.579545 MHz)

Parameter	Sym.	Conditions	Min.	Typ.	Max.	Unit
TONE output pin DC level sink current	V <sub>dc</sub>	V <sub>DD</sub> = 2.0V~5.5V	0.5V <sub>DD</sub>	-	0.7V <sub>DD</sub>	V
	I <sub>tl</sub>	V <sub>dtmf</sub> = 0.5V	0.2	-	-	mA
AC level	V <sub>dtmf</sub>	Row group, R <sub>L</sub> = 10KΩ	130	155	170	mV <sub>rms</sub>
Load resistor	R <sub>l</sub>	Dist. <sup>2</sup> -23dB	10	-	-	KΩ
DTMF signal: pre-emphasis *distortion	twist	V <sub>DD</sub> = 2.0~5.5V, Column-Row group	1	2	3	dB
	Dist.	R <sub>L</sub> = 10KΩ	-	-30	-23	dB
Minimum tone duration	t <sub>TD</sub>	Auto redial	-	98/83	-	ms
Minimum intertone pause	t <sub>ITP</sub>	Auto redial	-	98/83	-	ms

\* Distortion (dB) = 20 log { [(V<sub>1</sub><sup>2</sup> + V<sub>2</sub><sup>2</sup> + V<sub>3</sub><sup>2</sup> + ... + V<sub>n</sub><sup>2</sup>)<sup>1/2</sup>] / [(V<sub>L</sub><sup>2</sup> + V<sub>H</sub><sup>2</sup>)<sup>1/2</sup>] }.

V<sub>L</sub>, V<sub>H</sub>: Row group and Column group signal.

V<sub>1</sub>, V<sub>2</sub>, ..., V<sub>n</sub>: Harmonic signal (BW = 300 Hz~ 3500 Hz).

\* **Actual frequency output (fosc. = 3.579545 MHz)**

KEYBOARD SCANNING PIN	STANDARD (Hz)	OUTPUT (Hz)	DEVIATION (%)
R1	f1	697	+0.28
R2	f2	770	-0.52
R3	f3	852	-0.47
R4	f4	941	+0.74
C1	f5	1209	+0.57
C2	f6	1336	-0.30
C3	f7	1477	-0.34

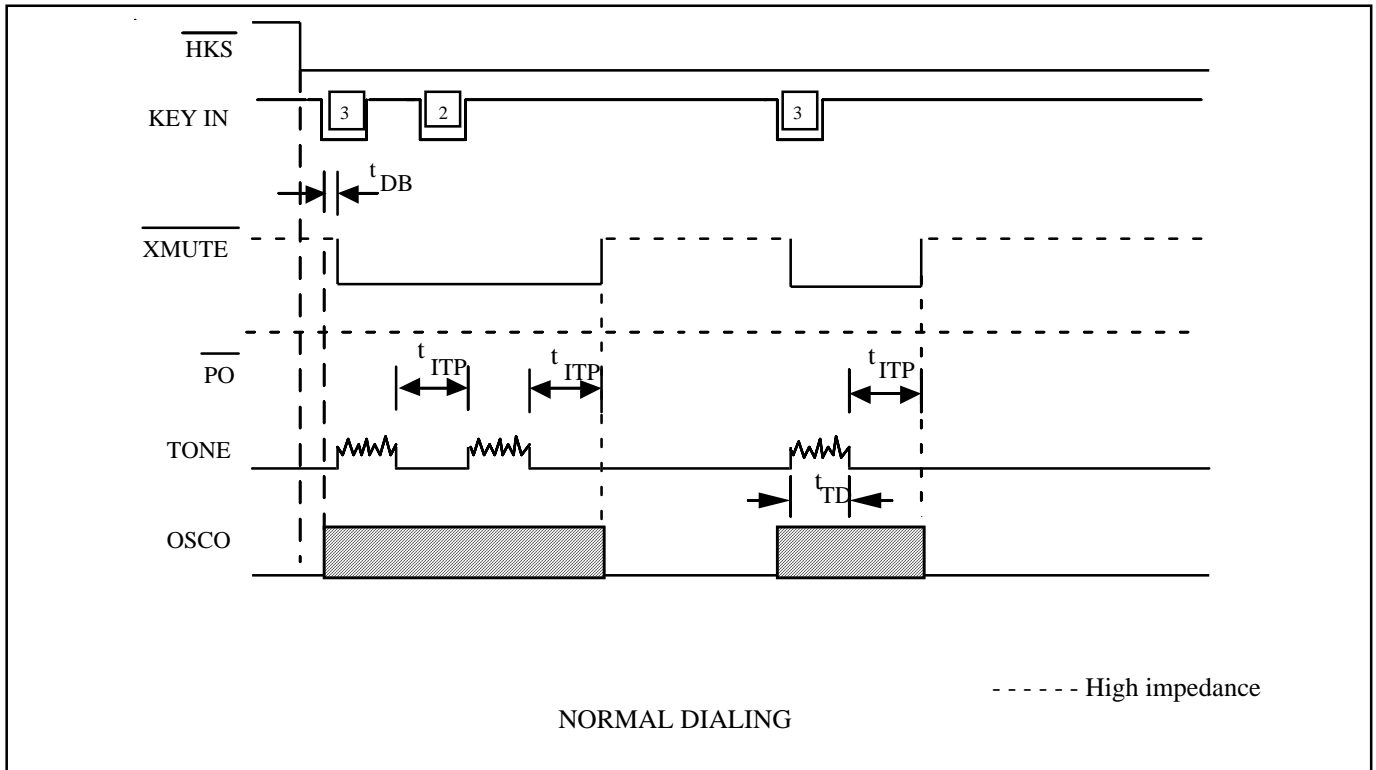


Figure 2: Tone Mode Timing Diagram

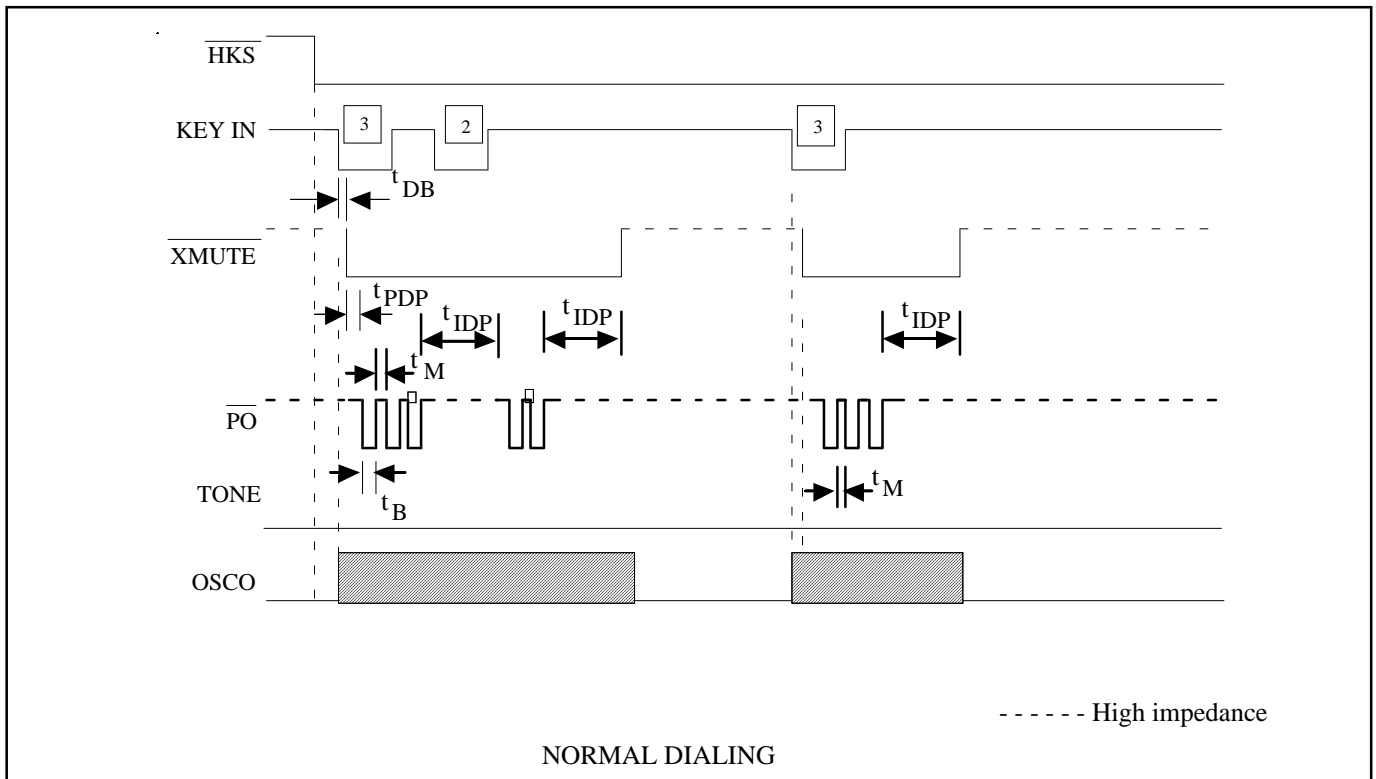


Figure 3: Pulse Mode Timing Diagram

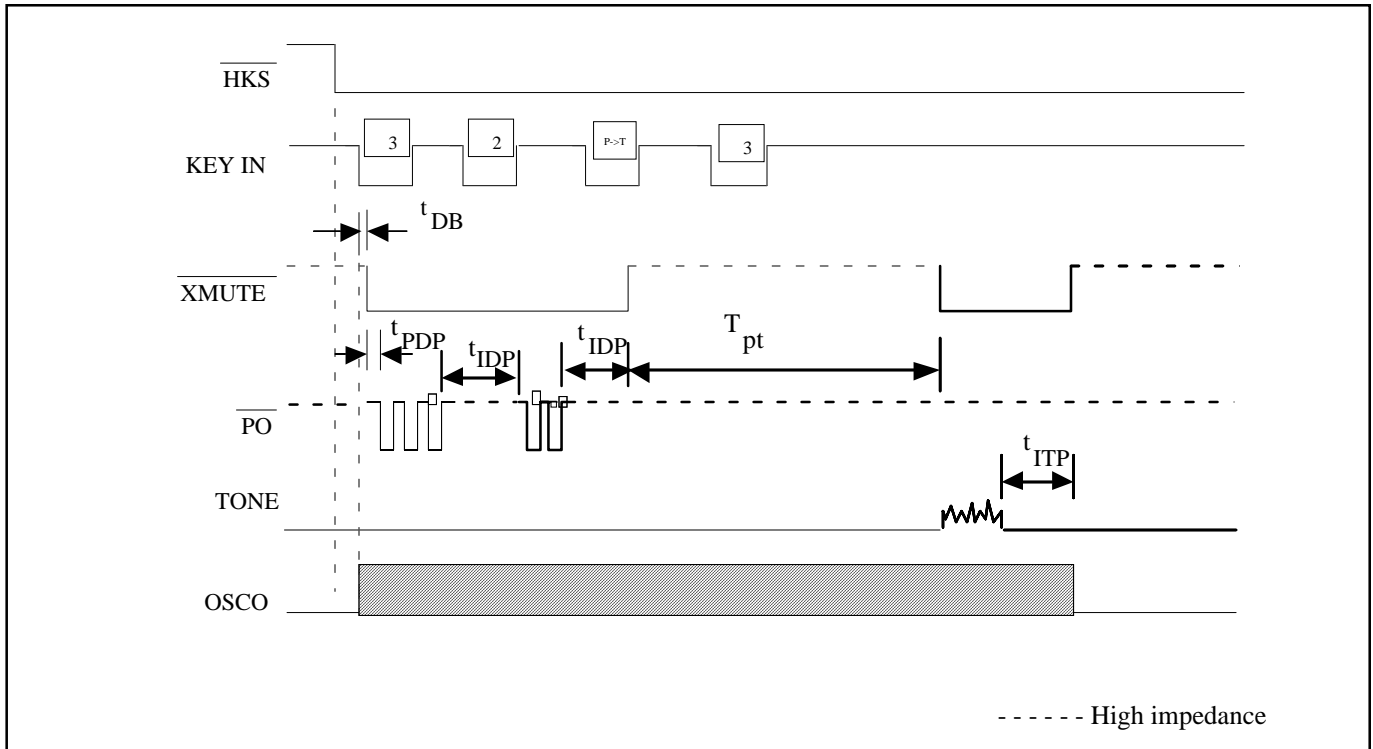


Figure 4: Timing Waveform for mixed dialing Operation (by P→T key entry)

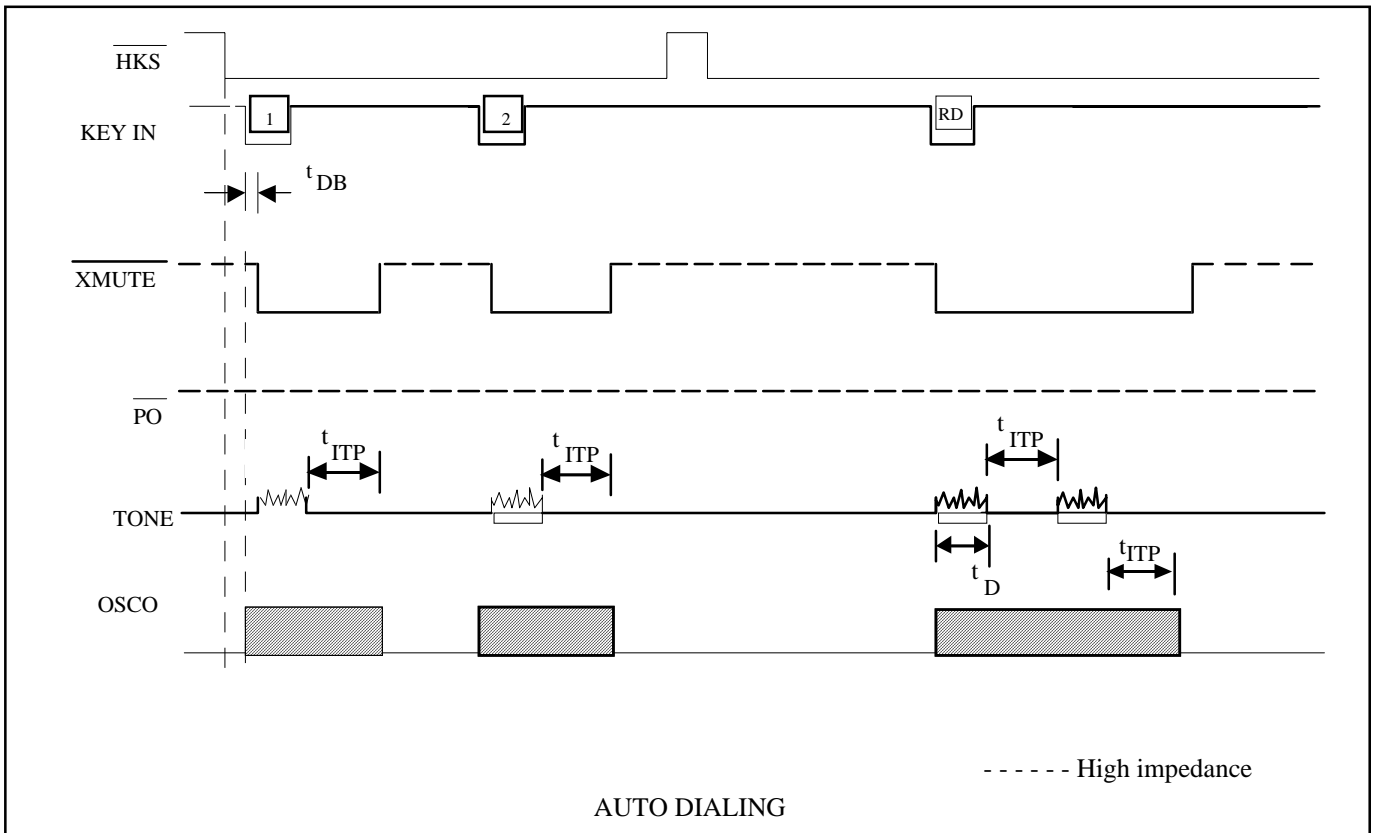


Figure 5: Tone Mode Redial Timing Diagram

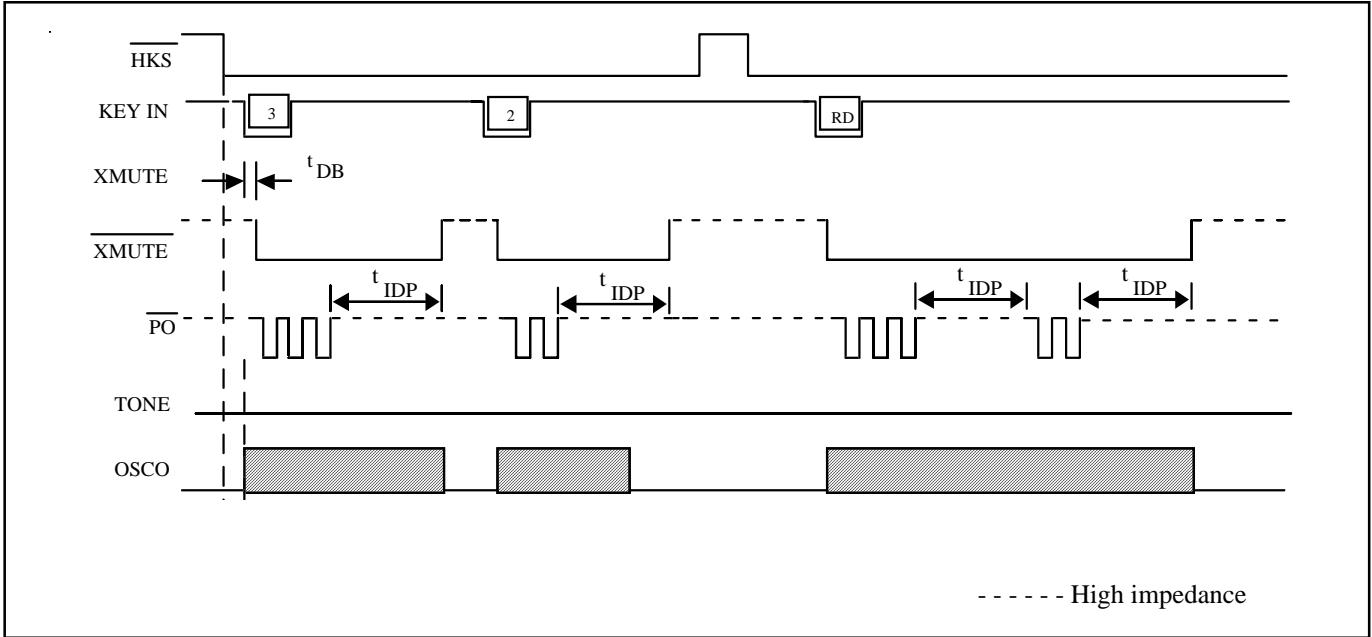


Figure 6: Pulse Mode Redial Timing Diagram

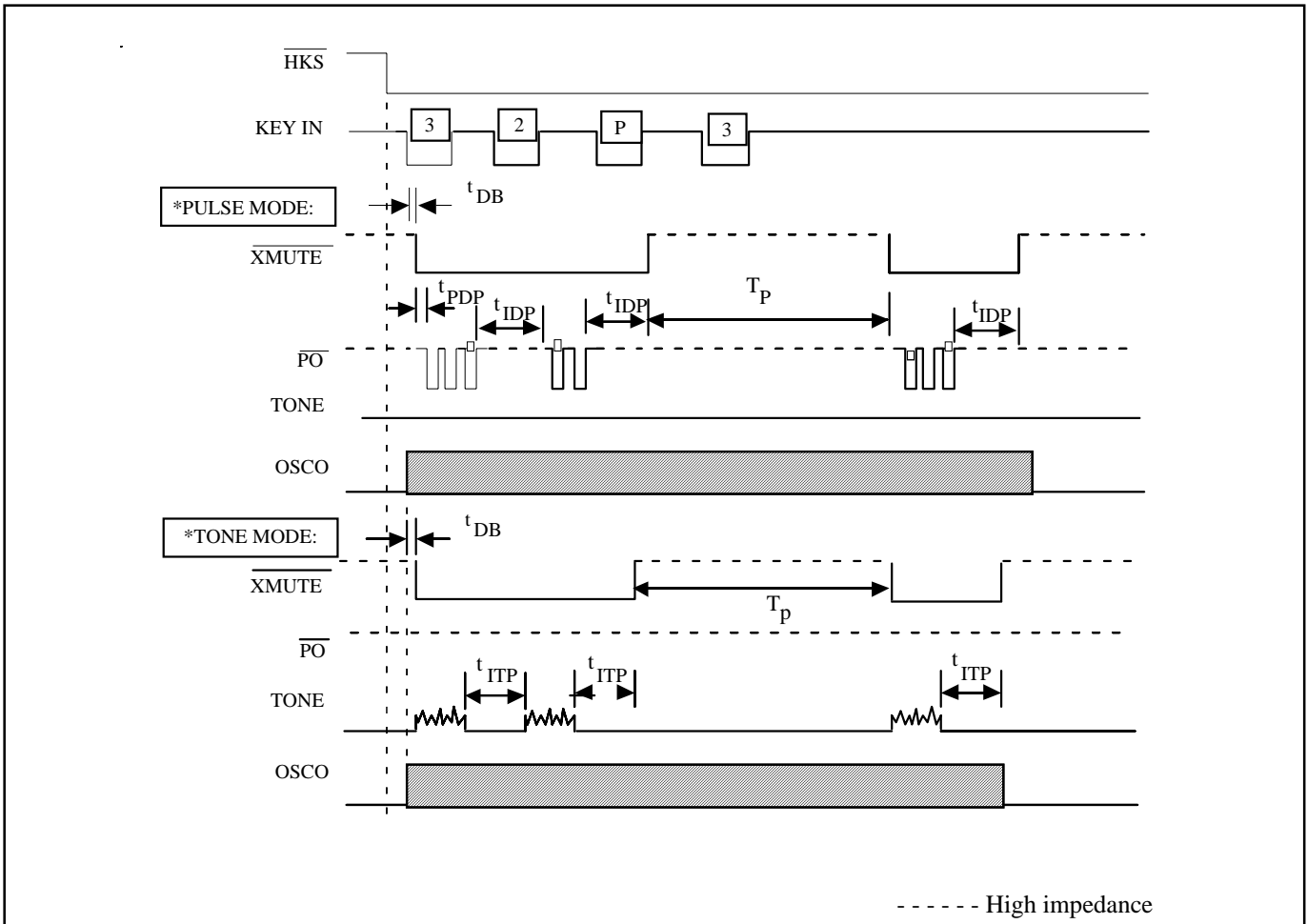


Figure 7: Pause key operating timing

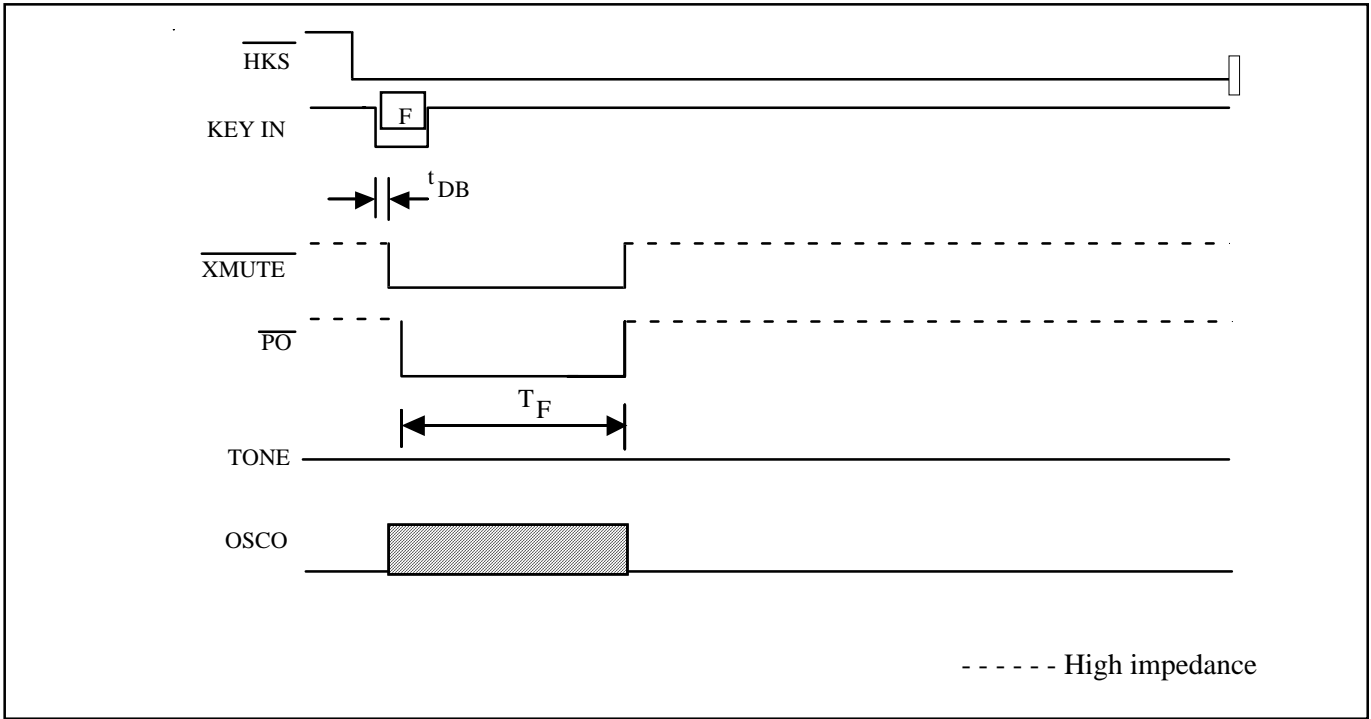
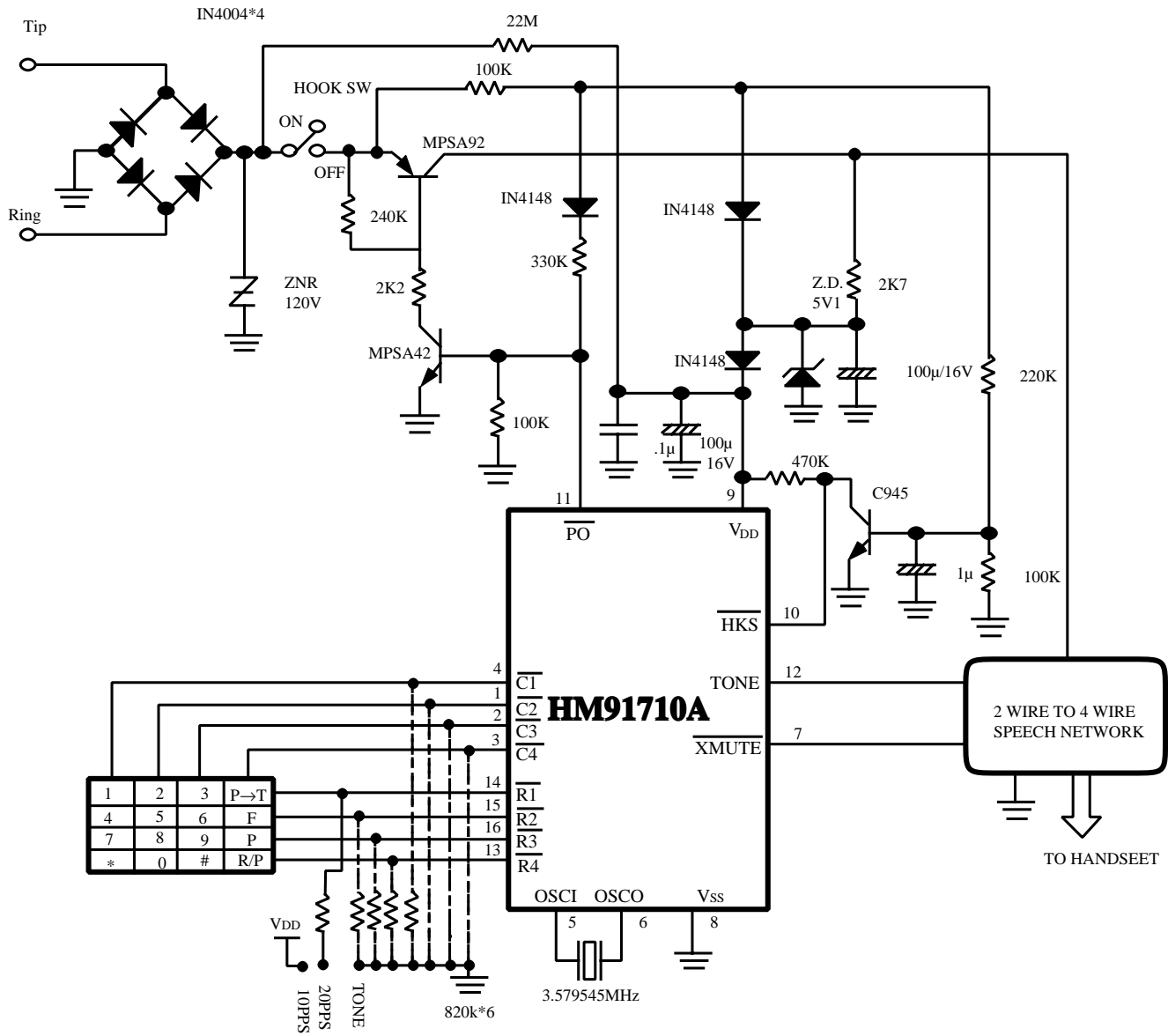


Figure 8: Flash key operation timing



APPLICATION CIRCUIT

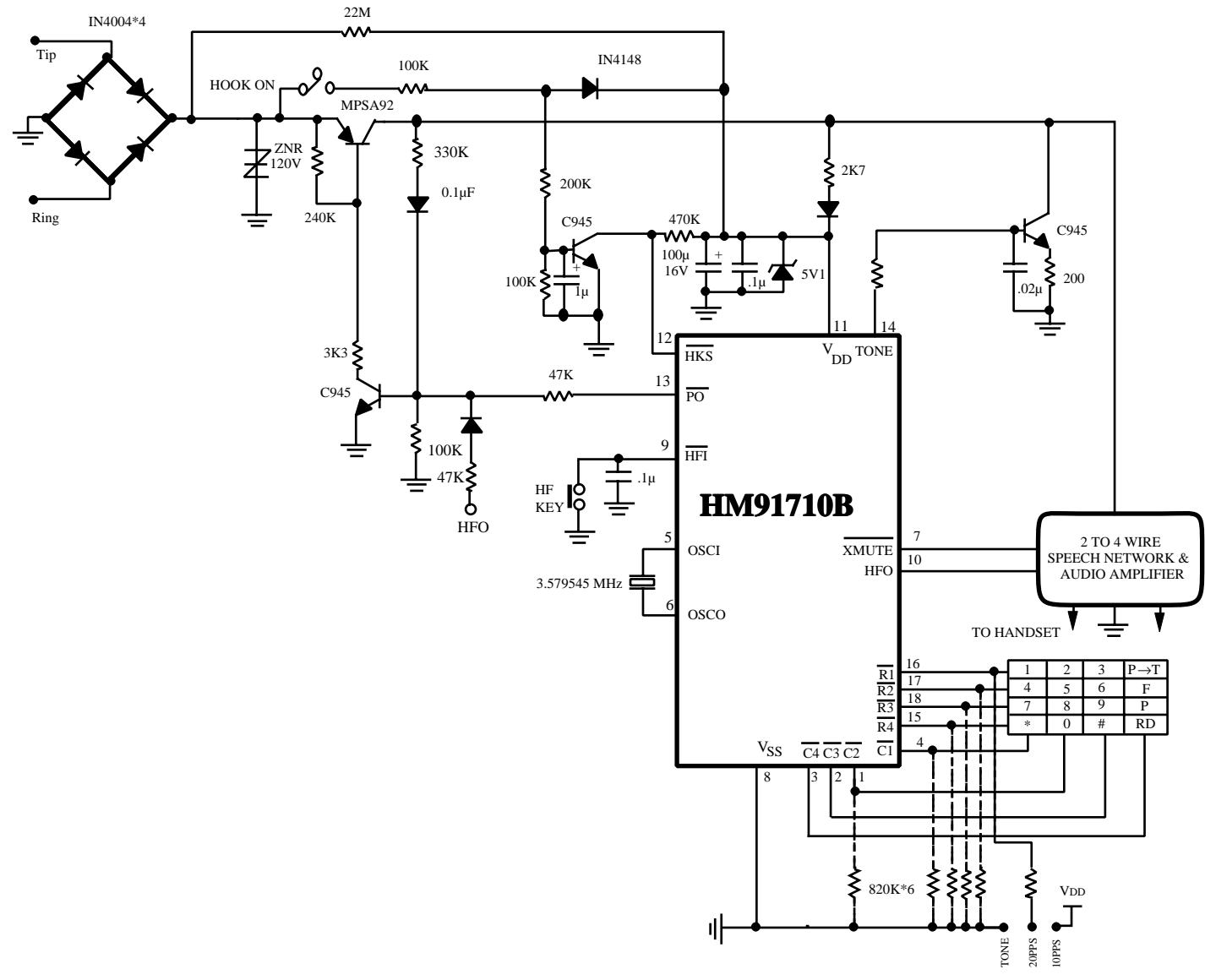
### HM91710A Application Example





APPLICATION CIRCUIT

HM91710B Application Example



\* This specification are subject to be changed without notice.

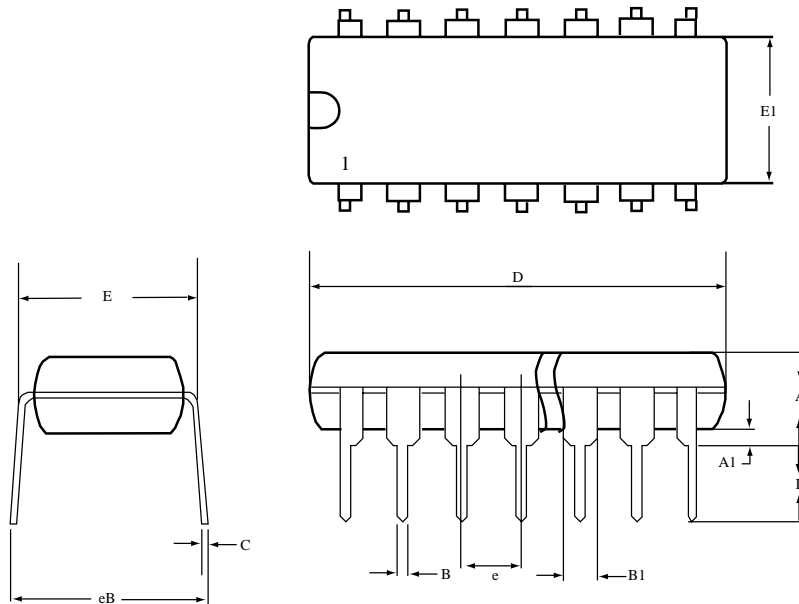
**PACKAGE INFORMATION**

Example :

HM    91710    P  
 (1)      (2)      (3)

- (1) ELAN MICRO. pefix
- (2) Type number
- (3) Package code:  
     P→PDIP  
     K→Skinny  
     R→SDIP

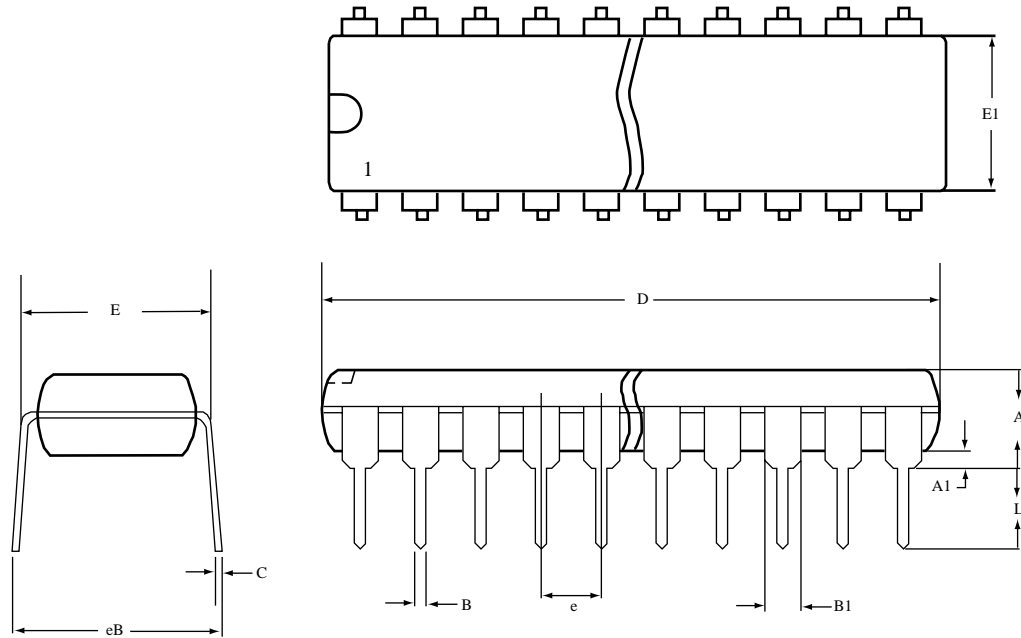
**16 Lead Plastic Package**



16 PDIP				
DIM	MILIMETERS		INCHES	
	MIN.	MAX.	MIN.	MAX.
A	-	5.334	-	.210
A1	0.381	-	.015	-
B	0.356	0.558	.014	.022
B1	1.150	1.778	.045	.070
C	0.204	0.381	.008	.015
D	19.05	20.07	.750	.790
E	7.620	8.255	.300	.325
E1	6.096	7.112	.240	.280
e	2.286	2.794	.090	.110
eB	-	10.92	-	.430
L	2.921	4.064	.115	.160

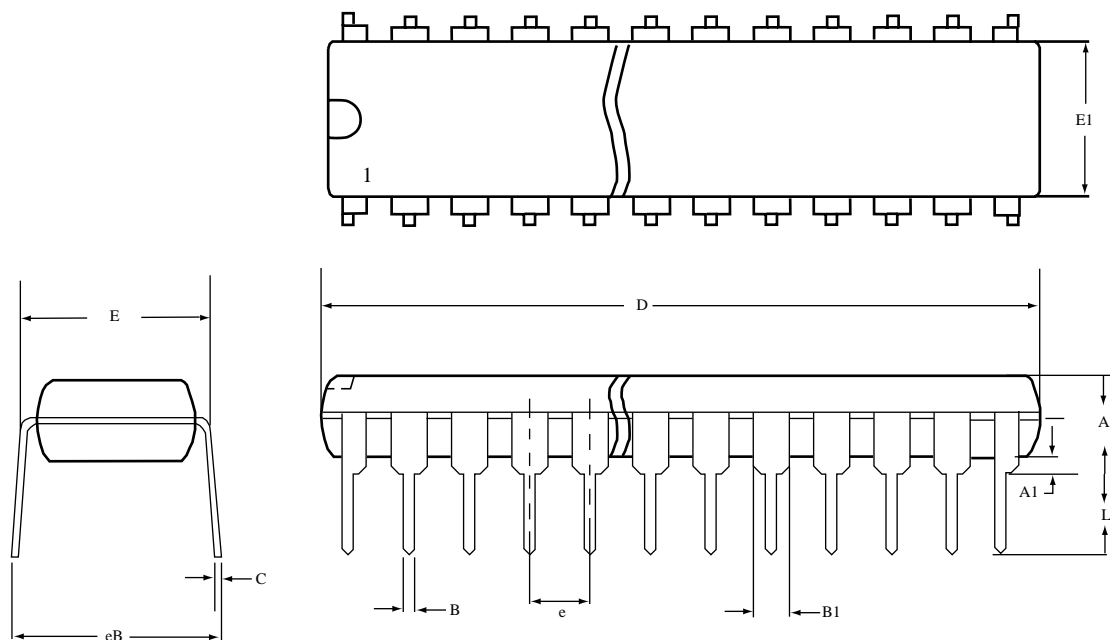
*\* This specification are subject to be changed without notice.*

**18/20/28 Lead Plastic Package**



DIM	18 PDIP				20 PDIP					28 PDIP				
	MILIMETERS		INCHES		DIM	MILIMETERS		INCHES		DIM	MILIMETERS		INCHES	
	MIN.	MAX.	MIN.	MAX.		MIN.	MAX.	MIN.	MAX.		MIN.	MAX.	MIN.	MAX.
A	-	5.334	-	.210	A	-	5.334	-	.210	A	-	6.350	-	.250
A1	0.381	-	.015	-	A1	0.381	-	.015	-	A1	0.381	-	.015	-
B	0.356	0.558	.014	.022	B	0.356	0.558	.014	.022	B	0.356	0.558	.014	.022
B1	1.150	1.778	.045	.070	B1	1.150	1.778	.045	.070	B1	1.016	1.778	.040	.070
C	0.204	0.381	.008	.015	C	0.204	0.381	.008	.015	C	0.204	0.381	.008	.015
D	22.35	23.37	.880	.920	D	25.40	26.67	1.000	1.050	D	35.56	37.85	1.400	1.490
E	7.620	8.255	.300	.325	E	7.620	8.255	.300	.325	E	15.24	15.88	.600	.625
E1	6.096	7.112	.240	.280	E1	6.096	7.112	.240	.280	E1	13.21	14.73	.520	.580
e	2.286	2.794	.090	.110	e	2.286	2.794	.090	.110	e	2.286	2.794	.090	.110
eB	-	10.92	-	.430	eB	-	10.92	-	.430	eB	-	17.78	-	.700
L	2.921	4.064	.115	.160	L	2.921	4.064	.115	.160	L	2.921	5.080	.115	.200

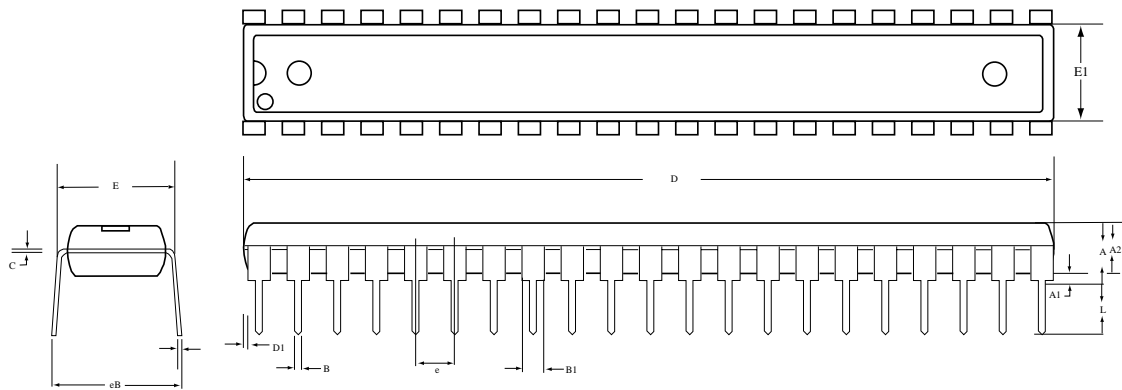
**22/24 Lead Plastic Package-Skinny**



22 PDIP (skinny)					24 PDIP (skinny)				
DIM	MILIMETERS		INCHES		DIM	MILIMETERS		INCHES	
	MIN.	MAX.	MIN.	MAX.		MIN.	MAX.	MIN.	MAX.
A	-	4.752	-	.180	A	-	4.572	-	.180
A1	0.381	-	.015	-	A1	0.381	-	.015	-
B	0.356	0.558	.014	.022	B	0.356	0.558	.014	.022
B1	1.27	1.778	.050	.070	B1	1.27	1.778	.050	.070
C	0.204	3.556	.008	.014	C	0.204	0.381	.008	.015
D	25.90	26.67	1.02	1.05	D	31.24	32.26	1.23	1.270
E	7.620	8.255	.300	.325	E	7.620	8.255	.300	.325
E1	6.223	6.604	.245	.260	E1	6.223	6.731	.245	.265
e	2.286	2.794	.090	.110	e	2.286	2.794	.090	.110
eB	8.382	10.16	.330	.400	eB	8.636	9.652	.340	.380
L	2.921	4.064	.115	.160	L	2.921	4.064	.115	.160

\* This specification are subject to be changed without notice.

**42 SDIP Package**



42 SDIP				
DIM	MILIMETERS		INCHES	
	MIN.	MAX.	MIN.	MAX.
A	-	5.08	-	0.200
A1	0.381	-	0.015	-
A2	3.937	4.191	0.155	0.165
B	0.356	0.559	0.014	0.022
B1	0.914	1.116	0.036	0.044
C	0.204	0.304	0.008	0.012
D	36.70	37.34	1.445	1.470
E1	13.84	14.10	0.545	0.555
e	1.727	1.829	0.068	0.072
eB	15.24	17.78	0.600	0.70
D1	0	0.127	0	0.005
L	2.921	3.429	0.115	0.135