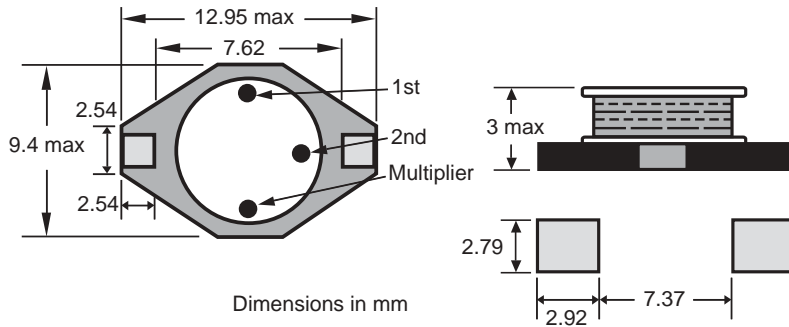


# WO30 Series SMT Power Inductor



Wilco Part Number	Inductance (uh)	Tolerance (%)	DCR Max (ohms)	Isat (mAmps)	Irms (mAmps)
WO30-100M	10	20	0.09	2400	2000
WO30-150M	15	20	0.12	2000	1500
WO30-220M	22	20	0.19	1600	1300
WO30-330M	33	20	0.25	1400	1100
WO30-470M	47	20	0.32	1000	800
WO30-680M	68	20	0.55	900	700
WO30-101M	100	20	0.7	700	600
WO30-151M	150	20	1	600	500
WO30-221M	220	20	1.6	500	400
WO30-331M	330	20	2.2	400	300
WO30-471M	470	20	3.3	300	200
WO30-681M	680	20	4.4	200	100
WO30-102M	1000	20	7	100	50

Test Frequency: (L) @ 100 KHz 0.1 Vrms  
 Inductance Drop: 10% at rated Isat  
 Operating Temperature Range: -40 C to 85 C  
 Packaging: 1000 per reel

## FEATURES

- Small size allows for high mounting density
- Compact and low profile
- Suitable for Re-flow Solder
- Large DC current capability with low DC resistance
- Embossed carrier tape
- Suitable for pick and place automation

## APPLICATIONS

- DC/DC converters
- Computers
- Telecommunications equipment
- Hand helds
- Filters
- LCD display

**Wilco Corporation**

Hotline 800•611•2343

Fax 317•293•9462

www.wilcocorp.com