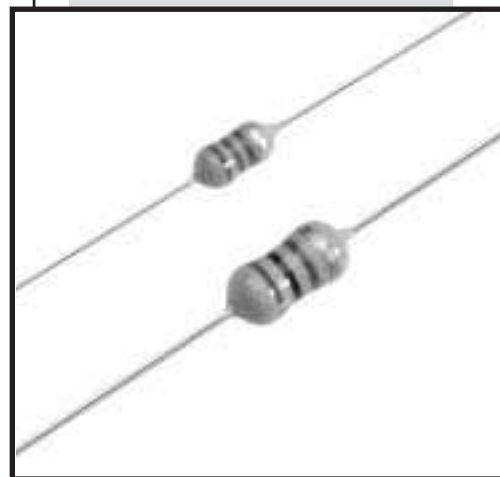
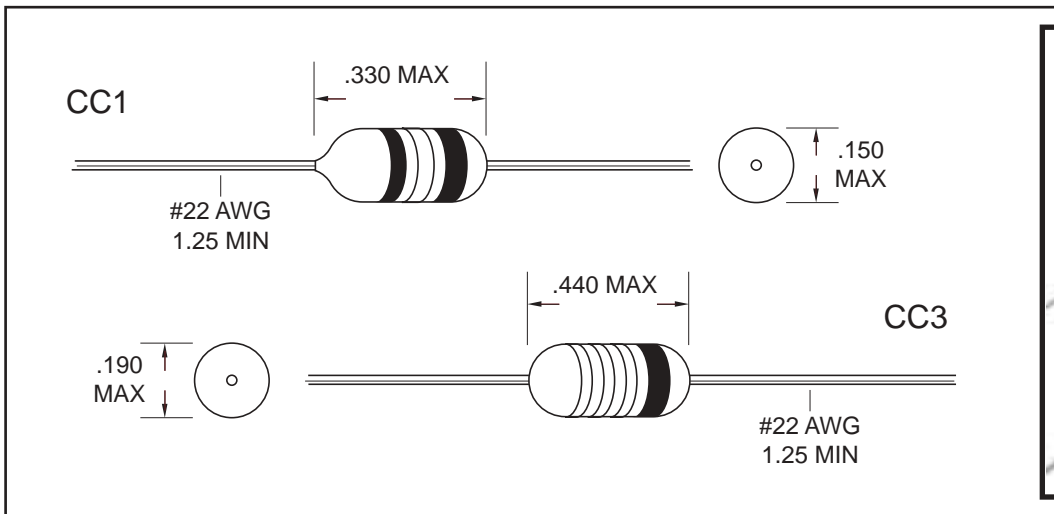


CC Series Epoxy Conformal Coated Inductors



CC1 Series Tol. of 0.1 uH to .82 uH = +/-15% 1.0 uH to 27 uH = +/-10%					
Wilco Part Number	L uH	Q Min	Test Freq. MHz	DCR Max (Ohms)	I _{dc} Max MA
CC1-10S	0.10	40	25	0.08	1350
CC1-33S	0.33	30	25	0.22	815
CC1-47S	0.47	30	25	0.35	650
CC1-68S	0.68	28	25	0.60	495
CC1-10G	1.00	25	25	1.00	385
CC1-15G	1.50	28	7.9	0.22	535
CC1-22G	2.20	30	7.9	0.40	395
CC1-33G	3.30	45	7.9	0.85	270
CC1-47G	4.70	45	7.9	1.20	230
CC1-68G	6.80	50	7.9	2.00	175
CC1-100	10.0	55	7.9	3.70	130
CC1-220	22.0	50	2.5	3.30	140
CC3 Series Tol. of .15 uH to .82 uH = +/-15% 1.0 uH to 100 uH = +/-10%					
Wilco Part Number	L uH	Q Min	Test Freq. MHz	DCR Max (Ohms)	I _{dc} Max MA
CC3-15S	0.15	50	25	.030	2450
CC3-33S	0.33	45	25	.090	1400
CC3-56S	0.56	50	25	.135	1150
CC3-82S	0.82	50	25	.220	900
CC3-12G	1.20	33	25	.420	650
CC3-18G	1.80	33	25	.650	525
CC3-33G	3.30	33	7.9	2.00	300
CC3-68G	6.80	50	7.9	.500	395
CC3-100	10.0	55	7.9	.900	290
CC3-150	15.0	65	7.9	1.40	240
CC3-330	33.0	65	2.5	3.00	165
CC3-390	39.0	60	2.5	2.60	176
CC3-470	47.0	55	2.5	2.75	170
CC3-560	56.0	55	2.5	3.00	164
CC3-680	68.0	55	2.5	3.30	155
CC3-820	82.0	50	2.5	3.90	143
CC3-101	100	50	0.79	4.50	133

FEATURES

- Equivalent in quality to Molded Chokes at a Lower Price
- Same Electrical Characteristics as Many Standard Molded Lines
- Superior Environmental & Mechanical Protection
- Uniform Coating is Excellent for Automatic Insertion
- Custom Designs Available Upon Request
- Commercial & Industrial Applications Available in Bulk or Taped and Reeled
- Color band identification
- Intermediate values available

Wilco Corporation

6451 Saguro Ct.
Indianapolis, IN 46268
Hotline 800•611•2343
Fax 317•293•9462
www.wilcocorp.com