

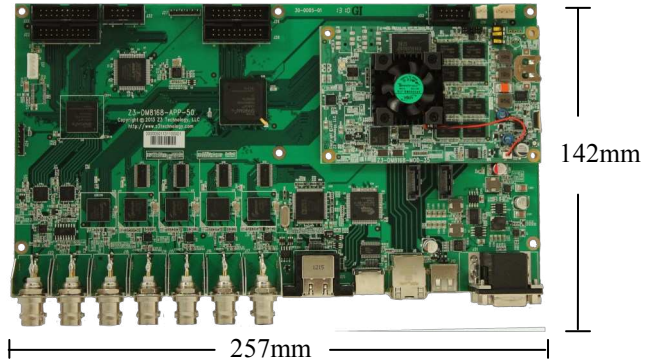
Z³
Technology, LLC

4-Channel 1080i Encoder

Product Part Number Z3-DM8169-4CH-RPS

DON'T REINVENT VIDEO, Z3 SLASHES TIME TO MARKET!

Applications
Broadcast Video Encoding and Decoding
Security and Surveillance
Video Conferencing
Industrial Video Processing



Z3-DM8169-4CH-RPS OEM-Ready System Contains:

Benefits:

- Fully integrated hardware and software audio/video system
- Ready to use, out of the box commands for encoding, decoding and streaming
- Cost effective modular design, ready for

Hardware:

- One **Z3-DM8169-MOD-3x** OEM-ready video SOM
- 68mm x 108mm
- 1GB DDR3, Flash, 2xSATA2, GigE, USB 2.0
- Multiple digital video and audio I/O ports
- One **Z3-DM8168-APP-5x** application board
 - 257mm x 142mm
 - 4 x HD-SDI Input
 - 2 x ASI Input
 - 2 x ASI Output
 - 4K HDMI Input

Software:

- Pre-loaded encoder and decoder applications
 - **Streaming 4 x H.264 encoder up to 1080i**
 - H.264 video up to 1080i with AAC audio
 - RTP and MPEG-2 TS streaming output
 - Multichannel RDK framework
 - **Streaming 4 x H.264 decoder**
 - H.264 video from QCIF to 1080i
 - Arbitrary resolution scaler
 - Scale small resolutions to full screen
 - Scale large resolutions to window size
 - RTP and MPEG-2 TS input support
- RDK Source code license available*
- Linux 2.6.3X, u-boot, root file-system, NAND boot, tool chain, flash programming scripts
- FPGA firmware license available*

* Contact sales@z3technology.com for details.

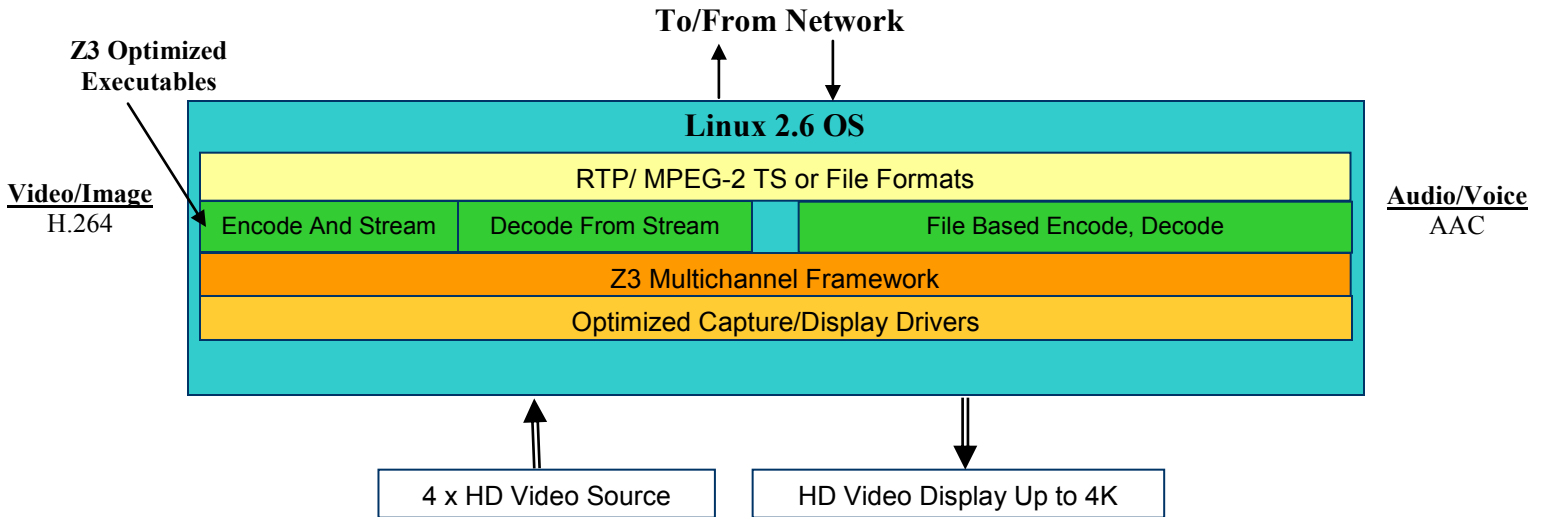
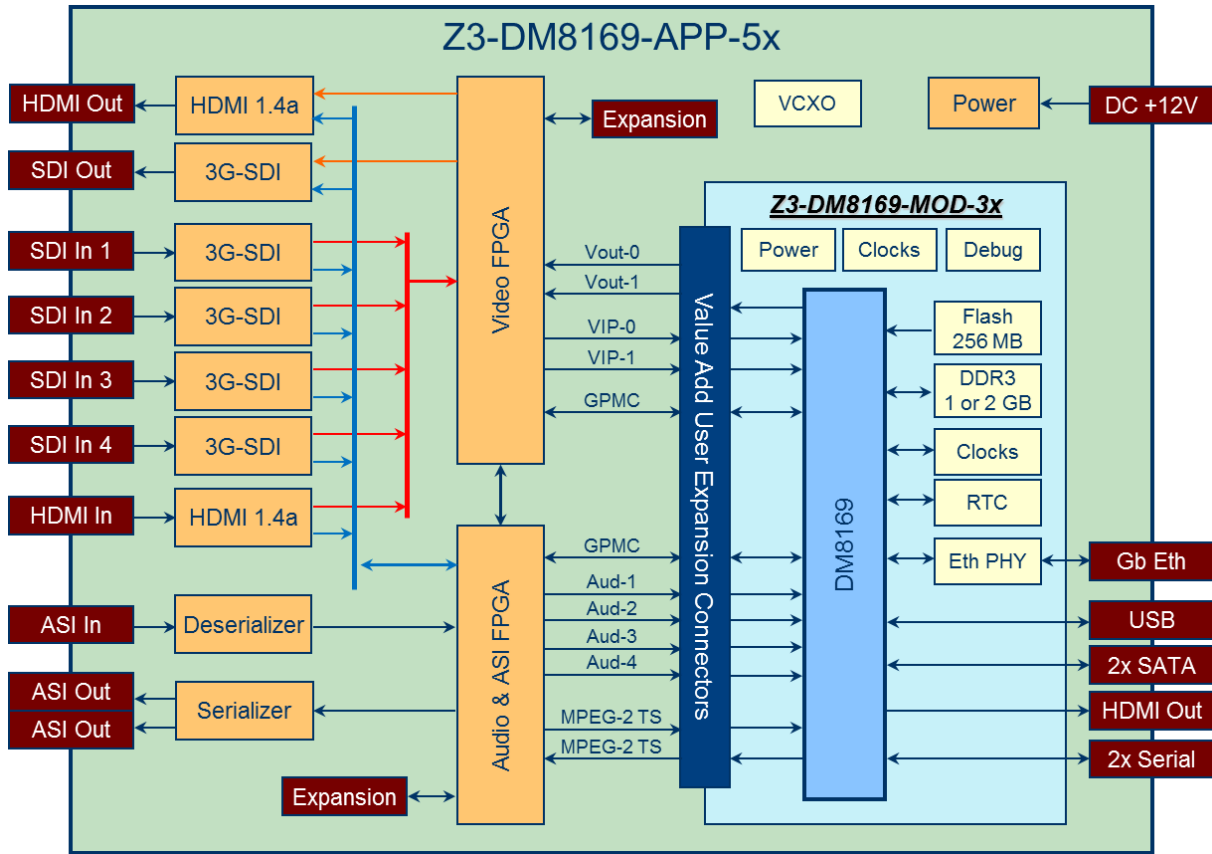
Contact Z³ Technology for customized product options

Phone: +1.402.323.0702
sales@z3technology.com
www.z3technology.com

© Copyright 2013 Z3 Technology, LLC. All rights reserved.



Z3-DM8169-4CH-RPS HW/SW Block Diagrams



Contact Z³ Technology for customized product options

Phone: +1.402.323.0702
sales@z3technology.com
www.z3technology.com