



Z³
Technology, LLC

Multi-Channel 1080p60 HD

Product Part Number Z3-DM8169-MOD

DON'T REINVENT VIDEO, Z3 SLASHES TIME TO MARKET!

Applications

Broadcast Video Encoding and Decoding

Real Time Transcoding at 1080p60

Video Security and Industrial DVR

Medical and Industrial Video

Video Conference Terminal and MCU



CE FC

Z3-DM8169-MOD OEM-Ready Module Contains:

Benefits:

- *Cookie-cutter video solution for embedded applications*
- *Fully integrated hardware and software audio/video system*
- *Ready to use, out of the box commands for encoding, decoding and streaming*
- *Cost effective design, ready for manufacturing volumes*
- *Supports H.264 multichannel in all video resolutions from QCIF to 1080p60*
- *Versatile encoding modes such as low latency, high quality, low bit rate, etc.*
- *Full A/V synchronization*
- *Linux-based system, easy to customize if needed; full source code available*

Hardware: 88mm x 108mm

- **Z3-DM8169-MOD-2x** OEM-ready video SOM
- 1GB DDR3, 256MB Flash
- 2xSATA, Gigabit Ethernet, USB 2.0
- HDMI, YPbPr and Composite Video Out
- Multiple digital video and audio I/O ports
- MPEG-2 transport stream interface
- SD/MMC, UART, I2C, SPI ports

Software:

- Pre-loaded, OEM-ready **Video Application Executable** commands (License available with RPS Starter Kit)
 - **Streaming H.264 encoder up to 1080p60**
 - H.264 video, from QCIF to 1080p/i at 60 fps; AAC or PCM audio
 - Fully controllable parameters: resolution, max bit rate, GOP, on-the-fly bit rate control, ... etc.
 - Low latency mode
 - MPEG-2 TS or RTP output
 - **Streaming decoder**
 - H.264 video from QCIF to 1080p/i at up to 60 fps with audio
 - Flexible resizer allows full frame display of smaller resolutions
 - RTP or MPEG-2 TS support
 - **File-based Transcoder (optional*)**
 - MPEG-2 to H.264 up to 1080p60
 - AAC and LPCM audio support
- OpenMAX-IL framework
- Multichannel RDK framework available for additional license
- Application source code license available
- Linux 2.6, u-boot, root file-system, NAND boot, tool chain, flash programming tool

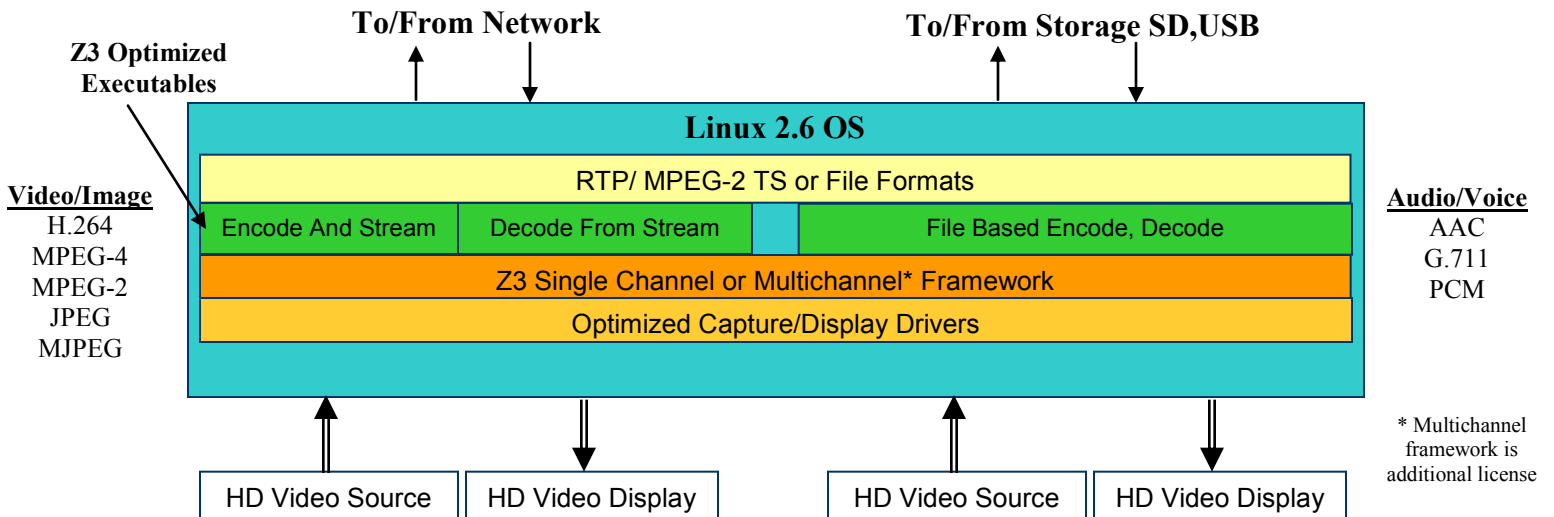
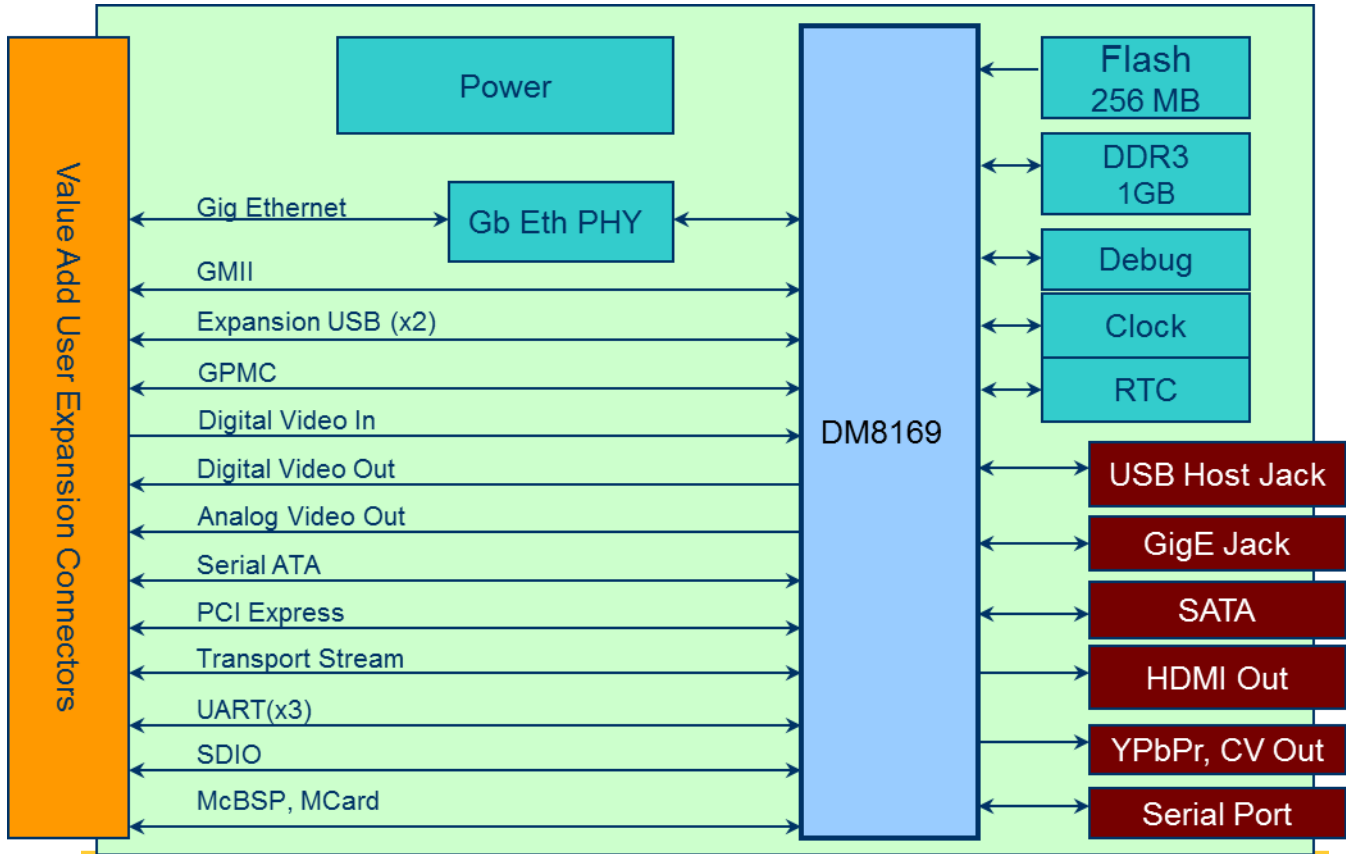
* Contact sales@z3technology.com for details.

Contact Z³ Technology for customized product options

Phone: +1.402.323.0702
sales@z3technology.com
www.z3technology.com



Z3-DM8169-MOD HW/SW Block Diagrams



Contact Z³ Technology for customized product options

Phone: +1.402.323.0702
sales@z3technology.com
www.z3technology.com