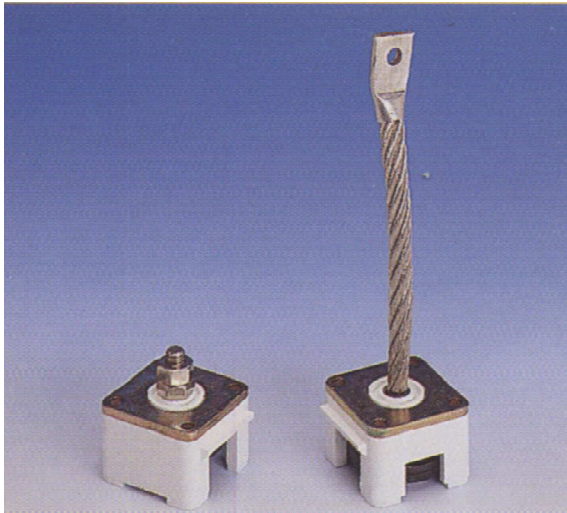


## **BOX CLAMP**

### **PRESSURE 500 or 1000 daN**



- ✓ *Single face cooling*
- ✓ *3 outputs types : side, screwed, leaded*
- ✓ *Other configuration : consult us*
- ✓ *Dielectric strength : 2500 V rms*
- ✓ *Mains voltage : 500 V rms*
- ✓ *Suits to all  $\varnothing$  42 mm and 51 mm components (500 daN and 1000 daN)*

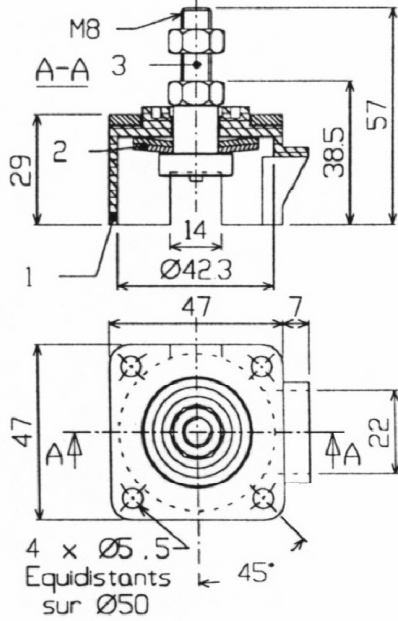
#### *Our technology:*

- ✓ *The plastic box based on polyester resin reinforced with glass fibre can withstand pressure and temperature without variation in dimensions.*
- ✓ *The resilient parts made by spring washers limit the mechanical overload caused by the device expansion.*

## CASES 1F62

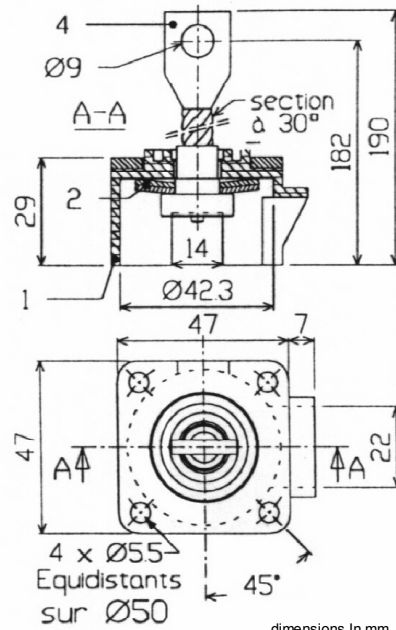
Box-clamp for components  $\varnothing 42$  mm, 500 daN

Fig. 1 : SCREWED OUTPUT



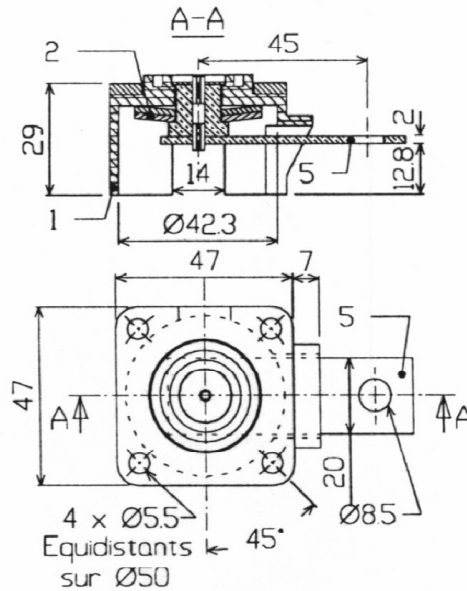
dimensions in mm

Fig. 2 : LEADED OUTPUT



dimensions in mm

Fig. 3 : SIDE OUTPUT WITH FLAT BAR

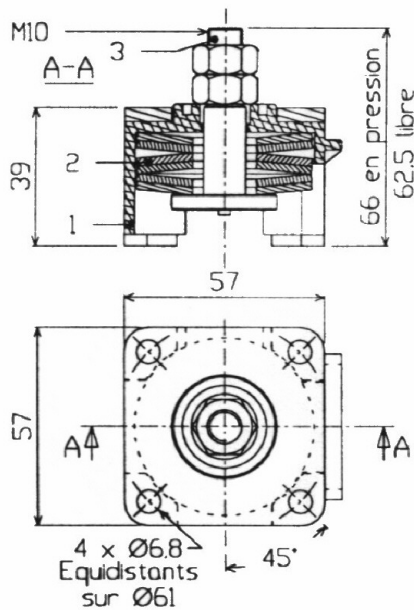


dimensions in mm

## BOITIER 1F7S

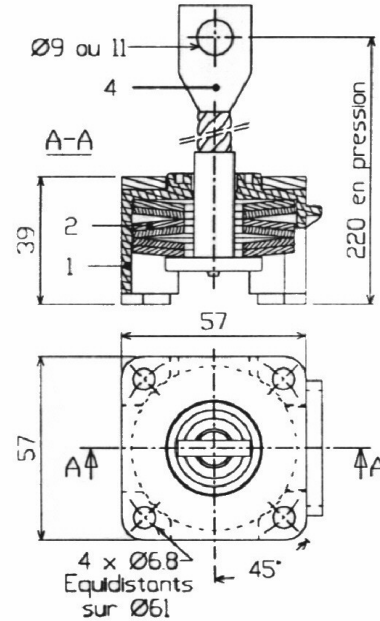
Box-clamp for components  $\varnothing 51$  mm, 1000 daN

**Fig. 1 SCREWED OUTPUT**



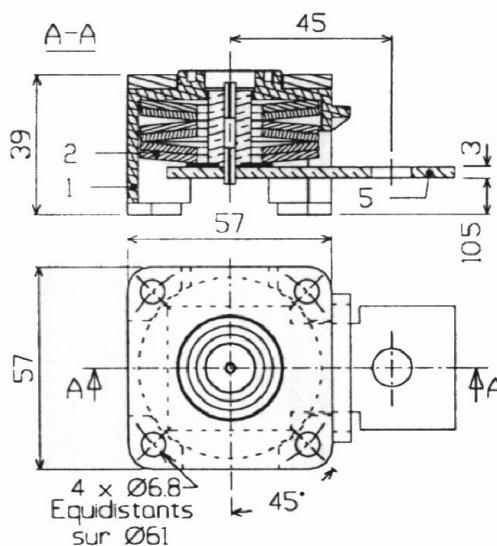
All dimensions in mm

**Fig. 2: LEADED OUTPUT**



All dimensions in mm

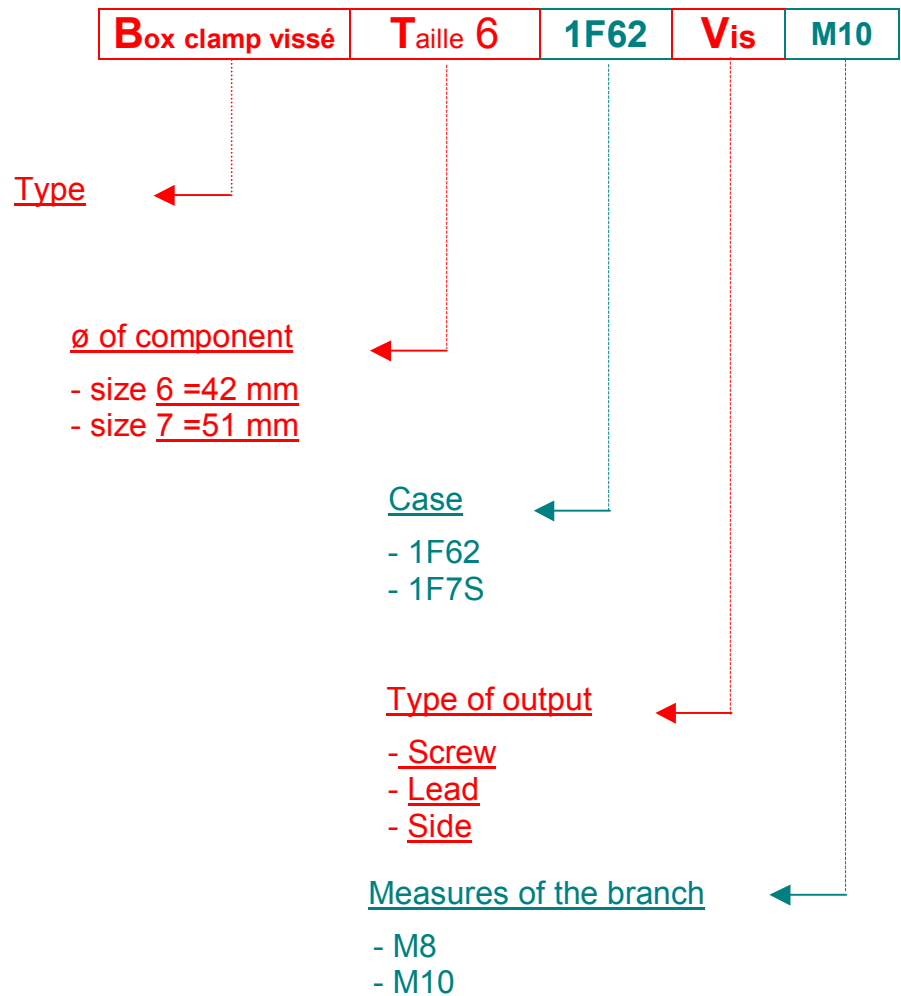
**Fig. 3: SIDE OUTPUT WITH FLAT BAR**



All dimensions in mm

## CODIFICATION

Example:



**CAUTION:** ARCEL reserves the right to make modifications to its technical data and product specifications at any time without prior notice. These documents have no contractual value.

### For more information :

**ARCEL**  
2, rue des Aulnes  
Z.I. du Tronchon  
F-69410 Champagne-au-Mont-d'Or

☎ +33 478 350 221  
Fax : +33 478 356 954  
Email : info@arcel.fr