

## CLAMP S

### CLAMP WITH SPRING WASHERS

- ✓ Insulation through grommets
- ✓ Pressure from 300 to 4500 daN
- ✓ Clamped thickness from 10 to 300 mm
- ✓ Dielectric strength :
  - 4500 V with single insulation
  - 6000 V with double insulation
- ✓ Large range with various fixing centres
  - 78.6 – 102 – 118 – 140 – 180
  - other : consult us



#### Our technology :

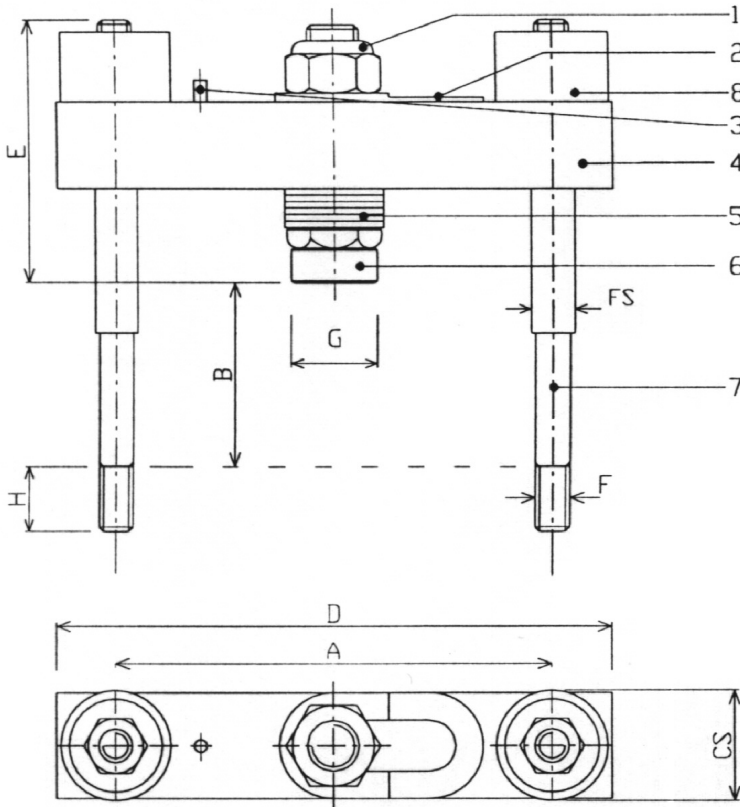
- ✓ *A regular pressure: a ball inserted under the multi-axial clamp enables to apply a regular force according to the axis of the component.*
- ✓ *A precise clamping : a test washer is released when the force is reached.*
- ✓ *The variation of the force applied to the component and due to the thermic expansion, is controlled by stacking elastic elements like spring washers.*
- ✓ *The standard clamps are defined for a variation of the force of 10% maximum, when correctly used on a power stack.*

## CASE

### CLAMP : TYPE S

INSULATION THROUGH GROMMETS

Nominal clamping force of 4500 daN



### Dimensions :

- A – Fixing centre
- B – Clamped thickness
- CS – Maximum breadth of the head
- D – Over all length
- E – Maximum height of the head
- F –  $\varnothing$  of straps
- FS –  $\varnothing$  of grommets
- FC –  $\varnothing$  of support
- H – Length of thread of straps

### Description :

- 1 – Autoblocking nut
- 2 – Test washer (2)
- 3 – Cotter for test washer positioning
- 4 – Clamp
- 5 – Spring washers
- 6 – Ball link
- 7 – Strap
- 8 – Grommets (1)

(1) : Standard grommets made of polyamide resin and reinforced with glass fibre

(2) : Test washers by stages is replaceable by a round test washer

## DIMENSIONS

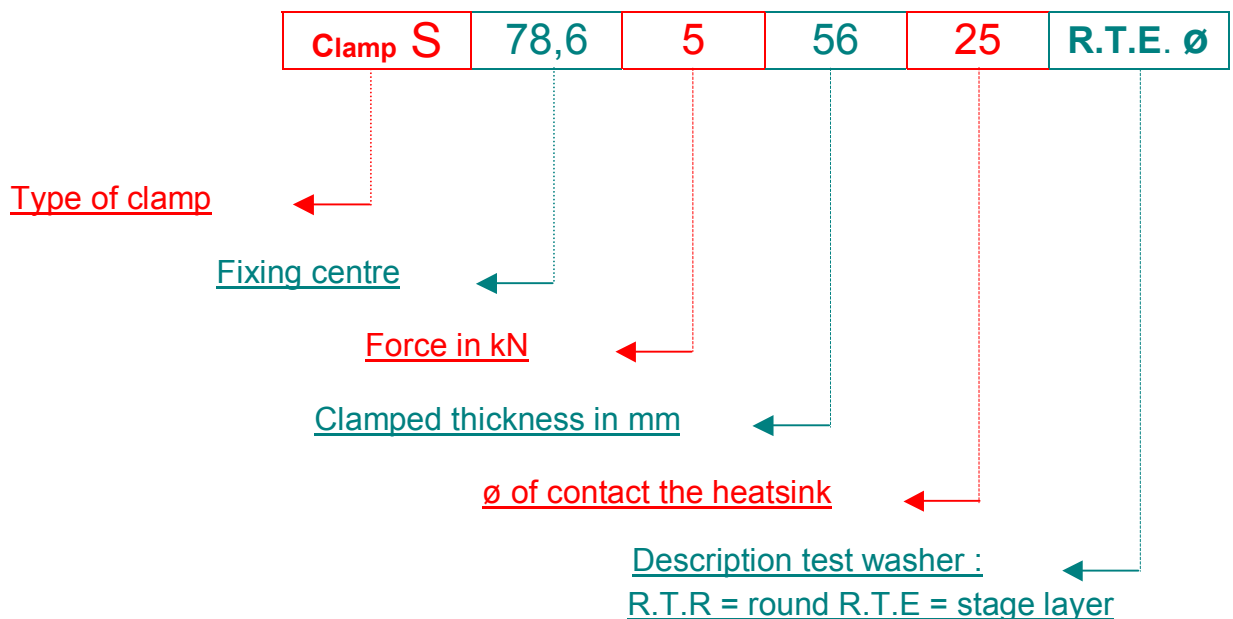
max. $\phi$ component mm	Nominal clamping force daN	A mm	B mm	CS mm	D mm	E mm	F mm	FS mm	G mm	H mm
40 – 42	300 à 1500	78,6	10 à 300 mm	25	110	See table on page 4	8	11.1	25	10
57 – 60 74 – 76	700 à 2200 1500 à 2300	102		25	135		8	11,1	25	10
74 – 76 102	1500 à 2600 2500 à 3500	118		40	145		10	14,1	40	12
102 - 110	2500 à 4500	140		40	180		10	14,1	40	12
120 - 150	4000 à 6000	180		60*	225		12	16,1*	60	15

\* : Values given for a nominal clamping force of 4500 daN

## INSULATION CHARACTERISTICS

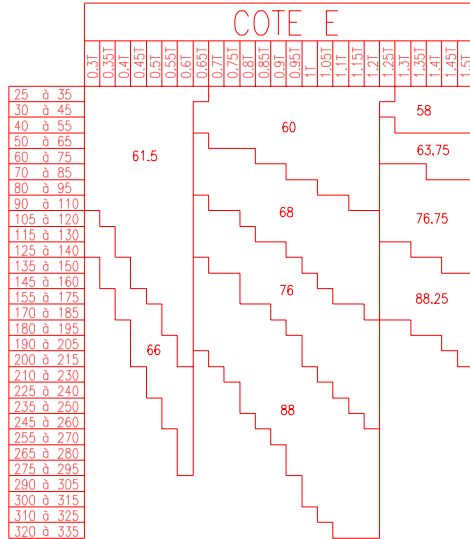
Mains voltage	Insulation	Comments
< 1000 V	single	barrels
1000 V – 1500 V	double	barrel + insulating tubes of thickness 1 mm + insulating washer under the barrel

## CODIFICATION

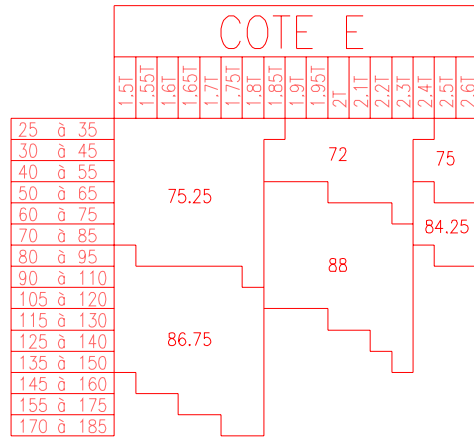


## Value of E

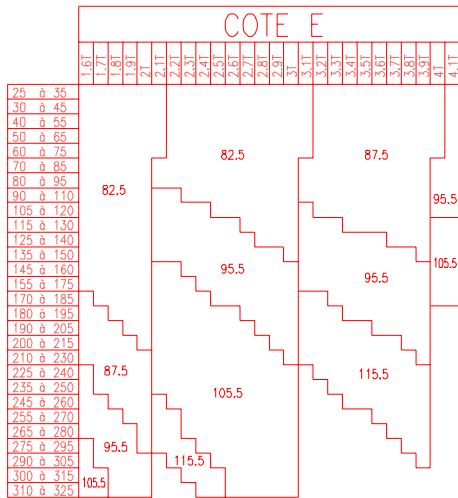
**Fixing centre 78,6**



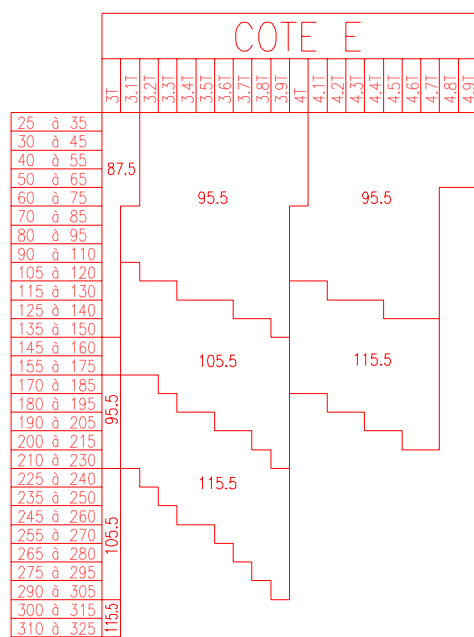
**Fixing centre 102**



**Fixing centre 118**



**Fixing centre 140**



**CAUTION :** ARCEL reserves the right to make modifications to its technical data and product specifications at any time without prior notice. These documents have no contractual value.

**For more information :**

**ARCEL**  
 2, rue des Aulnes  
 Z.I. du Tronchon  
 F-69410 Champagne-au-Mont-d'Or

+33 478 350 221  
 Fax : +33 478 356 954  
 Email : [info@arcel.fr](mailto:info@arcel.fr)