

---

## *RC SNUBBER TYPE ARCRC*

---



- The ARCRC boards enable to limit the surges generated at the terminals of a power switch, during the switching period.
- ARCRC1 and ARCRC2 boards are specially designed for dual diode or thyristor modules and IGBTs, whereas the ARCRC3 is adapted for more powerful “presspack” type components.
- These boards can be configured according to the component which has to be protected and its environment.

All information included in this document is Arcel's or its respective authors' property. Therefore, any reproduction, use, adaptation, modification, integration, translation, commercial use, in whole or in part, by any means or any form (electronic, written or verbal) is forbidden, without prior written permission of Arcel or its respective authors.



**CONTENTS**

1. Definition.....	3
2. Specifications.....	4
3. Outline Drawings .....	9

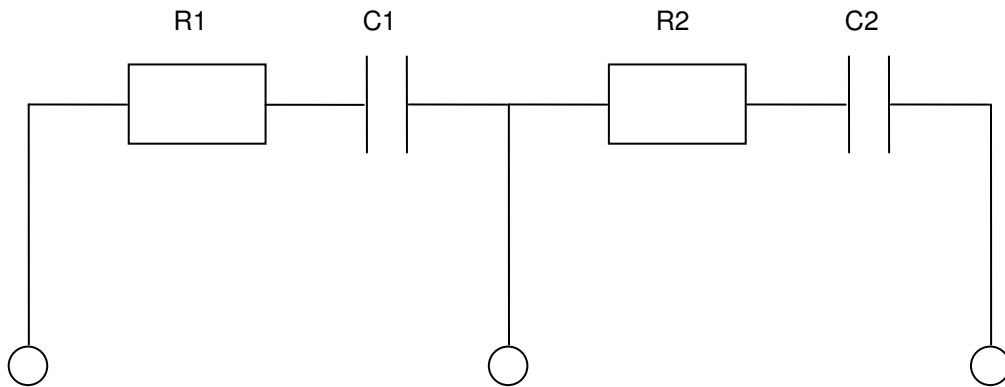
All information included in this document is Arcel's or its respective authors' property. Therefore, any reproduction, use, adaptation, modification, integration, translation, commercial use, in whole or in part, by any means or any form (electronic, written or verbal) is forbidden, without prior written permission of Arcel or its respective authors.



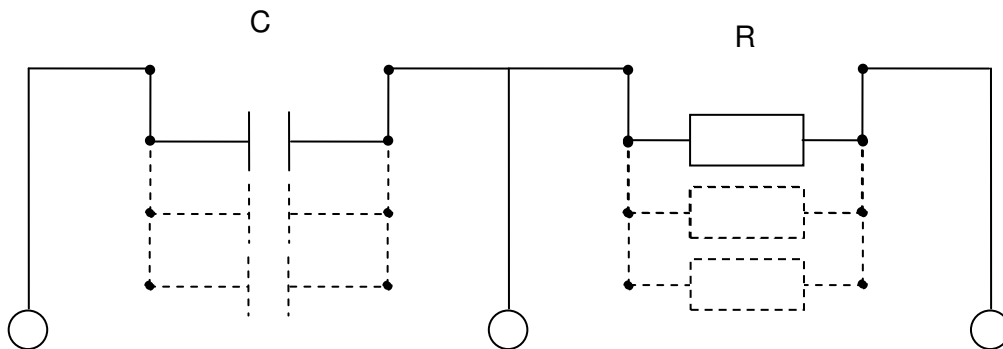
## 1. DEFINITION

The snubber circuit includes a capacitor in series with a resistor according to following drawings:

ARCRC1 and ARCRC2 general diagram



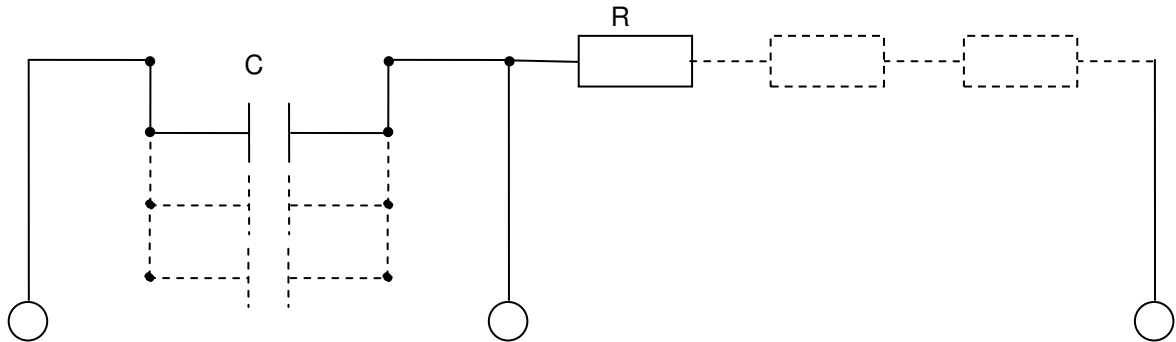
ARCRC3 general diagram



All information included in this document is Arcel's or its respective authors' property. Therefore, any reproduction, use, adaptation, modification, integration, translation, commercial use, in whole or in part, by any means or any form (electronic, written or verbal) is forbidden, without prior written permission of Arcel or its respective authors.



1 to 3 parallel-connected resistors



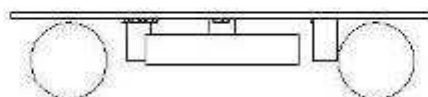
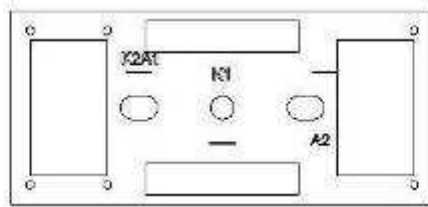
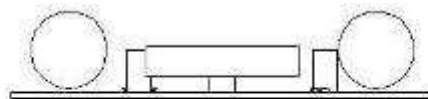
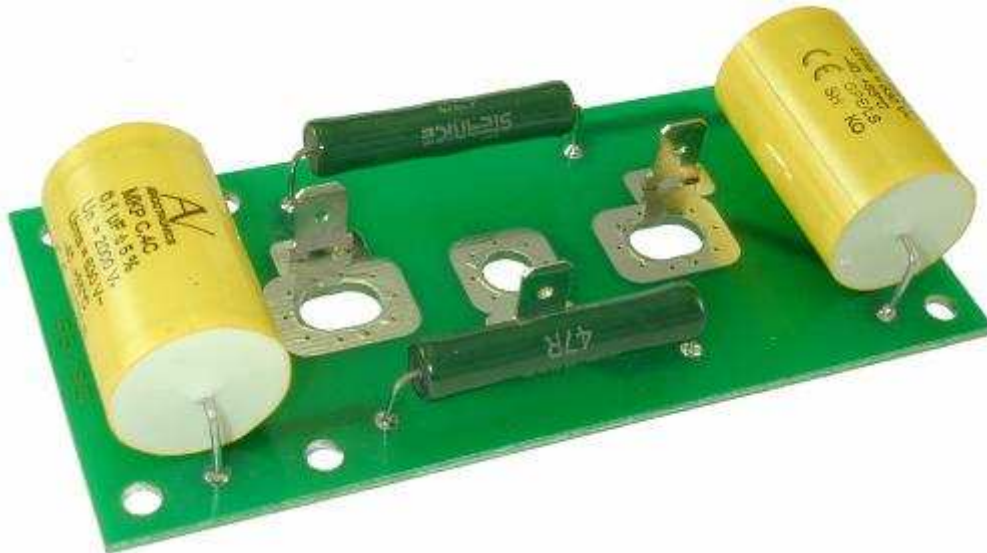
## 2. SPECIFICATIONS

	ARCRC1	ARCRC2	ARCRC3
Resistor	<ul style="list-style-type: none"> <li>✓ Wirewound vitreous enamelled welded resistor Type RB60</li> </ul>	<ul style="list-style-type: none"> <li>✓ Wirewound vitreous enamelled welded resistor Type RB60</li> </ul>	<ul style="list-style-type: none"> <li>✓ Wirewound axial lead welded resistor Type RB58 or RB60</li> <li>✓ Wirewound flat oval resistor 31W mounted on steel and brass spacers</li> </ul>
Capacitor	<ul style="list-style-type: none"> <li>✓ Polypropylene capacitor, max. centre distance 38</li> </ul>	<ul style="list-style-type: none"> <li>✓ Polypropylene capacitor, max. centre distance 56</li> </ul>	<ul style="list-style-type: none"> <li>✓ Polypropylene capacitor, max. centre distance 51</li> </ul>
Circuit	<ul style="list-style-type: none"> <li>✓ 2 channels, 1 common point</li> </ul>	<ul style="list-style-type: none"> <li>✓ 2 channels, 1 common point</li> </ul>	<ul style="list-style-type: none"> <li>✓ 1 channel</li> </ul>
Fixing	<p><b>Direct connection</b></p> <ul style="list-style-type: none"> <li>✓ With steel hexagon spacer male/female M5 or M6</li> </ul> <p><b>Indirect connection</b></p> <ul style="list-style-type: none"> <li>✓ male/female M4, M5 or M6 insulator</li> <li>✓ Connection by wiring equipped with 6.35 faston terminal connectors.</li> </ul>	<p><b>Direct connection</b></p> <ul style="list-style-type: none"> <li>✓ With steel hexagon spacer male/female M8</li> </ul> <p><b>Indirect connection</b></p> <ul style="list-style-type: none"> <li>✓ male/female M4, M8 insulator</li> <li>✓ Connection by wiring equipped with 6.35 faston terminal connectors.</li> </ul>	<p><b>Direct connection</b></p> <ul style="list-style-type: none"> <li>✓ The RC input (potential) is directly connected on the heatsink rail.</li> <li>✓ The RC output (2<sup>nd</sup> potential) is connected by wiring equipped with 6.35 faston terminal connectors.</li> </ul>

All information included in this document is Arcel's or its respective authors' property. Therefore, any reproduction, use, adaptation, modification, integration, translation, commercial use, in whole or in part, by any means or any form (electronic, written or verbal) is forbidden, without prior written permission of Arcel or its respective authors.



**ARCRC1 for module type M1 and M2**

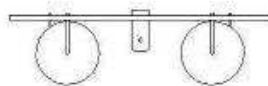
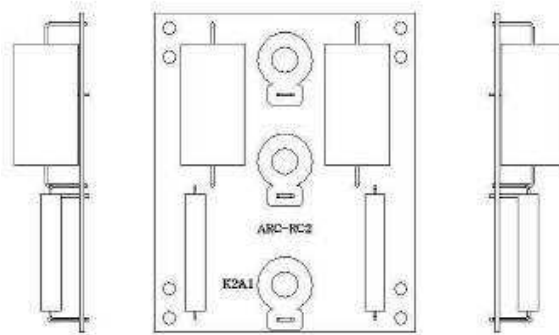
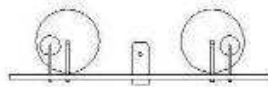
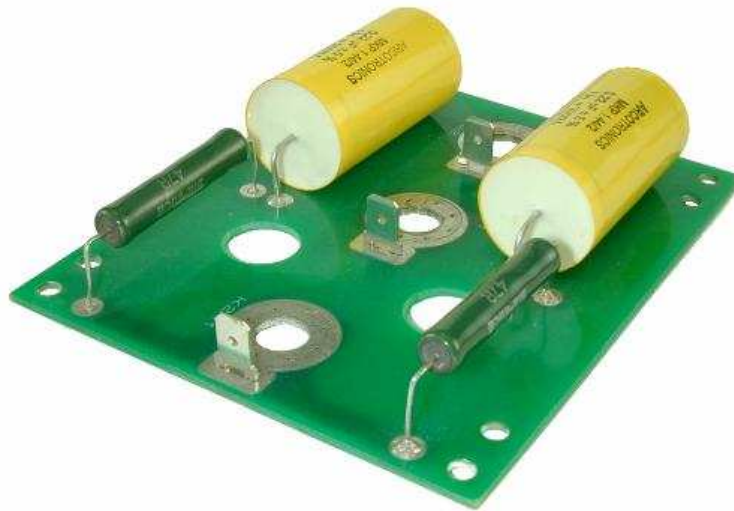


Reference	Description	Qty	Value of resistor	Qty	Value of capacitor
0018865	ARCRC1 RC snubber	2	47Ω 7 W	2	0.1µF 630Vac

All information included in this document is Arcel's or its respective authors' property. Therefore, any reproduction, use, adaptation, modification, integration, translation, commercial use, in whole or in part, by any means or any form (electronic, written or verbal) is forbidden, without prior written permission of Arcel or its respective authors.



**ARCRC2 for module type M3 and M4**

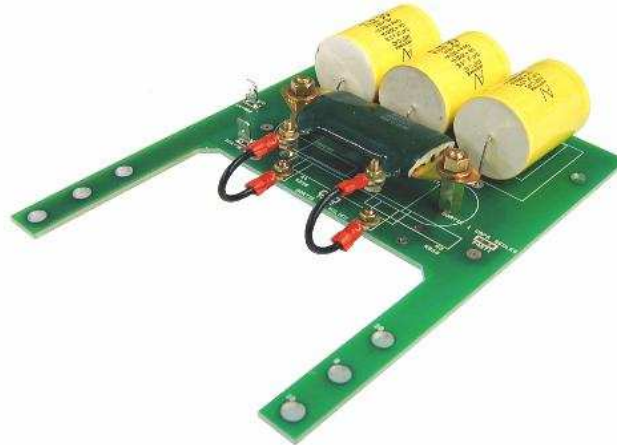


Reference	Description	Qty	Value of resistor	Qty	Value of capacitor
0018866	ARCRC2 RC snubber	2	47Ω 7W	2	0.22µF x 630Vac

All information included in this document is Arcel's or its respective authors' property. Therefore, any reproduction, use, adaptation, modification, integration, translation, commercial use, in whole or in part, by any means or any form (electronic, written or verbal) is forbidden, without prior written permission of Arcel or its respective authors.



**ARCRC3 for components type « press-pack »**

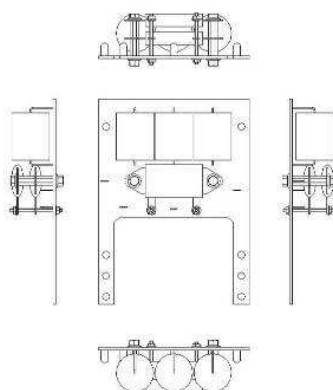


Reference	Voltage range	Current range	Marks	Description	Value	Code
ARCRC3-A VAR. 1 0023228 TYPE 5	0-250	250-1000A	C1, C3	POLYPROPYLENE CAPACITOR	0.470μF-630V	0000543
			R2,R3	RB60 8W RESISTOR	5.6 OHMS	0023226
			FAST0	TAB FOR CI 6.35*0.8	6.35*0.8	0018864
			FAST3	TAB FOR CI 6.35*0.8	6.35*0.8	0018864
ARCRC3-A VAR. 2 0023229 TYPE 6	0-240V	1000-2000A	C3	POLYPROPYLENE CAPACITOR	1.5μF-450V	0023227
			R3	RB60 8W RESISTOR	5.6 OHMS	0023226
			FAST0	TAB FOR CI 6.35*0.8	6.35*0.8	0018864
			FAST2	TAB FOR CI 6.35*0.8	6.35*0.8	0018864
ARCRC3-A VAR. 3 0023230 TYPE 7	250-400V	250-1000A	C3	POLYPROPYLENE CAPACITOR	0.470μF-630V	0000543
			R1	SRE 31W RESISTOR	18 OHMS	0023213
			FAST0	TAB FOR CI 6.35*0.8	6.35*0.8	0018864
			FAST3	TAB FOR CI 6.35*0.8	6.35*0.8	0018864
ARCRC3-A VAR. 4 0023231 TYPE 8	400-700V	250-1000A	C3	POLYPROPYLENE CAPACITOR	0.47μF-630V	0000541
			R1,R'1	IN SERIES SRE 31W RESISTOR	18 OHMS	0023213
			FAST0	TAB FOR CI 6.35*0.8	6.35*0.8	0018864
			FAST3	TAB FOR CI 6.35*0.8	6.35*0.8	0018864

All information included in this document is Arcel's or its respective authors' property. Therefore, any reproduction, use, adaptation, modification, integration, translation, commercial use, in whole or in part, by any means or any form (electronic, written or verbal) is forbidden, without prior written permission of Arcel or its respective authors.



**ARCRC3 for components type « press-pack »**

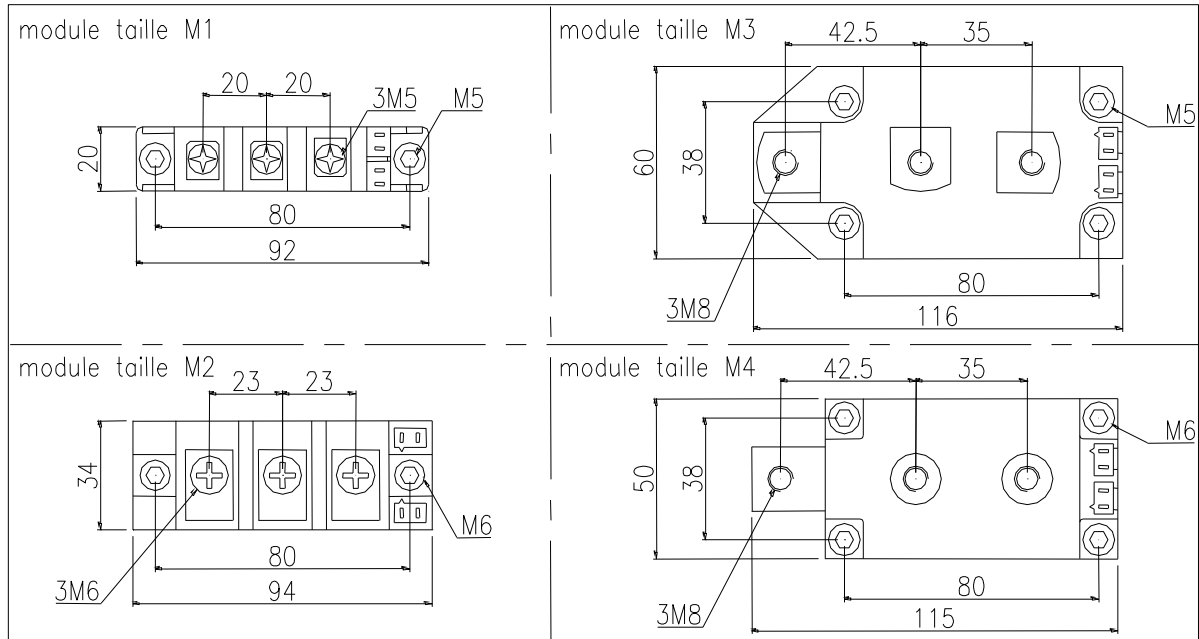


Reference	Voltage Range	Current Range	Marks	Description	Value	Code
ARCRC3-A VAR. 5 0023232 TYPE 9	0-250V	1000-2000A	C1, C3, C5	POLYPROPYLENE CAPACITOR	1.5µF-450V	0023227
			R1,R'1	PARALLEL SRE 31W RESISTOR	6.8 OHMS	0023225
			FAST0	TAB FOR CI 6.35*0.8	6.35*0.8	0018864
			FAST3	TAB FOR CI 6.35*0.8	6.35*0.8	0018864
ARCRC3-A VAR. 6 0023233 TYPE 10	240-400V	1000-2000A	C1, C3, C5	POLYPROPYLENE CAPACITOR	0.470µF-630V	0000543
			R1,R'1	PARALLEL SRE 31W RESISTOR	18 OHMS	0023213
			FAST0	TAB FOR CI 6.35*0.8	6.35*0.8	0018864
			FAST3	TAB FOR CI 6.35*0.8	6.35*0.8	0018864
ARCRC3-A VAR. 7 0023234 TYPE 11	400-700V	1000-2000A	C1, C3, C5	POLYPROPYLENE CAPACITOR	0.470µF-630V	0000543
			R1, R'1, R''1	IN SERIES SRE 31W RESISTOR	6.8 OHMS	0023225
			FAST0	TAB FOR CI 6.35*0.8	6.35*0.8	0018864
			FAST3	TAB FOR CI 6.35*0.8	6.35*0.8	0018864
ARCRC3-A VAR. 9 0023326	400-700V	1000-2000A	C1, C3	POLYPROPYLENE CAPACITOR	0.470µF-630V	0000543
			R1, R'1	PARALLEL SRE 31W RESISTOR	18 OHMS	0023213
			FAST0	TAB FOR CI 6.35*0.8	6.35*0.8	0018864
			FAST3	TAB FOR CI 6.35*0.8	6.35*0.8	0018864

All information included in this document is Arcel's or its respective authors' property. Therefore, any reproduction, use, adaptation, modification, integration, translation, commercial use, in whole or in part, by any means or any form (electronic, written or verbal) is forbidden, without prior written permission of Arcel or its respective authors.



### 3. OUTLINE DRAWINGS



 Before printing think about **environment and costs** ! N'imprimez ce document que si nécessaire.

**CAUTION:** ARCEL reserves the right to make modifications to its technical data and product specifications at any time without prior notice.

All information included in this document is Arcel's or its respective authors' property. Therefore, any reproduction, use, adaptation, modification, integration, translation, commercial use, in whole or in part, by any means or any form (electronic, written or verbal) is forbidden, without prior written permission of Arcel or its respective authors.

