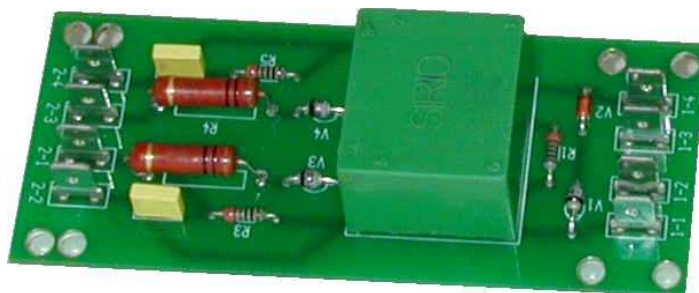

ARCTI-CP



Triggering board for thyristors

The ARCTI-CP board enables to dispatch control pulses to 2 thyristors.

A pulse transformer ensures the isolation between the power and the control and between the 2 outputs.



All information included in this document is Arcel's or its respective authors' property. Therefore, any reproduction, use, adaptation, modification, integration, translation, commercial use, in whole or in part, by any means or any form (electronic, written or verbal) is forbidden, without prior written permission of Arcel or its respective authors.



CONTENTS

1. Electrical Specifications 3
 1.1. Pulse transformer 3
2. Electrical Diagram 3
3. Mecanical Specifications 4
4. Notes 5

All information included in this document is Arcel's or its respective authors' property. Therefore, any reproduction, use, adaptation, modification, integration, translation, commercial use, in whole or in part, by any means or any form (electronic, written or verbal) is forbidden, without prior written permission of Arcel or its respective authors.



1. ELECTRICAL SPECIFICATIONS

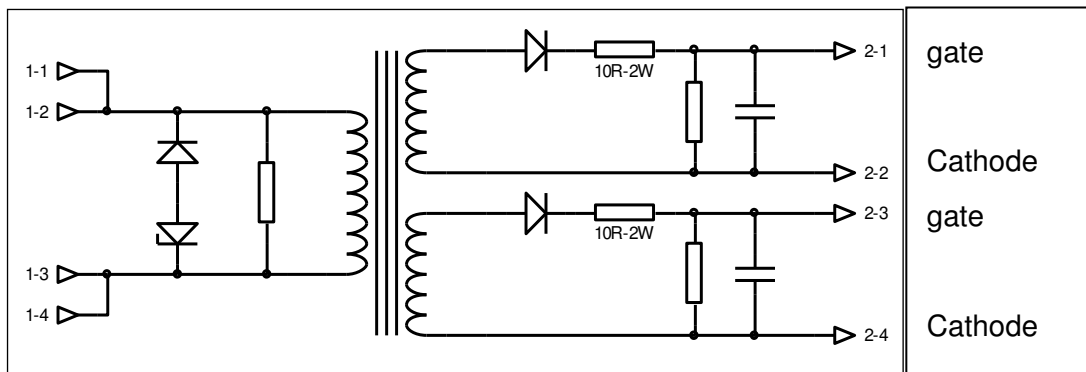
The ARCTI-CP is normally tropicalised.

1.1. Pulse transformer

Unless otherwise specified all data are given for 25°C.

Symbol	Parameters	Min.	Typ.	Max.	Unit
n	Transformation ration		1:1:1		
$\int U \cdot dt$	Tension-time area ⁱ		1000		μVs
Ts	Rise time to secondary ⁱⁱ			1	μs
I _{max}	Maximum peak current		2		A
LP	Inductance to primary		5		mH
CK	Capacitance coupling ⁱⁱⁱ		190		pF
RP	Resistance of the primary winding		0.4		Ω
RS	Resistance of the secondary windings		0.4		Ω
UP	Dielectric test voltage ^{iv}		3		kVAC
Uis	Maximum operating voltage ^v		380		VAC

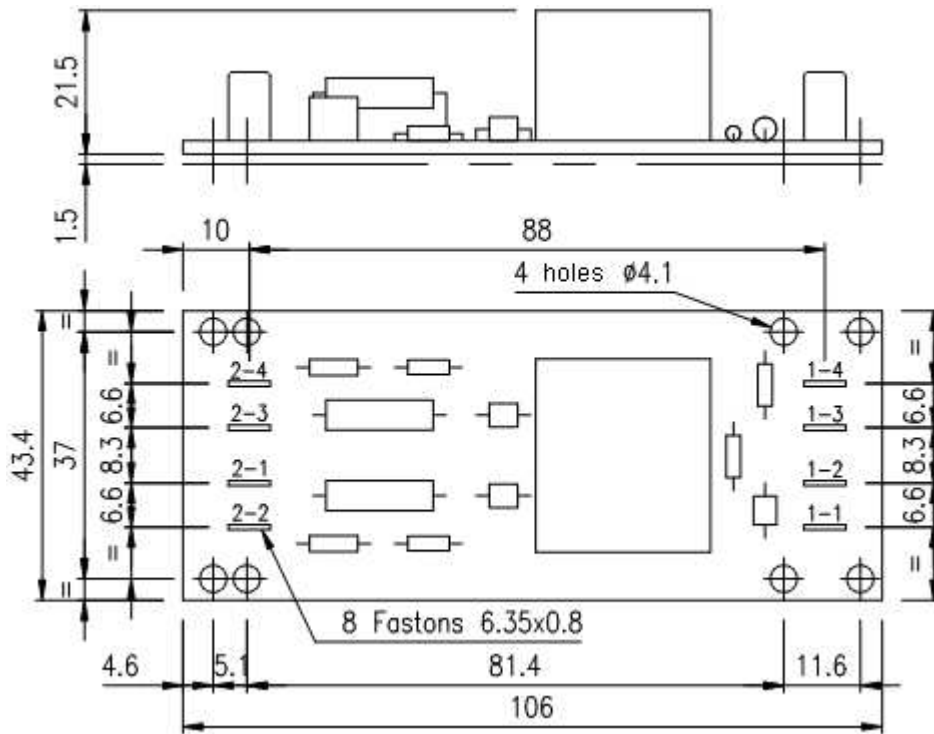
2. ELECTRICAL DIAGRAM



All information included in this document is Arcel's or its respective authors' property. Therefore, any reproduction, use, adaptation, modification, integration, translation, commercial use, in whole or in part, by any means or any form (electronic, written or verbal) is forbidden, without prior written permission of Arcel or its respective authors.



3. MECHANICAL SPECIFICATIONS



Nota : Connection with "FASTON" 6.3*0.8mm terminals.

Transformer housing self-extinguishing (UL94 homologation), vacuum impregnation.

All information included in this document is Arcel's or its respective authors' property. Therefore, any reproduction, use, adaptation, modification, integration, translation, commercial use, in whole or in part, by any means or any form (electronic, written or verbal) is forbidden, without prior written permission of Arcel or its respective authors.



4. NOTES

 Before printing think about **environment and costs!** N'imprimez ce document que si nécessaire.

CAUTION: ARCEL se réserve le droit d'apporter des modifications à sa documentation technique sans avertissement au préalable. Ces documents n'ont aucun caractère contractuel.

- ⁱ Minimum « tension-time » area which can be transferred to the off-load secondary, in case of unipolar pulses.
- ⁱⁱ Rise time of the current pulse to the secondary with an operating current equal to I_{max} .
- ⁱⁱⁱ Coupling capacitance between 2 windings.
- ^{iv} Between 2 windings, at 50Hz - 1 min. Non-repetitive test.
- ^v Maximum operating voltage allowed between 2 windings.

All information included in this document is Arcel's or its respective authors' property. Therefore, any reproduction, use, adaptation, modification, integration, translation, commercial use, in whole or in part, by any means or any form (electronic, written or verbal) is forbidden, without prior written permission of Arcel or its respective authors.

