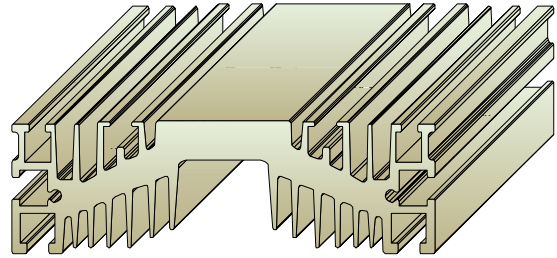
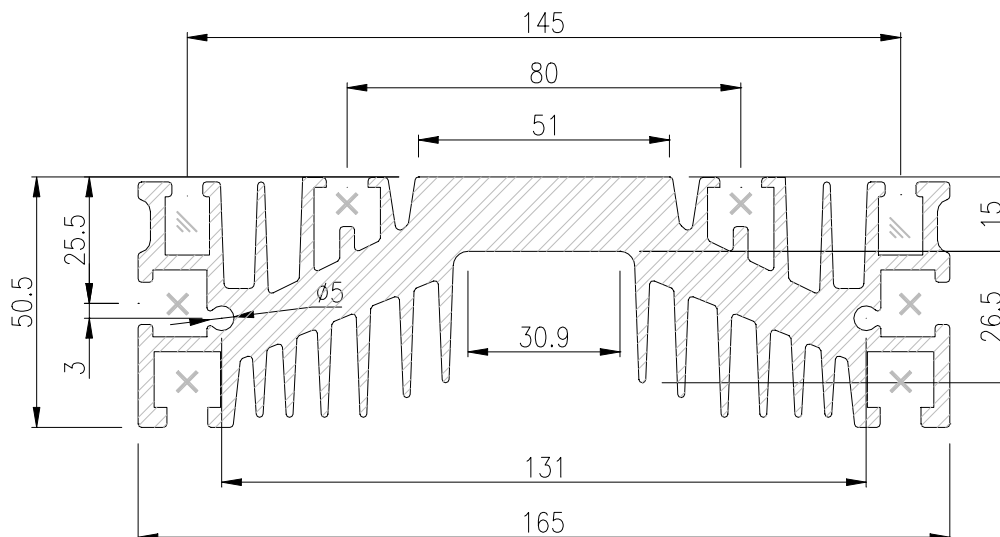


AR72

- ✓ Heatsink for capsule devices
- ✓ Weight : 9,5 Kg/m
- ✓ Application : Single and double side cooling
natural and air forced cooling
- ✓ Plating : contact us
- ✓ Available length on stock : 1650 mm
- ✓ Machining and assemblies on request



Dimensions

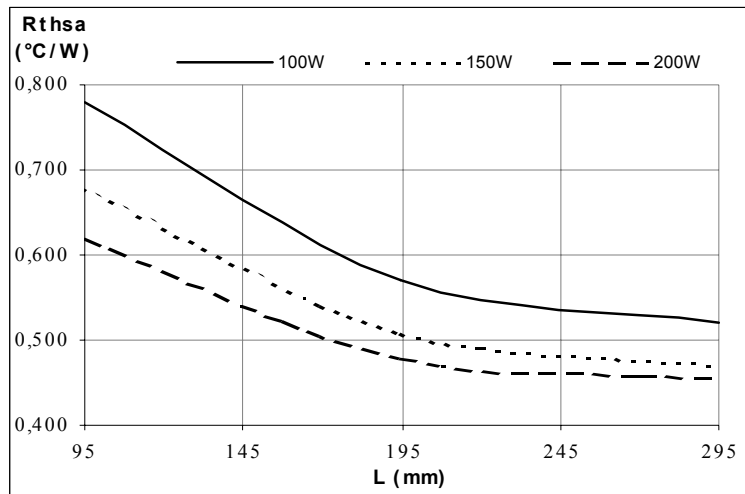


- ▨ Mounting channel for M6 screws
- X Mounting channel for M8 screws

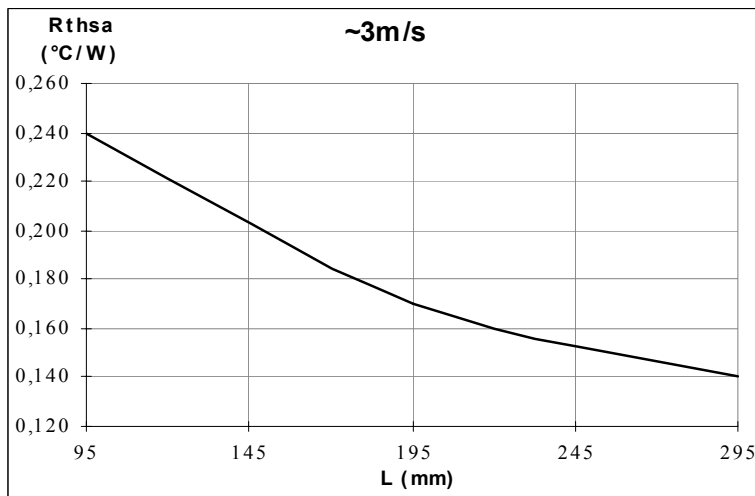
Approximate scale : 2/3.

Thermal Resistance

Natural Convection



Forced Air



Double Side Cooling

CAUTION :

ARCEL reserves the right to make modifications to its technical data and product specifications at any time without prior notice. Thermal resistances are given as information. Thermal resistance depend on several parameters, thus exact value of thermal resistance can only be determined by direct measurement for the given configuration.

For more information :

ARCEL
2, rue des Aulnes
Z.I. du Tronchon
F-69410 Champagne-au-Mont-d'Or

☎ +33 478 350 221
Fax : +33 478 356 954
Email : info@arcel.fr