

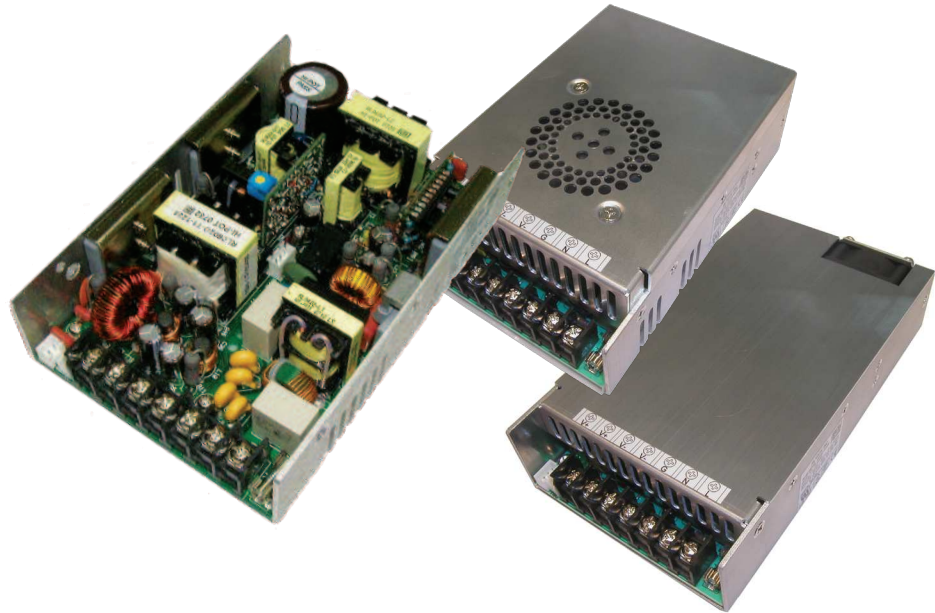
# LV320D Series

250~300 Watt U-Frame Switching Power Supply  
Dual Outputs ranging from 5~48 VDC



## Product Features:

- Universal AC input with Power Factor Correction
- Small Size:
  - only 6.00 x 4.00 x 1.50" (U-Frame)
  - only 7.00 x 4.00 x 1.60" (End-Mount Fan Package)
  - only 6.00 x 4.00 x 2.00" (Top-Mount Fan Package)
- Optional -40~+75°C Operating Temperature Range
- Price competitive design
- Signals including Power Good & Fan
- Auxiliary Fan Output Function
- EN61000-3-2 / IEC100-3-2 Compliant
- Worldwide Safety Approvals
- EN55022 & FCC Class B Emissions
- CE Mark



## INPUT SPECIFICATIONS:

VOLTAGE	Universal VAC Input38 (90-264 VAC)
FREQUENCY	47-63Hz
INRUSH	35 @ 115 VAC / 70A @ 230VAC (Max Cold Start)
CURRENT	8A @ 100 VAC / 4A @ 200 VAC (Max Continuous)
PROTECTION	Single 8A Fuse / 250 VAC
LEAKAGE	1500uA Max @ 264 VAC
HOLD-UP	20ms Minimum (80% Load)
HARMONICS	EN61000-3-2 Class D Compliant

## OUTPUT SPECIFICATIONS:

ADJUSTMENT RANGE	±5% (Minimum)
MINIMUM LOAD	10% on V1 Only
LINE REGULATION	±1% Max over entire input range
LOAD REGULATION	±1% maximum
RIPPLE	±1% or 50mV pk-k max, whichever is greater (20MHz)
SETPOINT ACCURACY	±1%
OVER CURRENT	110~140% (Auto-Recovery), V1 Only
OVER VOLTAGE PROTECTION	Latches >130% of Vnom (V1 Only)

## STATUS & CONTROL SPECIFICATIONS:

POWER SUPPLY ON	Green LED on PCB
FAN FAIL	High Signal indicates Fan Failure (15V / 5mA Sink)
AUXILIARY FAN	12 V @ 300mA

## GENERAL SPECIFICATIONS:

OPERATING TEMPERATURE	0 ~ +70°C (Derate 2.5% per °C above 50°C), Option "I" = -40~+75°C
STORAGE TEMPERATURE	-40 ~ +85°C
COOLING	18cfm Airflow for Full Load
HUMIDITY	5-95% (non-condensing)
VIBRATION	10-55Hz, 2G, 3Min Period, / 60 min each (3 axes)
SHOCK	20G Peak Acceleration
RELIABILITY	>100k Hrs (according to MIL-HBK-217F) at 30°C

## EMISSIONS:

EMISSIONS	EN55022 Level B (Conducted)
ELECTROSTATIC DISCHARGE	EN61000-4-2, 4kV Contact / 8kV Air
RADITED SUSCEPTIBILITY	EN61000-4-3, 26-1000MHz, 10V/M, 80%AM
EFT / BURSTS	EN61000-4-4, 2kV
SURGES	EN61000-4-5, 2kV Earth, 1kV Line-Line
CONDUCTED IMMUNITY	EN61000-4-6, 0.15-800MHz, 10V 80%
VOLTAGE DIPS	EN61000-4-10, 95% Dip & 10ms, 30% Dip & 500ms
VOLTAGE INTERRUPTIONS	EN61000-4-11, 95% reduction, 5ms
FLUCTUATIONS & FLICKER	EN61000-3-3

## SAFETY STANDARDS:

UL / CUL	60950-1
CSA	22.2 No. 60950-1
TUV	EN69050-1
CB	IEC60950-1
CE MARK	Low Voltage Directive



lhvpower.com

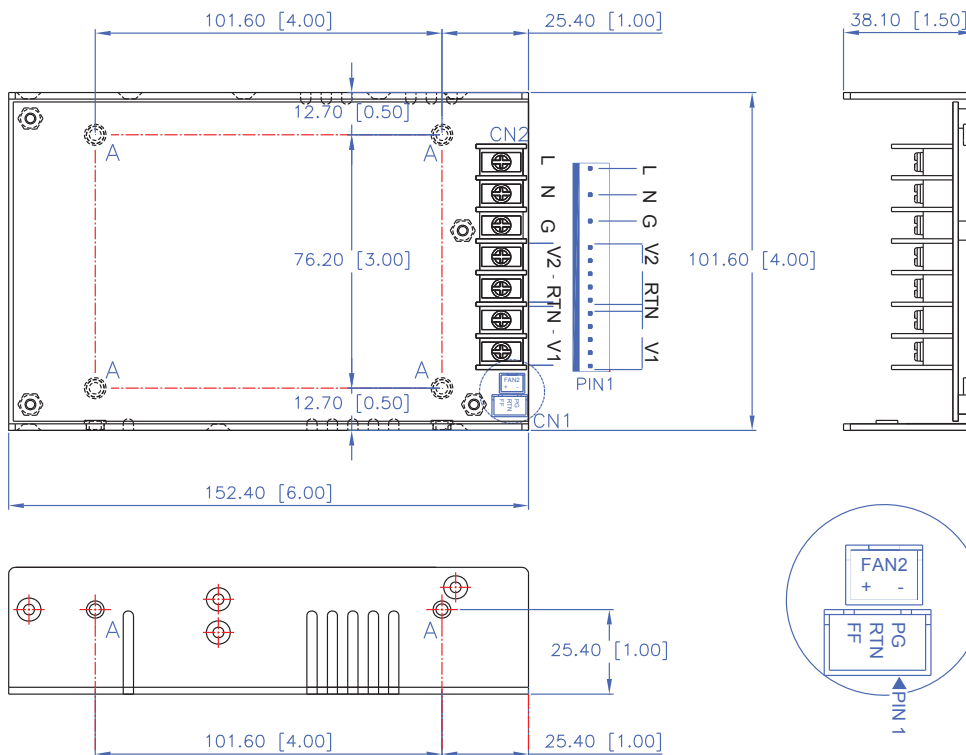
# LV320D Series

250~300 Watt U-Frame Switching Power Supply  
Dual Outputs ranging from 5~48 VDC

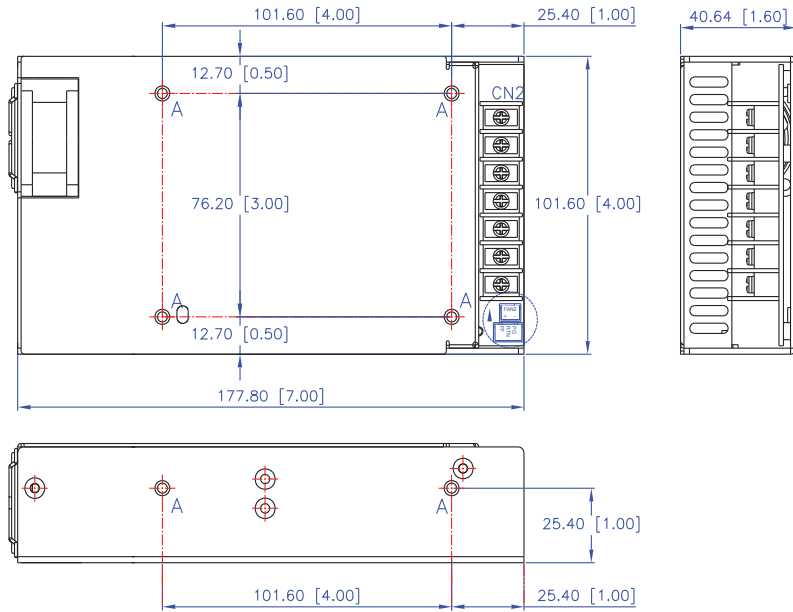
PART #	OUTPUTS				NOTE
	V1 / A1	V2 / A2	V3 / A3	V4 / A4	
LV320Dx-0512	+5V 30A	+12V 16.67			250 Watts Max Continuous Output Power
LV320Dx-0524	+5V 30A	+24V 8.33A			250 Watts Max Continuous Output Power
LV320Dx-0548	+5V 30A	+48V 4.16A			250 Watts Max Continuous Output Power
LV320Dx-1224	+12V 16.67A	+24V 8.33A			300 Watts Max Continuous Output Power

- Replace "x" with the options below to designate preferred mechanical package: U = U-Frame Package F = Top-Mount Fan E = End Mount Fan
- Standard Connections are Terminal Block. Add the Suffix "M" to designate Molex type connectors.
- (CN2) Howder Terminal block Part No. HB-95-7P or Mating Molex Part No. 09-91-1600 (16 pin).
- (CN1) Mating JST XHP-3 or equivalent (CHYAO SHIUNN JS-2001-03); Mating Pins: JST SXH-002T-P0.6 FOR AWG 30 to 26.
- (FAN2) Fan driver connector: Mating connector is a Molex P/N 22-01-1022 ( 2 pins 0.98 pitch) or equivalent with Series 2759 or 5159 terminals.
- Mounting Inserts: 8 Places M4X0.7. Maximum Penetration 4mm sees outline drawing for location.

## U-Frame Package:



## End Mount Fan Package:



## Top Mount Fan Package:

